



Installation and User Manual

**Model:** **IK52** (2240-2241-2250)



KITCHEN/LAUNDRY SINKS



BATHROOM BASINS



TAPWARE



RANGEHOODS

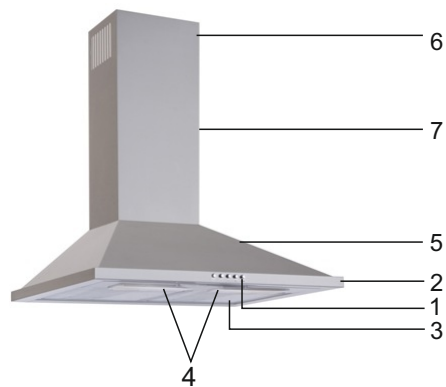


COOKTOPS



WASTE DISPOSALS

## INTRODUCTION OF DEVICE



2240-2241-2250



2153

Picture 1

1. Control switches
2. Front panel
3. Aluminum cassette filter (dishwasher safe)
4. Lighting
5. Body
6. Internal chimney
7. External chimney

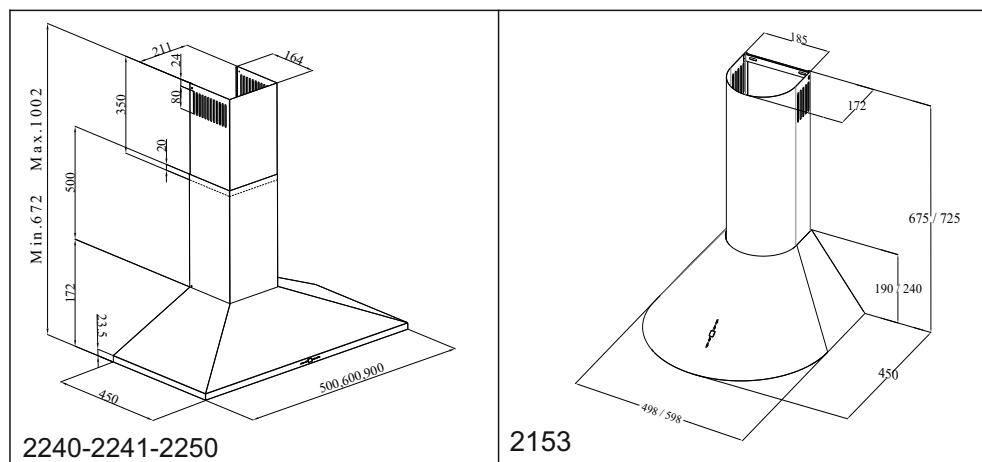


Figure 1

	Check electric connection (Voltage of the electric network should be between 220-240V, cooker hood should be connected to grounded)	Check motor switch (Motor switch should be at on position)	Check motor switch (Motor switch should be at on position)	Check aluminum filter (Aluminum Cassette Filter should be washed once a month at normal conditions.)	Check lamps (Lamps should be firm.)	Check outlet (Outlet should be open)	Check Carbon Filter (Carbon Filter should be replaced with a new one each 2-3 months at the models with Carbon Filter at normal conditions)
Cooker-hood does not work	✓	✓					
Illumination Lamp does not work	✓		✓		✓		
Cooker-hoods air suction is weak				✓		✓	✓
Cooker-hood does not direct air out (at places without chimney)				✓			✓

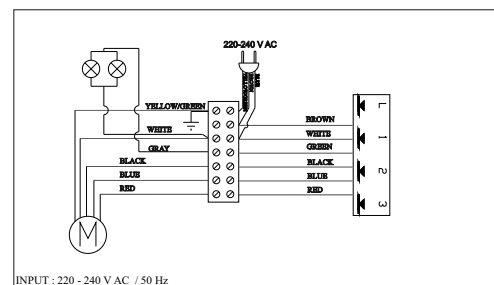
### If the product does not work:

#### Before you contact the technical service:

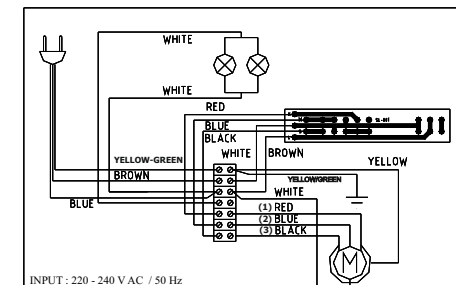
Make sure that the product is plugged in and the electric fuse of the electric wiring is running. Do not take any action that will damage the product. Before you contact with technical service, check your cooker hood according to Table 1. If the problem goes on, contact the seller or the most authorized service.

#### In order to use the cooker hood efficiently:

- \*Use ducts of 150/120mm diameter and as few bends as possible when you make the chimney connection.
- \*Pay attention to aluminum filters' cleaning periods and changing periods of carbon filters.
- \*Use the product at middle speed if high suction power is not necessary.
- \* In order to ensure that ventilation occurs correctly, windows of the kitchen should be kept



PUSH BUTON

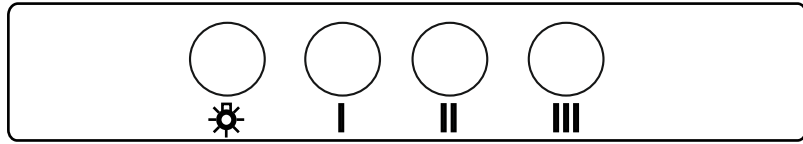


SLIDER BUTON

**Speed Choice :**

Your product has 3 speed levels. You may operate your product by pressing control buttons. Please select the desired speed button. Pressing same buton would stop the device.

**Button Positions**



**Illumination**

Your product had one lamp and a buton to control illumination. Press on lamp button in order to start illumination.

**TECHNICAL SPECIFICATIONS**

Feeding Voltage	220-240 V 50Hz
Motor Isolation Class	F
Isolation Class	CLASS I

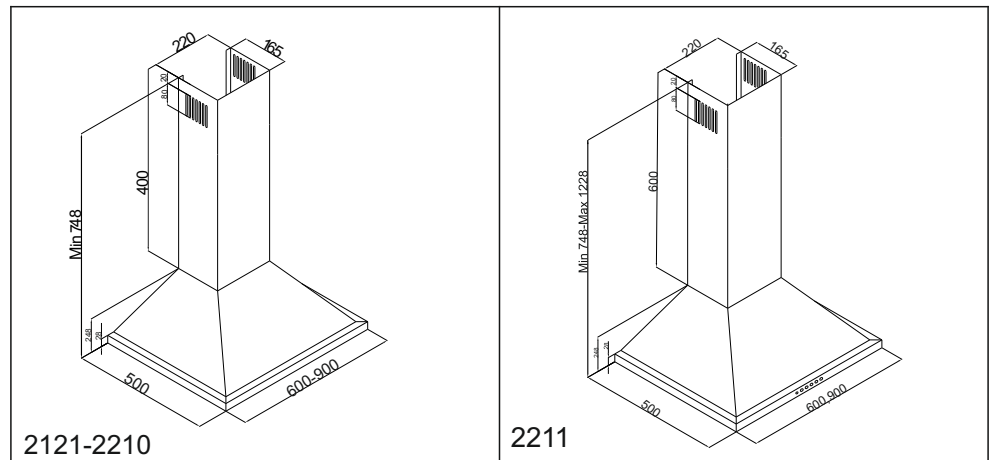


2121-2210



2211

1. Control switches
2. Front panel
3. Aluminum cassette filter (dishwasher safe)
4. Lighting
5. Body
6. Internal chimney
7. External chimney



## WARNINGS AND SAFETY PRECAUTIONS

\*This product is designed for usage at home.

\*Your products usage voltage is 220-240 Volts~50Hz

\*Grounded plug is used at your product's electric network cable. This cable should definitely be plugged in a grounded socket.

\*All electrical networks should be set by a qualified electrician.

\*Installation applied by unauthorized people may cause the product to operate at low performance, damage of the product and accidents.

\*Power supply cable should not be exposed to press or smash during montage. Network cordon should not be placed near the cookers; it may cause fire if it melts.

\*Do not plug into the socket before installation of the product is completed.

\*Keep the plug at a reachable place so that you can unplug it in case of any danger.

\*Do not touch the lamps when they are on for long time. Lamps may hurt your hand as they will be hot.

\*Kitchen cooker hoods are designed for usage during normal and home-style cooking. If it is used for other purposes, failure risk occurs and it will be out of warranty.

\*Follow applicable rules and directions for passing out outlet air. (This warning is not valid for usage without chimney.)

\*Flaming foods should not be cooked under the product.

\*Start your product after you put pot, fry-pan etc. on the hob. Otherwise high temperature may cause some parts of your product to get deformed.

\*Before you take pot, fry-pan etc. from the hob, put their lids on.

\*Do not leave hot oil on the hob. Pots that have hot oil in them may cause selfignition.

\*Pay attention to curtains and covers during cooking of meals like frying because oil may flare up.

\*Make sure that filters are changed in convenience. Filters that are not changed at appropriate time has risk of causing fire due to oil that will be gathered on them.

\*Do not use filter materials that are not flame resistant instead of filter.

\*Do not operate your product without aluminum filter; do not remove filters when the product is on.

\*In case of flame, cut power of the product and the cooking appliances. (Cut power of the product by plugging it off the socket).

\*Your product may cause fire risk if cleaning is not applied periodically.

\*Cut power of the product before maintenance process. (Cut power of the device by unplugging it)

\*When chimney hood and the appliances working with energy other than electricity are operated at the same time, negative pressure in the room should not be more than 4 Pa (4 x 10<sup>-5</sup> bar)

\*If there is an appliance working with fuel or gaseous fuel at the same place with your hood, this appliance's exhaust should be isolated from its volume totally and the appliance should be hermetic type.

\*When chimney connection is applied to your product, use ducts of 150mm or 120mm diameter. Duct connection should be as short as possible and should include few bends.

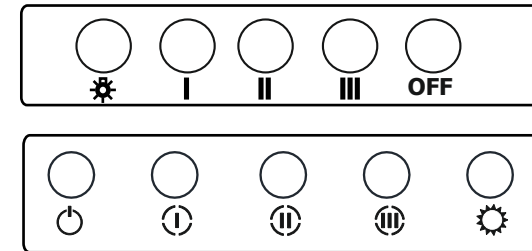
## Usage of the Control Panel

### Speed Selection:

Your product has 3 ventilation speed level. Depending on the cooking and frying steam , you may use your device with low- medium or high speed.

To operate product, press on motor control buttons on the front panel. Press on OFF button on the control panel to switch the device off. It is advised to run the device and the hob simultaneously so that an air flow could be formed. With this method , the absorbtion power will be affected positively. Keep your hood on for a some longer to ensure odour and steam is absorbed.

### Button Positions



### Illumination

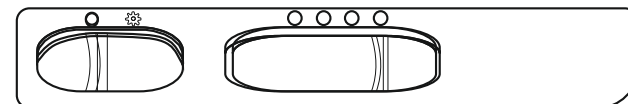
Your product has one lamp and a buton to control illumination. Press on lamp button in order to start illumination.

## Usage of the Control Panel

### Speed Selection

You device has 3 levels of ventilation . Depending on the cooking and frying steam , you should run the device with low- medium or high speed. To run the device , on the front panel there are motor switch and lamp switch. Please select the desired ventilation speed.

### Slider Positions



### Illumination

There are two lamps and one switch that controls the illumination on the device. To turn the lamps on please pres on to the indicated position.

## MAINTENANCE

\*Disconnect electricity connection before maintenance and cleaning process.

\*Aluminum cassette filter holds the dust and the oil in the air.

\*Metal filter should be washed once in a month with hot and soaped water or, if possible, at dishwasher (60C).

\*Take off aluminum cassette filter pressing on springy latches on end point. After cleaning, do not replace before it dries.

\*Outer surface of the cooker hood should be wiped with a wet cloth that is wetted with water or alcohol.

\*Please avoid contact of electronic parts with water or similar materials.

\*Using Inox cleaning and maintenance products available in the market will help your product to perform longer.

**Warning:** Aluminum filters may be washed in the dishwasher. Color of aluminum filters may change after several washings. This is normal and it is not necessary to change the filters.

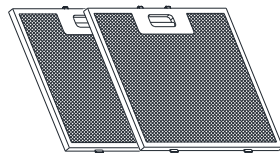
## Efficient Ventilation

In order to ensure correct ventilation, keep your kitchen windows closed.

## IMPORTANT NOTE

Please pay attention when the product is operated at the same time with a product which operates using air and fuel (for instance; heater, water heater etc. which operates using gas, diesel fuel, coal or wood), since cooker hood may affect burning negatively as it directs the air out.

**This warning is not valid for usage without chimney.**



**Washable Aluminum  
Cassette Filter**

\*Keep package materials away from children as they may be dangerous for them.

\*Be sure that your child does not play with the product. Do not allow kids to use your product.

\*If power supply cable is damaged, this cable should be changed by its producer or its service agency or a personnel who is a specialist at the same level in order to prevent a dangerous situation.

**“CAUTION: Accessible parts may become hot when used with cooking appliances”**

**"The appliance is not to be used by children or persons with reduced physical, sensory or mental capabilities, or lack of experience and knowledge, unless they have been given supervision or instruction"**

## Warning about Transportation and Carriage

\*All the materials used at package of your product are suitable for recycling.

\*Please comply with the signs on the product's box during transportation.

\*Hold the holders placed at sides of the box in order to carry your product.

## If you need transportation;

\*Keep the original box.

\*Carry your product in its original box; comply with the carrying signs on the product's box.

## If there is no original package;

\*Do not put heavy material on the chimney hood.

\*Keep the external surface from bash.

\*Pack your product to avoid damages.

## Installation, taking off your product from its package:

\*Check if there is any deformation on your product.

\*Transportation damages and failures should immediately be reported to the transportation responsible.

\*If you notice any damage please report to the seller.

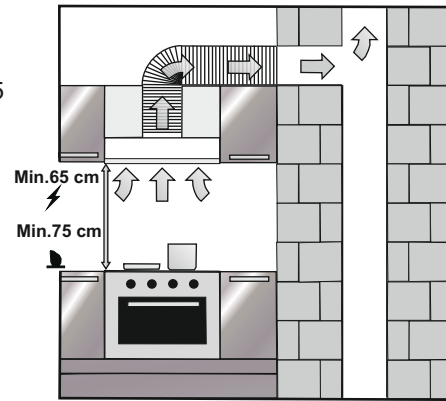
**\*Do not allow children to play with packing material!!!**

\*In case of flame, cut power of the cooker hood and the cooking appliances, cover the flame. Never use water in order to extinguish it.

**Use “MAX 6 A” fuse at cooker hood installment for your security.**

### Place of the Product:

After installation of your product, distance between range hood and electrical hob should be at least 65 cm and gas hobs at least 75cm. **Figure 2**



**Figure 2**

### Installation, taking off your product from its package:

- \*Check if there is any deformation on your product.
- \*Transportation damages and failures should immediately be reported to the transportation responsible.
- \*If you notice any damage please report to the seller.
- \***Do not allow children to play with packing material!!!**

### ASSEMBLY UNDER CLOSET

4 Holes are bored on the wooden plate under the closet by using assembly pattern.  
A chimney outlet hole larger 130 mm is bored on this wooden plate by using assembly pattern.

### INSTALLATION OF THE CHIMNEY HOOD

Paste the montage scheme to the surface where you would like to install your product and drill holes with a Ø8 mm screw machine from the points (A,B,C,D) . To install chimney part, use Ø4 mm driller by taking reference of min./max. height dimensions.

### Carbon Filter Usage

Your product is compatible with one type of carbon filter.

You may see following information on how to use carbon filters.

Before installing or replacing carbon filter, first you should cut your product's power off.

Carbon filters should be replaced with a new one each 3-5 months because it is used at kitchens that does not have chimney outlet.

Carbon filter should never be washed.

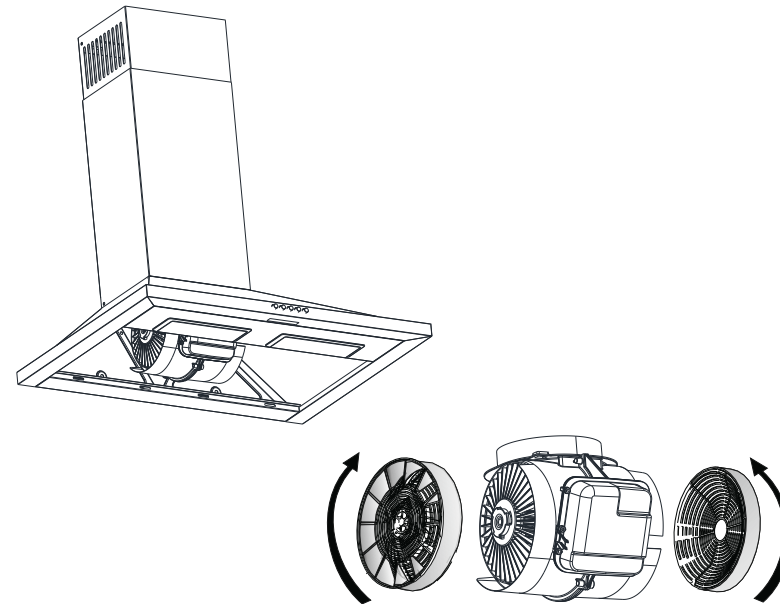
Grease filters should be installed on the product even when carbon filter is not in use. Do not use your product without grease filter.

### Replacing Carbon Filter

It is necessary to install 2 carbon filters to your product.

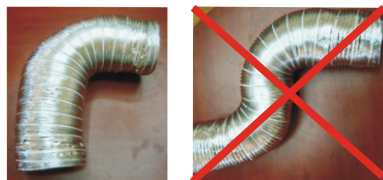
To place the carbon filter, place your filter on connection channels on motor and turn it clockwise.

In order to remove filter, turn it anti-clockwise. **Figure 7**



**Figure 7**

Flections and bends at the aluminium pipe reduce the air absorption power, because of that use less flections and bends as possible. Picture 4



Correct  
False  
Picture 4

### Replacing the Lamps

Cut off the connection of the cooker hood with electricity. Take off the aluminum cassette filter. Take off the failed lamp and replace it with a new one that is of the same rating. (Please wait for the lamps to cool as they might hurt your hand.)

Note: You may purchase the lamps from authorized sellers and after sales services

### Replacing bulb

In order to change the bulb, turn it anti-clockwise and take it off. Replace it with a new one in the same value by turning it in clockwise. Figure 6

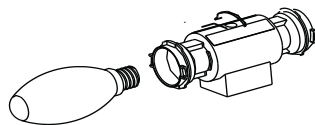


Figure 6

### Functions of the Product

Your hood is compatible for use with our without chimney.

### Usage with chimney

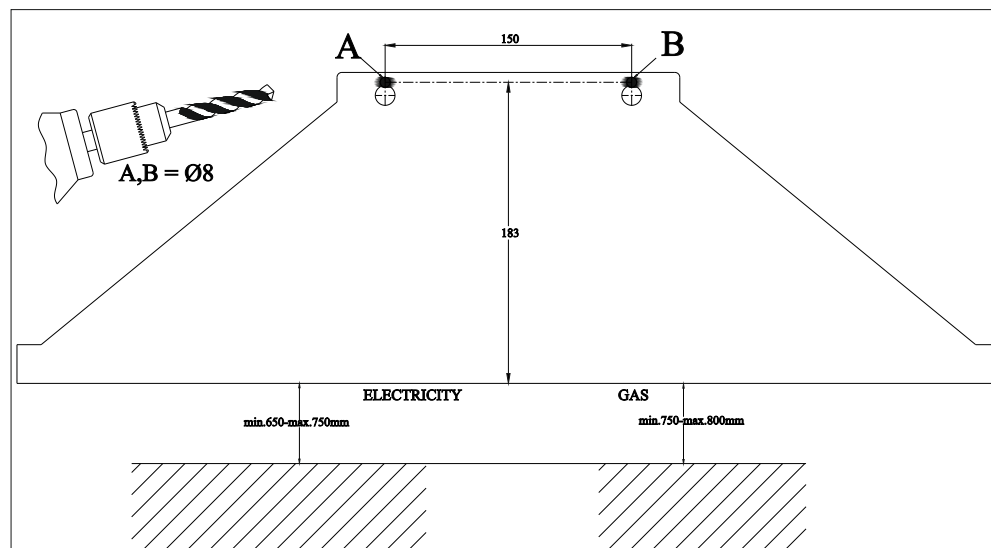
The product should be connected to a chimney that will direct the air out during usage with chimney. In order to achieve best performance, pay attention that the duct system follows the shortest way for connection to the chimney. Your product is produced as it will be appropriate for usage with chimney.

### Attention!!!

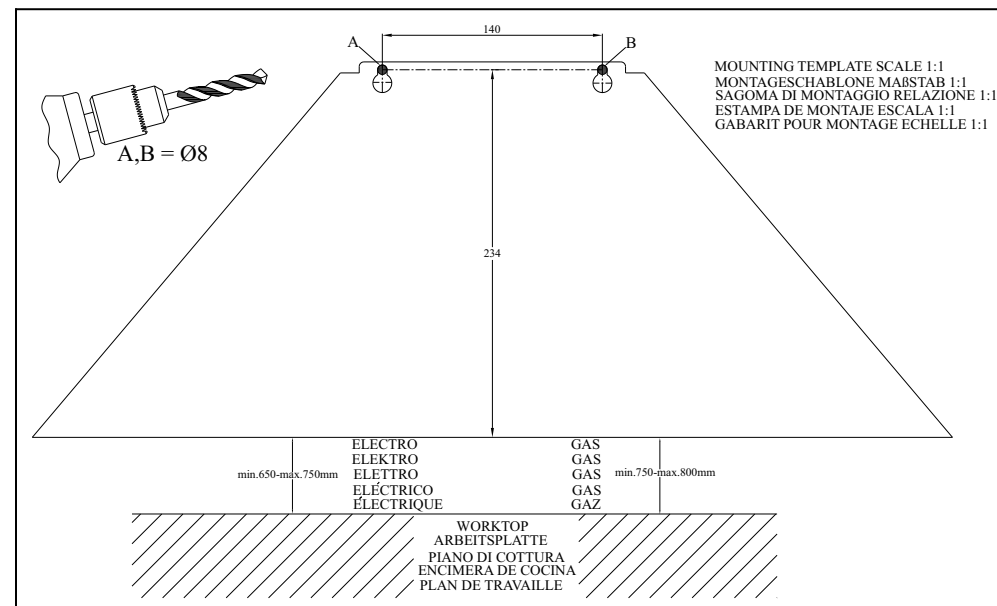
**Outlet of the product should not be connected to air canals that have other smoke as well.**

### Active Carbon Filter

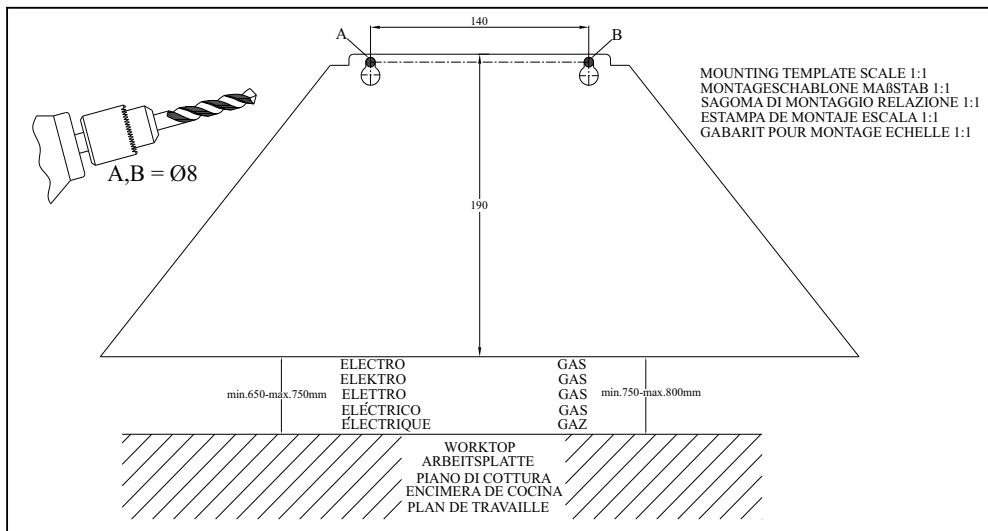
To provide air recirculation where product's chimney air outlet cannot be connected to exterior, it is necessary to use active carbon filter with your product. You may purchase this accessory from authorized sellers and after sales services.



2240-2241-2250 Monting Tamplate



2153/60 Monting Tamplate



**2153/50 Monting Tamplate**

**Nailing Dowels**

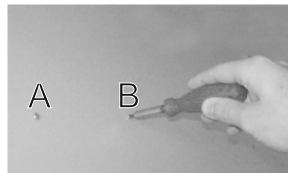
Nail the Ø10 mm dowels to the (A,B,C,D) holes for the hanging screws .  
 For chimney part, fix 2x6 mm dowels to the holes drilled with Ø4 mm . Picture 2



**Picture 2**

**Fixing of the Hanging Screws**

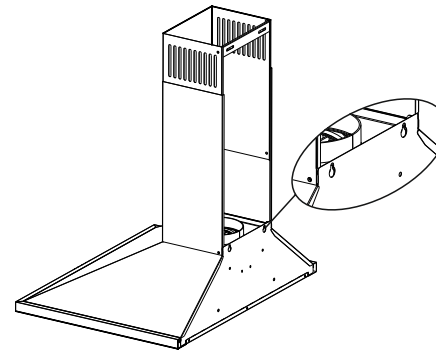
Fix the 5,5x45 screws to the Ø8 dowels (A,B) that you already fixed to the wall.  
 The distance between wall and screw top should be 5mm.  
 Picture 3



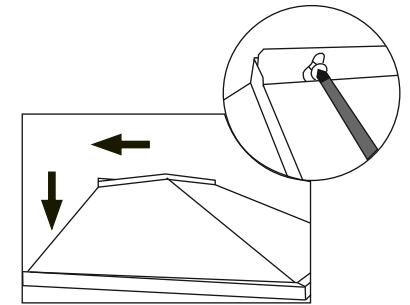
**Picture 3**

**Fixing of the chimney hood**

This model is not available with hanging plate. Install your product from the slot on the backwards and then fix the screws. Figure 3-3a



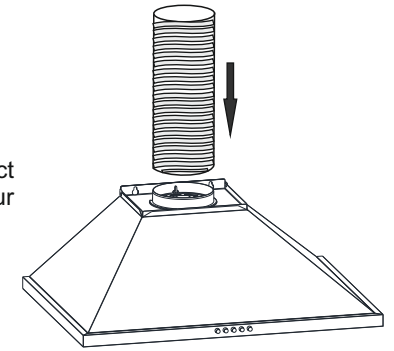
**Figure 3**



**Figure 3a**

**Fixing of the aluminium pipe**

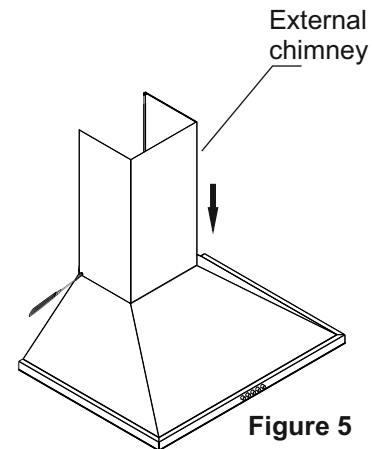
Connect aluminum flexible pipe to outlets on the product and kitchen wall. Ensure connection will not lose while your product is operated on maximum airflow level. Figure 4



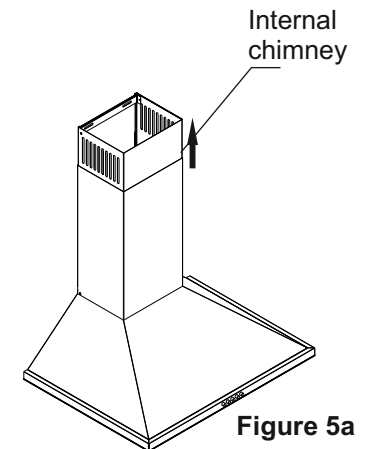
**Figure 4**

Place chimneys over body.

To fix the chimney on body use 3,9x x 9,5 RYSB screws. Figure 5-5a



**Figure 5**



**Figure 5a**