



Rangehood Installation and User Manual

Model: IK82



KITCHEN/LAUNDRY SINKS



BATHROOM BASINS



TAPWARE



RANGEHOODS

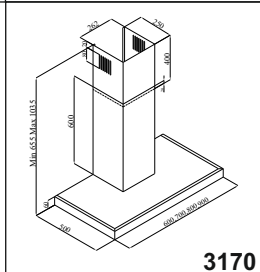
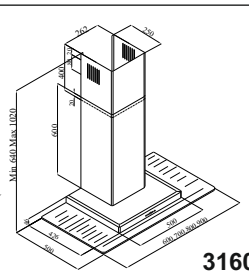
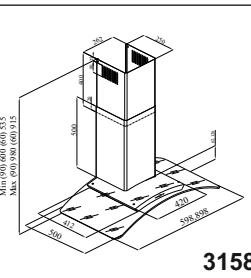
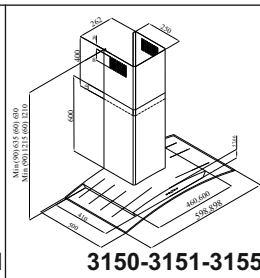
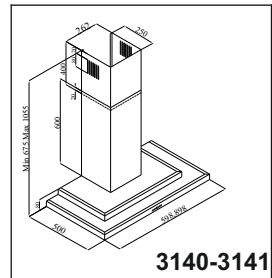
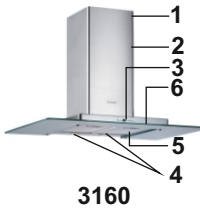
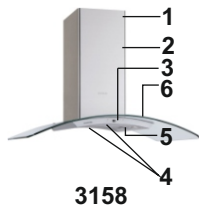
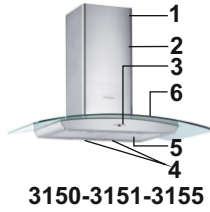
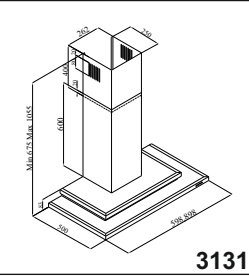
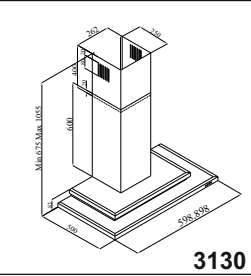
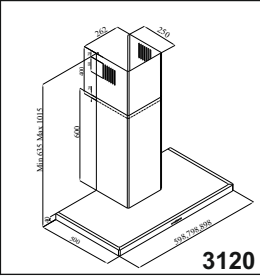
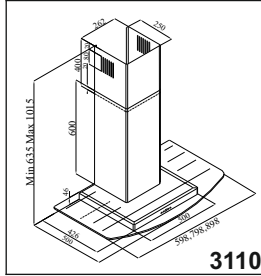


COOKTOPS

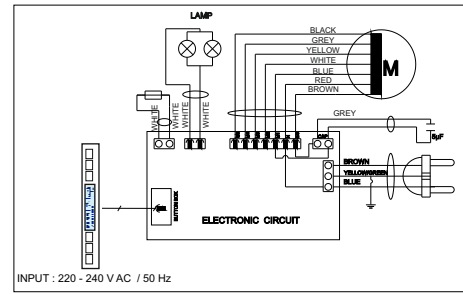
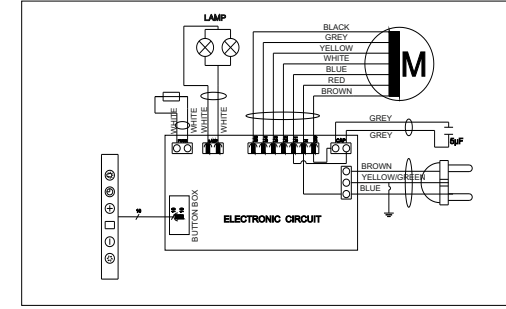
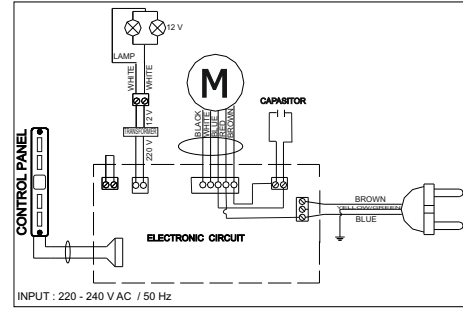
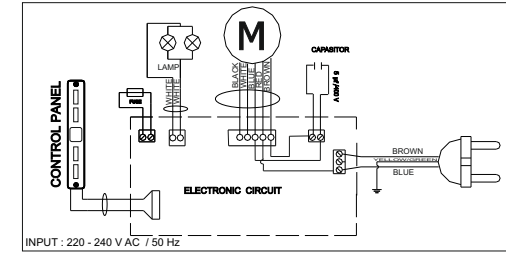
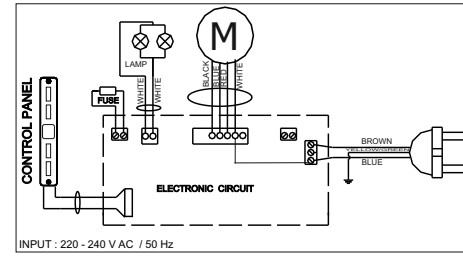


WASTE DISPOSALS

INTRODUCTION OF DEVICE



- 1) Internal Chimney
- 2) External Chimney
- 3) Control Panel
- 4) Cooker Lighting
- 5) Aluminum Cassette Filter
- 6) Tempered Glass



	Check electric connection (Voltage of the electric network should be between 220-240V; cooker hood should be connected to grounded)	Check motor switch (Motor switch should be at on position)	Check motor switch (Motor switch should be at on position)	Check aluminum filter (Aluminum Cassette Filter should be washed once a month at normal conditions.)	Check lamps (Lamps should be firm.)	Check outlet (Outlet should be open)	Check Carbon Filter (Carbon filter should be replaced with a new one each 2-3 months at the models with Carbon Filter at normal conditions)
Cooker-hood does not work	✓	✓					
Illumination Lamp does not work	✓		✓		✓		
Cooker-hoods air suction is weak				✓		✓	✓
Cooker-hood does not direct air out (at places without chimney)				✓			✓

If the product does not work:

Before you contact the technical service:

Make sure that the product is plugged in and the electric fuse of the electric wiring is running. Do not take any action that will damage the product. Before you contact with technical service, check your cooker hood according to Table 1. If the problem goes on, contact the seller or the most authorized service.

In order to use the cooker hood efficiently:

- *Use ducts of 150/120mm diameter and as few bends as possible when you make the chimney connection.
- *Pay attention to aluminum filters' cleaning periods and changing periods of carbon filters.
- *Use the product at middle speed if high suction power is not necessary.
- * In order to ensure that ventilation occurs correctly, windows of the kitchen should be kept

WARNINGS AND SAFETY PRECAUTIONS

- *This product is designed for usage at home.
- *Your products usage voltage is 220-240 Volts~50Hz
- *Grounded plug is used at your product's electric network cable. This cable should definitely be plugged in a grounded socket.
- *All electrical networks should be set by a qualified electrician.
- *Installation applied by unauthorized people may cause the product to operate at low performance, damage of the product and accidents.
- *Power supply cable should not be exposed to press or smash during montage. Network cordon should not be placed near the cookers; it may cause fire if it melts.
- *Do not plug into the socket before installation of the product is completed.
- *Keep the plug at a reachable place so that you can unplug it in case of any danger.
- *Do not touch the lamps when they are on for long time. Lamps may hurt your hand as they will be hot.
- *Kitchen cooker hoods are designed for usage during normal and home-style cooking. If it is used for other purposes, failure risk occurs and it will be out of warranty.
- *Follow applicable rules and directions for passing out outlet air. (This warning is not valid for usage without chimney.)
- *Flaming foods should not be cooked under the product.
- *Start your product after you put pot, fry-pan etc. on the hob. Otherwise high temperature may cause some parts of your product to get deformed.

- *Before you take pot, fry-pan etc. from the hob, put their lids on.
- *Do not leave hot oil on the hob. Pots that have hot oil in them may cause selfignition.
- *Pay attention to curtains and covers during cooking of meals like frying because oil may flare up.
- *Make sure that filters are changed in convenience. Filters that are not changed at appropriate time has risk of causing fire due to oil that will be gathered on them.
- *Do not use filter materials that are not flame resistant instead of filter.
- *Do not operate your product without aluminum filter; do not remove filters when the product is on.
- *In case of flame, cut power of the product and the cooking appliances. (Cut power of the product by plugging it off the socket).
- *Your product may cause fire risk if cleaning is not applied periodically.
- *Cut power of the product before maintenance process. (Cut power of the device by unplugging it)
- *When chimney hood and the appliances working with energy other than electricity are operated at the same time, negative pressure in the room should not be more than 4 Pa (4 x 10⁻⁵ bar)
- *If there is an appliance working with fuel or gaseous fuel at the same place with your hood, this appliance's exhaust should be isolated from its volume totally and the appliance should be hermetic type.
- *When chimney connection is applied to your product, use ducts of 150mm or 120mm diameter. Duct connection should be as short as possible and should include few bends.

*Keep package materials away from children as they may be dangerous for them.

*Be sure that your child does not play with the product. Do not allow kids to use your product.

*If power supply cable is damaged, this cable should be changed by its producer or its service agency or a personnel who is a specialist at the same level in order to prevent a dangerous situation.

“CAUTION: Accessible parts may become hot when used with cooking appliances”

"The appliance is not to be used by children or persons with reduced physical, sensory or mental capabilities, or lack of experience and knowledge, unless they have been given supervision or instruction"

Warning about Transportation and Carriage

*All the materials used at package of your product are suitable for recycling.

*Please comply with the signs on the product's box during transportation.

*Hold the holders placed at sides of the box in order to carry your product.

If you need transportation;

*Keep the original box.

*Carry your product in its original box; comply with the carrying signs on the product's box.

If there is no original package;

*Do not put heavy material on the chimney hood.

*Keep the external surface from bash.

*Pack your product to avoid damages.

Installation, taking off your product from its package:

*Check if there is any deformation on your product.

*Transportation damages and failures should immediately be reported to the transportation responsible.

*If you notice any damage please report to the seller.

***Do not allow children to play with packing material!!!**

*In case of flame, cut power of the cooker hood and the cooking appliances, cover the flame. Never use water in order to extinguish it.

Use “MAX 6 A” fuse at cooker hood installment for your security.

MAINTENANCE

*Disconnect electricity connection before maintenance and cleaning process.

*Aluminum cassette filter holds the dust and the oil in the air.

*Metal filter should be washed once in a month with hot and soaped water or, if possible, at dishwasher (60C).

*Take off aluminum cassette filter pressing on springy latches on end point. After cleaning, do not replace before it dries.

*Outer surface of the cooker hood should be wiped with a wet cloth that is wetted with water or alcohol.

*Please avoid contact of electronic parts with water or similar materials.

*Using Inox cleaning and maintenance products available in the market will help your product to perform longer.

Warning: Aluminum filters may be washed in the dishwasher. Color of aluminum filters may change after several washings. This is normal and it is not necessary to change the filters.

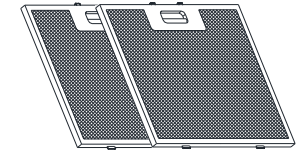
Efficient Ventilation

In order to ensure correct ventilation, keep your kitchen windows closed.

IMPORTANT NOTE

Please pay attention when the product is operated at the same time with a product which operates using air and fuel (for instance; heater, water heater etc. which operates using gas, diesel fuel, coal or wood), since cooker hood may affect burning negatively as it directs the air out.

This warning is not valid for usage without chimney.



**Washable Aluminum
Cassette Filter**

Usage of 3 Speed Digital Control

Peel protective papers out from the inox devices after assembly.

Speed Choice

The device has 3 degrees of ventilation. According to the cooking and frying steam, you can choose low-middle-high ventilation levels. Buttons on the front panel are used for turning the device on. The models with electronic controllers have automatic timers. 15 minutes automatic timer is turned on, when pressed any of the buttons, which starts the motor up, more than 2 seconds. When timer starts, display will signal and after 15 minutes motor will automatically stop. Please turn on hob and hood at the same time to activate circulation. This will provide positive effect on vacuum power. Let the device run for a while after cooking process is finalised, thus the remaining smell and steam will be absorbed.



Illumination

The product has 2 lamps and one lamp button to operate illumination. Press lamp button in order to start illumination.

Cleaning Periods of Aluminum Filter

Filter should be cleaned when "C" signal appears on the Display or each 2-3 weeks (in accordance with the usage frequency). After cleaning and replacing filters to their places **Ⓚ** button should be pressed for more than 3 seconds (when the product is off) in order to remove the "C" signal. "E" signal will appear on Display and product will start working at normal position. If you want to continue using your product without removing "C" signal, active speed will appear for 1 second when you press

Ⓚ button, then "C" signal will appear once more and the motor will continue operating.

Standard Accessories

Plastic Outlet (Figure 1)

Plastic outlet mounted to air outlet of the cooker hood

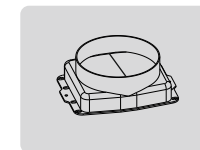


Figure 1

Place of the Product:

After installation of your product, distance between range hood and electrical hob should be at least 65 cm and gas hobs at least 75cm. Figure 2

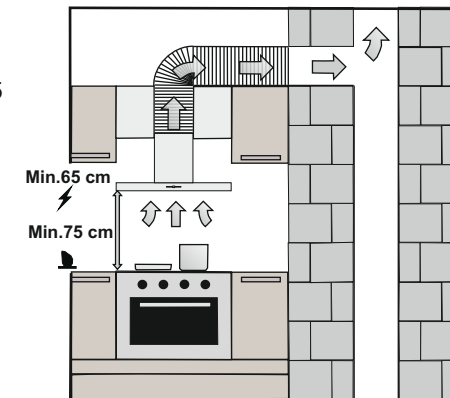


Figure 2

Installation, taking off your product from its package:

*Check if there is any deformation on your product.

*Transportation damages and failures should immediately be reported to the transportation responsible.

*If you notice any damage please report to the seller.

***Do not allow children to play with packing material!!!**

Installing Hanging Bar

There are 2 L shaped hanging bars in to install your product, provided with screws. Fix bars on product body via M5 x 35 screws into M5 turn screws (Figure 3).

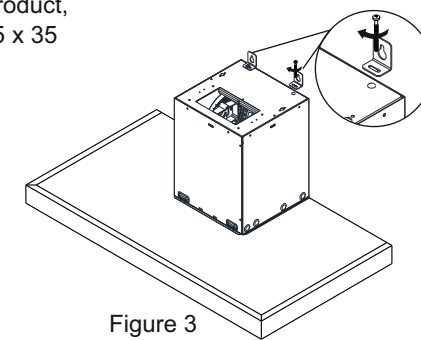
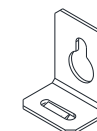


Figure 3



M5 x 35 Ysb
Screws



Hanging bar

Installing Plastic Outlet

Install plastic outlet to top of motor cabin via 3,5x9,5 screws (Figure 4).



3,5 x 9,5 RYSB
Screws

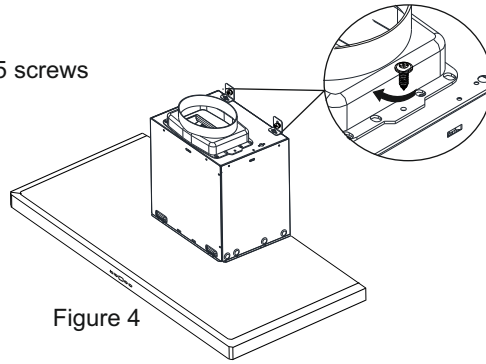
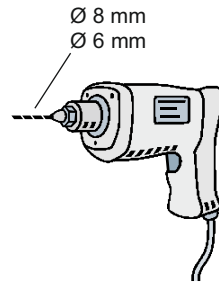


Figure 4

Drilling Mounting Holes

Attach mounting scheme on the wall and drill holes on points marked as A, B, C via $\varnothing 8$ mm drill. To install chimney part, use $\varnothing 6$ mm drill by taking reference of min./max. height dimensions.

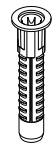


WARNING : During drilling the hanging holes, please pay attention to the diameter of the holes to be used for hanging the hood.
If the diameters of hanging holes are not as pointed, the hood can not be assembled properly.

Nailing Dowels

Nail $\varnothing 10$ mm dowels into A, B, C holes drilled as $\varnothing 8$ mm. Place $\varnothing 6$ mm dowels on two holes, drilled as $\varnothing 6$ mm (Figure 5)

3120-3170 models / for 80-90cm models, drill holes on points marked as G, H and nail $\varnothing 10$ mm dowels into it.



10 mm Plastic
dowel



6 mm Plastic
dowel

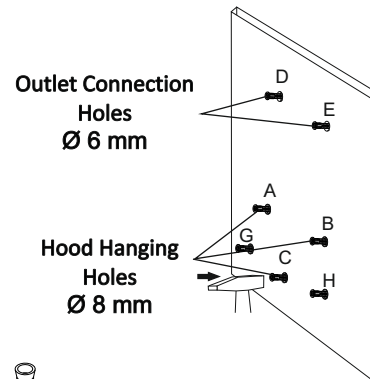


Figure 5

PROGRAMMABLE OPTIONS

Programmable options can be set when motor and lamp is closed and not set.

1-Back light brightness settings: When – button is pushed for approximately 5 seconds blue color percentage appears on the screen (for example: b 00). When V- button is pushed once more red color percentage will appear on the screen. (for example: r100) When V- button is pushed once more green color percentage will appear on the screen. (for example: g10). Pressing Tmr+ and Tmr- buttons (pressing for longer time it can be set fast) the color whose percentage appears on the screen can be set between 0 and 100. New color is set pressing – button for 5 seconds (beep sound is heard) and settings mode will be left. In order to leave settings mode without setting an option, on/off or lamp buttons can be pushed.

2-Back light option: Back light is always at on position. Keeping + button pressed for 5 seconds (beep sound will be heard) when motor and lamp is off and not set (that is when the chimney hood is not operating) back light can be set so that it will be off. In order to set back light to be on constantly + button should be pressed for approximately 5 seconds.

Blue (%)	Red (%)	Green (%)	Color
100	100	100	Light Turquoise
0	100	100	Light Green
0	0	100	Green
100	0	0	Blue
50	100	0	Purple
0	100	0	Red
0	0	0	Colourless screen
0	100	10	Orange

TECHNICAL SPECIFICATIONS

Feeding Voltage	220-240 V 50Hz
Motor Isolation Class	F
Isolation Class	CLASS I

HOW TO USE BLUE LIGHT

When the product is powered on, the blue light at the middle panel will be on. In order to turn off the blue light, you should keep the lamp button pushed for 5 seconds. When the light is off, if you push lamp button for 5 seconds, blue light will be on. During that position, blue light will be always on, when the product is off.

5 Speed LCD Control Usage

On/Off Button: (*) This button starts and stops the motor. Starting speed of the motor is 2nd speed.

-Button: Decreases speed. Speed can be reduced till 1st speed. When you press this button longer, 1 speed level is decreased each half seconds.

+ Button: Increases speed. Speed can be increased up to 5th Speed. When you press this button longer, 1 speed level is increased each half seconds. When the cooker hood is set to 5th speed, motor will operate at 5th speed for 15 minutes then will continue operating at 2nd speed. 5th speed is turbo speed.

Timer - Button: (⏪) It is used for setting the time that timer will start operating decreasing the time. Timer decreases 1 level at each press; if the button is pushed longer level will decrease fast.

Timer + Button: (⏩) It is used for setting the time that timer will start operating increasing the time. Timer increases 1 level at each press; if the button is pushed longer level will increase fast. Cooker-hood has timer function for two different usages:

1-Timer for stopping the cooker-hood: If the timer is set when the motor is operating, cooker-hood will stop, lamp will be off and buzzer will ring for 5 seconds when timer period is over.

2-Timer for alarm: If the timer is set when the motor is not operating, alarm timer will have been started. When the timer is over, buzzer will ring for 15 seconds; even though motor is operated or the lamps are set to on position when the timer is operating, motor will not stop operating and lamp will not be off. When timer is not set, timer clock shows the real time.

Clock: Clock on LCD screen shows actual time. Two points between the hour and the minute flashes each 1 second. In order to set hour, Tmr+ (⏩) and Tmr- (⏪) buttons are pushed at the same time. Hour and minute flashe for 5 seconds. During flashing, pressing Tmr+ (⏩) or Tmr- (⏪) button minute will operate changing clock. During flashing, hour can be set using Tmr- or Tmr+ buttons, time can be set. (Settings will be reset in case of electricity cut or failure)

Filter Cleaning Warning : Filter cleaning icon appear on the screen after the cooker hood is operated for 60 hours and it flashes each second to remind to wash aluminum filter. Pressing on/off button for 3 seconds, filter time can be reset and filter icon can be removed.



Chimney Fixing Bar Screws;

Drill holes on the wall via Ø6 mm driller. Fix the chimney fixing bar via 3,9 x 22 Ysb screws on Ø6 mm plastic dowels.

Drill holes on the wall via Ø10 mm driller. Fix 2 pcs of 5,5 x 60 Ysb screws on A,B points on Ø10 mm plastic dowels.

The distance between the wall and screw top should be 5mm. Figure 6

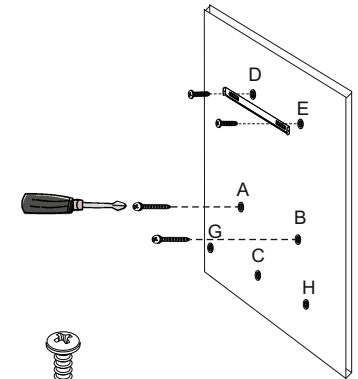


Figure 6



5,5 x 60 Ysb Screw



3,9 x 22 Ysb Screw

Placing Range Hood on The Wall

Hang L shaped hanging bars on A and B points (Figure 7)

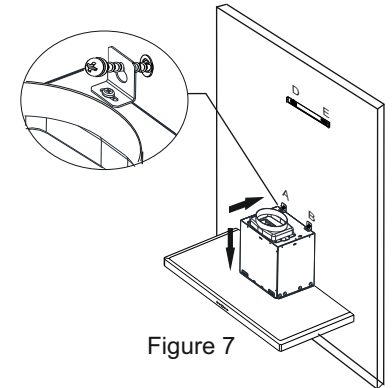


Figure 7

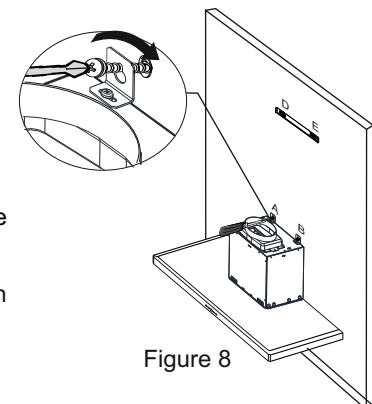


Figure 8

Tighten the Hanging Screws:

Tighten screws after hanging to fix your product via screwdriver. You may use the M5x40Ysb screws to have fine tune parallelism of hood. Figure 8

Note: You may fine tune parallelism by easing M5 screws on the top.

Tighten the Hanging Screws:

Fix product onto wall from point C with 5,5x60 Ysb screw in order to ensure your product is safely installed. Figure 9

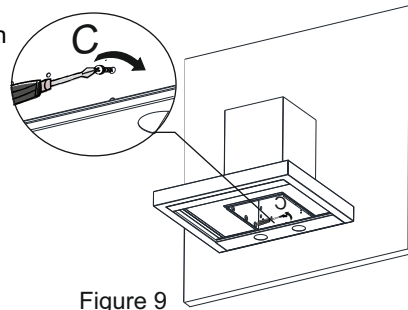


Figure 9

3120-3170 models / for 80-90cm models;

Fix product onto wall from point G,H with 5,5x60 screws in order to ensure your product is safely installed. Figure 10

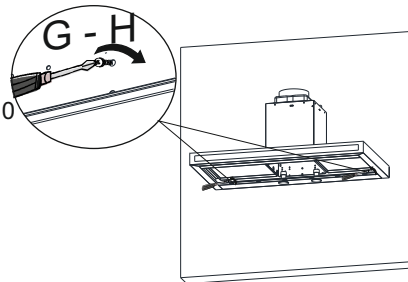


Figure 10

Installing Aluminum Flexible Pipe:

Connect aluminum flexible pipe to outlets on the product and kitchen wall.

Please make sure that this connection is strong enough not to break when the hood is on in the highest level. Figure 11

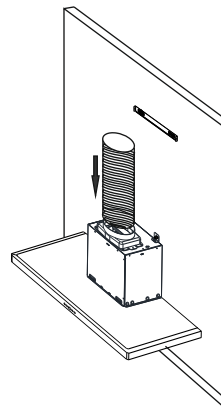


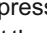
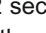


Figure 11

Usage of 5 Speed Digital Control

Usage

Remove protective folio on the inox product after installation.



Speed Selection The product has 5 speeds of ventilation level. One of 1,2,3,4,5 speeds is selected in accordance with steam of cooking or fry. Motor is started pressing  control button on the front panel. Speed is increased pressing  button, and decreased by pressing  button. Automatic timer (TIMER) is available at the models with electronic remote control. When you press  button more than 2 seconds, timer function will be on for 15 minutes. When the timer is on, Display will signal and the motor will be off automatically 15 minutes later. Please use the cooker and the product at the same time to enable circulation. Doing so, air suction power will be affected positively. We recommend you to operate your product for few minutes more after the cooking is completed to enable absorption rest of smell and steam.



Illumination

The product has 2 lamps and one lamp button to operate illumination. Press lamp button in order to start illumination.

Cleaning Periods of the Aluminum Filters:

Filters should be cleaned when C signal appears on Display or (according to usage) each 2-3 weeks. In order to remove C signal, after the filters are cleaned and replaced to their place, press  button more than 3 seconds (when the product is at off position). Letter "E" will appear on Display and the product will operate as normal. If you would like to continue using the product without deleting C signal, when you press the  button active speed will appear for 1 second, then C signal will appear once more and the motor will continue operating.

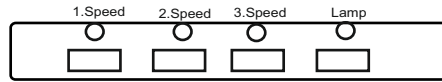
NOTE: C signal will appear after usage of the product for 60 hours.

Touch Button Explanation

Speed Choice : Your device has 3 speed level. Depending on the cooking and frying steam , you should run the device with low- medium or high Speed.The device turned on with the control button on the front panel. In the models with the electronic control there is a TIMER function.

Timer

If you press one of the control buttons for more than 2 seconds , the LED illumination will blink for a moment as a sign of turnin on of the TIMER. After 15 minutes the engine will stop automatically



Illumination

The product has 2 lamps and one lamp button to operate illumination. Press lamp button in order to start illumination.

Usage of 3 Speed Digital Control

Peel protective papers out from the inox devices after assembly.

Speed Choice

The device has 3 degrees of ventilation. According to the cooking and frying steam, you can choose low-middle-high ventilation levels. Buttons on the front panel are used for turning the device on. The models with electronic controllers have automatic timers. 15 minutes automatic timer is turned on, when pressed any of the buttons, which starts the motor up, more than 2 seconds. When timer starts, display will signal and after 15 minutes motor will automatically stop. Please turn on hob and hood at the same time to activate circulation. This will provide positive effect on vacuum power. Let the device run for a while after cooking process is finalised, thus the remaining smell and steam will be absorbed.



Illumination

The product has 2 lamps and one lamp button to operate illumination. Press lamp button in order to start illumination.

Cleaning Periods of Aluminum Filter

Filter should be cleaned when "C" signal appears on the Display or each 2-3 weeks (in accordance with the usage frequency). After cleaning and replacing filters to their places, ① button should be pressed for more than 3 seconds (when the product is off) in order to remove the "C" signal. "E" signal will appear on Display and product will start working at normal position. If you want to continue using your product without removing "C" signal, active speed will appear for 1 second when you press

① button, then "C" signal will appear once more and the motor will continue operating.

Installing the External Chimney:

Place internal chimney into external chimney. Place chimneys to motor box and push it downward. Make sure that the connection between the body and motor box is so tight. Figure 12

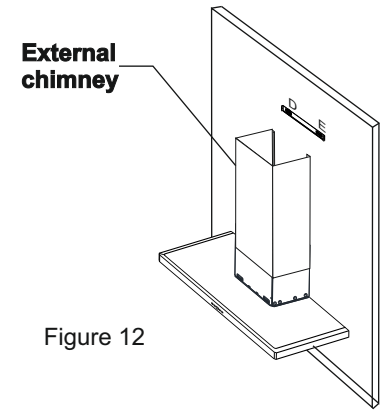


Figure 12

Installing internal chimney

Pull internal chimney upwards through the external chimney. Fix the chimney with 3,5 x 9,5 nickel covered screws. Figure 13



3,5 x 9,5 RYSB
Nickel Screw

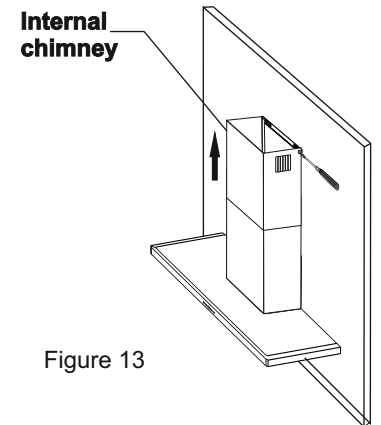


Figure 13

After complete the installing the hood, please check all the connections before operate it. Please take off the protective folio from you product.

Replacing the Lamps

Cut off the connection of the cooker hood with electricity. Take off the aluminum cassette filter. Take off the failed lamp and replace it with a new one that is of the same rating. (Please wait for the lamps to cool as they might hurt your hand.)

Replacing 50W Halogen Lamp

In order to change halogen lamps, take the lamp downwards pushing back of lamp holder downwards and then turning it a little bit anti-clockwise take it off downwards. Figure 14

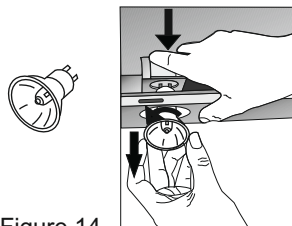


Figure 14

Replacing 20 W Lamps

In order to replace halogen lamps, hold one lamp, as shown in and turn it to left or right. Bring the lamp pin in the same line with socket and pull towards yourself. Remove glass cover as shown in Picture with an object, which would not scratch product's surface . To remove pull the faulty lamp down, and replace with a new one. Figure 15

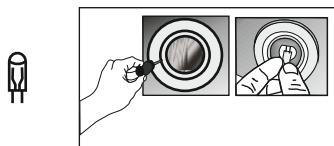


Figure 15

Replacing bulb

In order to change the bulb, turn it anti-clockwise and take it off. Replace it with a new one in the same value by turning it in clockwise. Figure 16

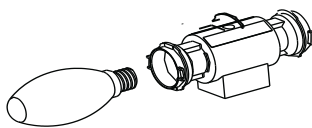


Figure 16

Functions of the Product

Your hood is compatible for use with or without chimney.

Usage with chimney

The product should be connected to a chimney that will direct the air out during usage with chimney. In order to achieve best performance, pay attention that the duct system follows the shortest way for connection to the chimney. Your product is produced as it will be appropriate for usage with chimney.

Attention!!!

Outlet of the product should not be connected to air canals that have other smoke as well.

Active Carbon Filter

To provide air recirculation where product's chimney air outlet cannot be connected to exterior, it is necessary to use active carbon filter with your product. You may purchase this accessory from authorized sellers and after sales services

Carbon Filter Usage

Your product is compatible with two types of carbon filters.

You may see following information on how to use carbon filters.

Before installing or replacing carbon filter, first you should cut your product's power off. Carbon filters should be replaced with a new one each 3-5 months because it is used at kitchens that does not have chimney outlet.

Carbon filter should never be washed.

Grease filters should be installed on the product even when carbon filter is not in use. Do not use your product without grease filter.

Replacing Carbon Filter

It is necessary to install 2 carbon filters to your product.

To place the carbon filter, place your filter on connection channels on motor and turn it clockwise. In order to remove filter, turn it anti-clockwise. Figure 17

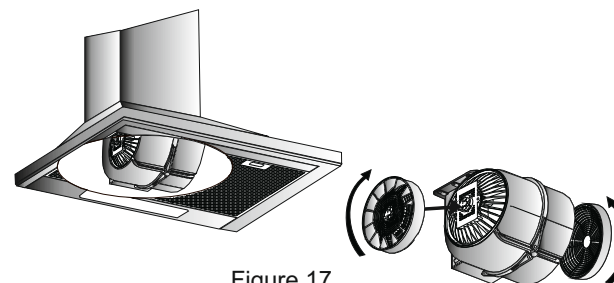


Figure 17

Changing Aluminum Cassette Carbon Filter

In order to take the carbon filter off, pull it towards yourself holding the upper latch. Figure 18

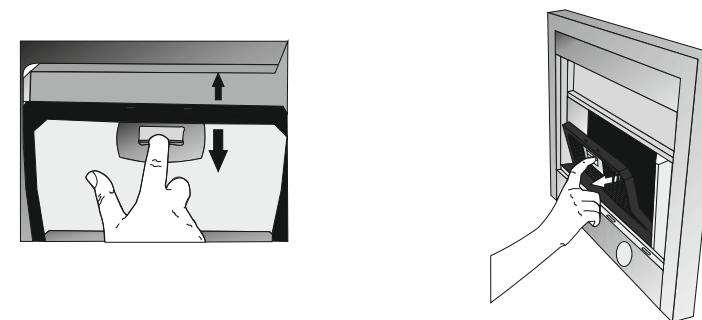


Figure 18