



PITT[®]

COOKING



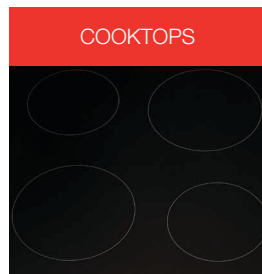
COOKTOPS



SINKS



RANGEHOODS



OVENS



LAUNDRY



WASTE DISPOSALS



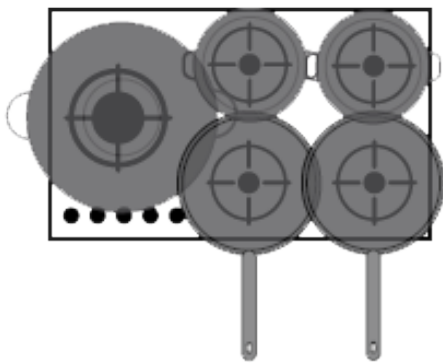


MEET THE NEW COOKING SENSATION

PITT® cooking: a real eye catcher in your kitchen. The subtly integrated burners will fit in every type of kitchen. Classic, rural, contemporary, design: this cooking system knows no boundaries. The position of the burners can be placed from the customers point of view. With PITT® cooking, you will be the designer of your own cooking area.

FUNCTIONAL USE OF SPACE

Instead of the lack of space people experience when cooking on a traditional stove, PITT® by Reginox offers you ample space for using each individual burner at the same time, even when using large pans; there is always enough room. With the so-called XL-variant, even more space will be created for cooks who need a little more freedom of movement.



Traditional cooker: 904 x 522 mm



PITT® by Reginox: 853 x 503 mm

EASY CLEANING

Pitt® by Reginox is fantastic for inspired cooking! Besides the ease of use it is also very easy to clean. Due to the design flexibility the cooking areas can be cleaned fast and easily. Pitt® by reginox –enriches your kitchen area in so many ways.

POWERFUL COOKING

The burners of PITT® by Reginox are professional and powerful, suited for every kind of cooking technique (for example stir-frying, simmering or roasting). PITT® by Reginox also offers the unique, multifunctional burner: a combined burner which you can use for cooking on low power (simmering) and on high power (stir-frying), operated by just one knob. This burner will offer you 30% more power compared to a traditional one.

RELIABLE AND SAFE

This Dutch innovation has passed a long and solid testphase, with very positive results. During use, the temperature of the countertop will remain low and there will be a minimal transfer of heat. PITT® by Reginox received the official KIWA Gastec Certification and offers you 5 years full guarantee.



A vertical stack of built-in stainless steel appliances. From top to bottom: a white cabinet with a silver handle, a microwave oven with a digital display showing "11:59", a main oven with a glass door and "Miele" logo, another oven with a digital display showing "11:59", and a bottom oven with a glass door and "Miele" logo.

A tall, narrow stainless steel refrigerator with a water dispenser on the left side. It has two long, vertical silver handles. The refrigerator is integrated into the white cabinetry.

A white floating shelf mounted on a light blue wall. On the shelf is a bottle of Hennessy XO cognac. The wall behind the shelf is a light blue color.



A white cabinet with a dark countertop. The cabinet has a simple, modern design with a silver handle. The countertop is dark and matches the rest of the kitchen.



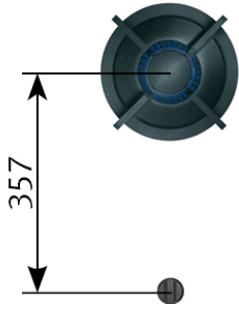


CHOOSE THE COUNTERTOP YOU WANT

The burners of PITT® by Reginox can be combined easily and safely with a wide range of countertops. Choose the countertop you want: quartz composite, granite, concrete, terrazzo, glass, ceramics, Corian®, LG Hi-Macs® and stainless steel. Choose the countertop that will match your kitchen, and the burners of PITT® by Reginox will fit seamlessly.



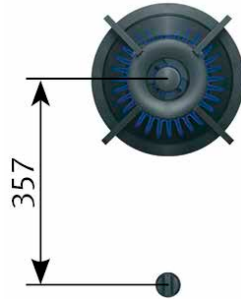
PITT® CONFIGURATIONS IN STOCK



MODEL: ABEKI

SINGLE BURNER

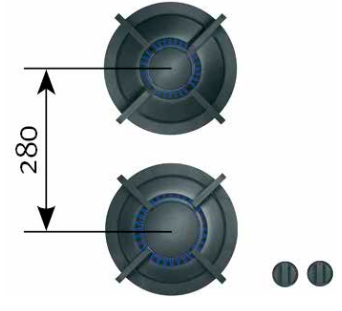
Number of burners: 1
 Power: 1 x 2 kW
 Dimensions: 213 x 503 x 90mm
 Min. cabinet width: 300 mm
 Min. worktop depth: 600 mm



MODEL: AIR

SINGLE BURNER (WOK)

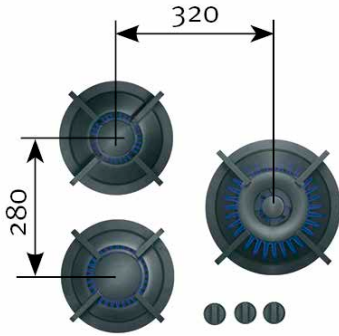
Number of Burners: 1
 Power: 1 x 0.2-5 kW
 Dimensions: 213 x 503 x 90mm
 Min. cabinet width: 300 mm
 Min. worktop depth: 600 mm



MODEL: BALUT

DOUBLE BURNER

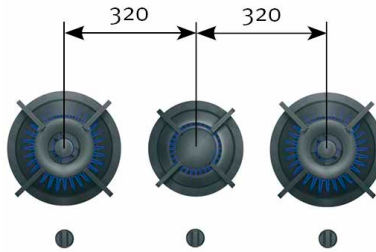
Number of Burners: 2
 Power: 1 x 2, 1 x 3 kW
 Dimensions: 433 x 503 x 90mm
 Min. cabinet width: 500 mm
 Min. worktop depth: 600 mm



MODEL: CAPITAL

TRIPLE BURNER

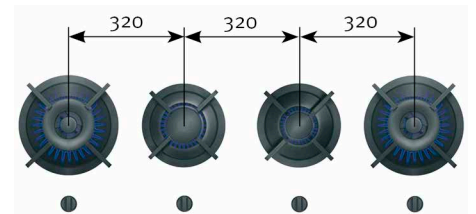
Number of Burners: 3
 Power: 1 x 2, 1 x 3, 1 x 0.2-5 kW
 Dimensions: 533 x 503 x 90mm
 Min. cabinet width: 600 mm
 Min. worktop depth: 600 mm



MODEL: CUSIN

TRIPLE BURNER

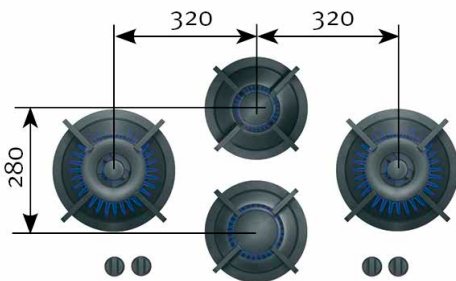
Number of Burners: 3
 Power: 1 x 3, 2 x 0.2-5 kW
 Dimensions: 853 x 403 x 90mm
 Min. cabinet width: 900 mm
 Min. worktop depth: 600 mm



MODEL: DANAU

QUAD BURNER

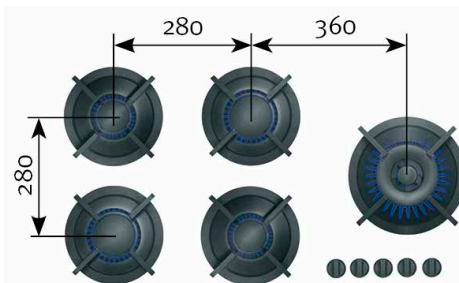
Number of Burners: 4
 Power: 1 x 2, 1 x 3, 2 x 0.2-5 kW
 Dimensions: 1157 x 403 x 90mm
 Min. cabinet width: 1200 mm
 Min. worktop depth: 600 mm



MODEL: DEMPO

QUAD BURNER

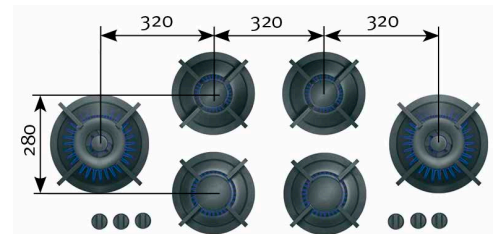
Number of Burners: 4
 Power: 1 x 2, 1 x 3, 2 x 0.2-5 kW
 Dimensions: 853 x 503 x 90mm
 Min. cabinet width: 900 mm
 Min. worktop depth: 600 mm



MODEL: EBEKO

FIVE BURNER

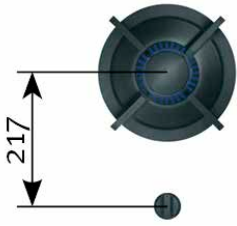
Number of Burners: 5
 Power: 2 x 2, 2 x 3, 1 x 0.2-5 kW
 Dimensions: 853 x 503 x 90mm
 Min. cabinet width: 900 mm
 Min. worktop depth: 600 mm



MODEL: FOESSA

SIX BURNER

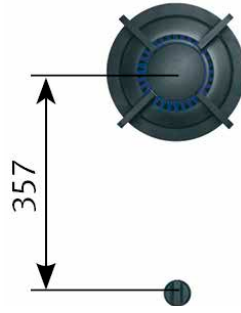
Number of Burners: 6
 Power: 2 x 2, 2 x 3, 2 x 0.2-5 kW
 Dimensions: 1157 x 503 x 90mm
 Min. cabinet width: 1200 mm
 Min. worktop depth: 600 mm



MODEL: AKAN

SINGLE BURNER

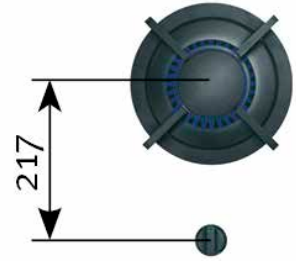
Number of burners:	1
Power:	1 x 2 kW
Dimensions:	213 x 503 x 90mm
Min. cabinet width:	300 mm
Min. worktop depth:	600 mm



MODEL: ADAMS

SINGLE BURNER

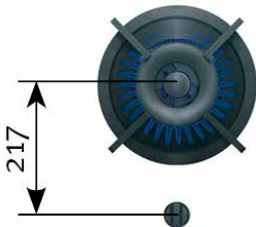
Number of Burners:	1
Power:	1 x 3 kW
Dimensions:	213 x 503 x 90mm
Min. cabinet width:	300 mm
Min. worktop depth:	600 mm



MODEL: ALTAR

SINGLE BURNER

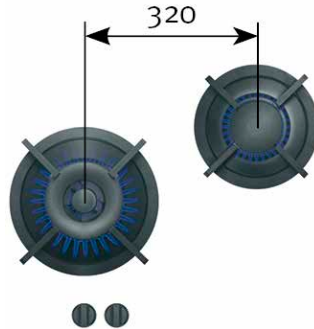
Number of Burners:	1
Power:	1 x 3 kW
Dimensions:	213 x 503 x 90mm
Min. cabinet width:	300 mm
Min. worktop depth:	600 mm



MODEL: AZUMA

SINGLE BURNER

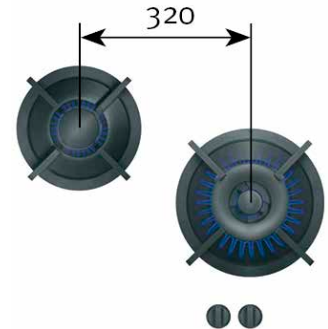
Number of Burners:	1
Power:	1 x 0.2-5 kW
Dimensions:	213 x 503 x 90mm
Min. cabinet width:	300 mm
Min. worktop depth:	600 mm



MODEL: BALURAN

DOUBLE BURNER

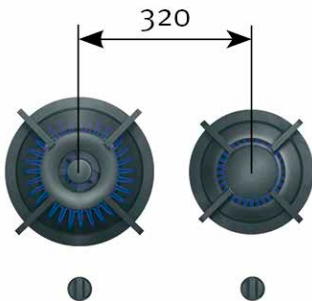
Number of Burners:	2
Power:	1 x 3, 1 x 0.2-5 kW
Dimensions:	533 x 503 x 90mm
Min. cabinet width:	600 mm
Min. worktop depth:	600 mm



MODEL: BENNETT

DOUBLE BURNER

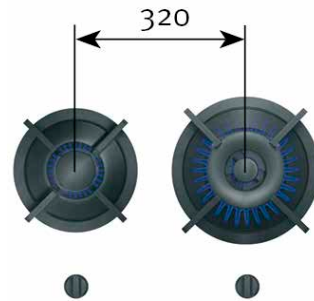
Number of Burners:	2
Power:	1 x 2, 1 x 0.2-5 kW
Dimensions:	533 x 503 x 90mm
Min. cabinet width:	600 mm
Min. worktop depth:	600 mm



MODEL: BAULA

DOUBLE BURNER

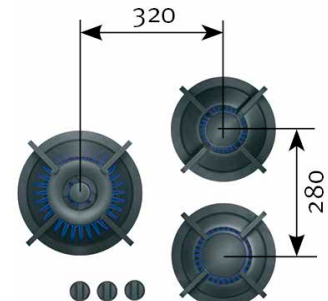
Number of Burners:	2
Power:	1 x 3, 1 x 0.2-5 kW
Dimensions:	533 x 403 x 90mm
Min. cabinet width :	600 mm
Min. worktop depth:	600 mm



MODEL: BELY

DOUBLE BURNER

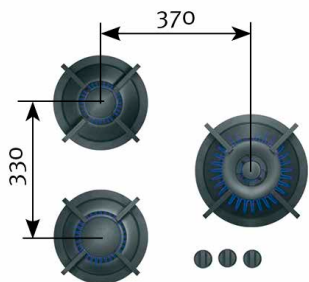
Number of Burners:	2
Power:	1 x 2, 1 x 0.2-5 kW
Dimensions:	533 x 403 x 90mm
Min. cabinet width:	600 mm
Min. worktop depth:	600 mm



MODEL: CIMA

TRIPLE BURNER

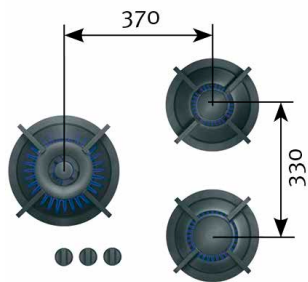
Number of Burners:	3
Power:	1 x 2, 1 x 3, 1 x 0.2-5 kW
Dimensions:	533 x 503 x 90mm
Min. cabinet width:	600 mm
Min. worktop depth:	600 mm



MODEL: CAPITAL XL

TRIPLE BURNER

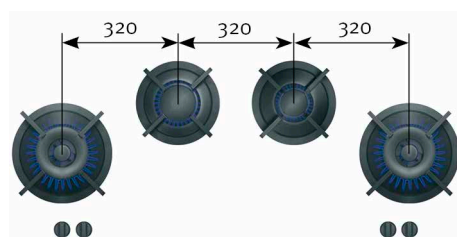
Number of burners: 3
 Power: 1 x 2, 1 x 3, 1 x 0.2-5 kW
 Dimensions: 583 x 503 x 90mm
 Min. cabinet width: 650 mm
 Min. worktop depth: 650 mm



MODEL: CIMA XL

TRIPLE BURNER

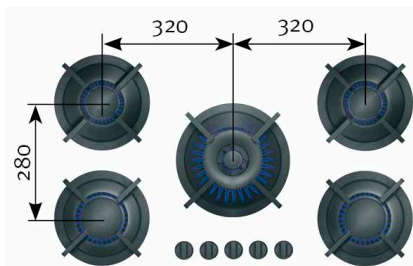
Number of Burners: 3
 Power: 1 x 2, 1 x 3, 1 x 0.2-5 kW
 Dimensions: 583 x 503 x 90mm
 Min. cabinet width: 650 mm
 Min. worktop depth: 650 mm



MODEL: DRUM

QUAD BURNER

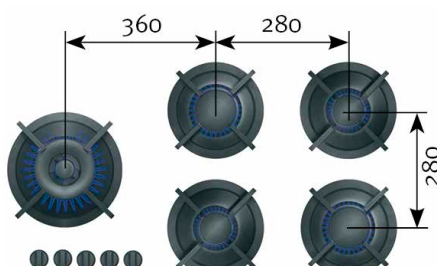
Number of Burners: 4
 Power: 1 x 2, 1 x 3, 2 x 0.2-5 kW
 Dimensions: 1157 x 503 x 90mm
 Min. cabinet width: 1200 mm
 Min. worktop depth: 600 mm



MODEL: ELBRUS

FIVE BURNER

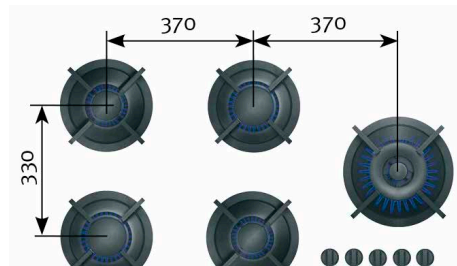
Number of Burners: 5
 Power: 2 x 2, 2 x 3, 1 x 0.2-5 kW
 Dimensions: 853 x 503 x 90mm
 Min. cabinet width: 900 mm
 Min. worktop depth: 600 mm



MODEL: ENEP

FIVE BURNER

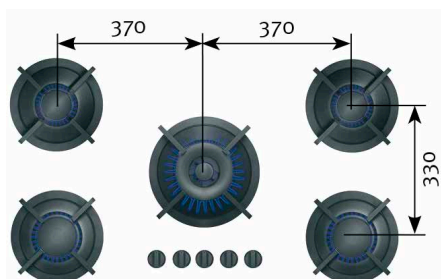
Number of Burners: 5
 Power: 2 x 2, 2 x 3, 1 x 0.2-5 kW
 Dimensions: 853 x 503 x 90mm
 Min. cabinet width: 900 mm
 Min. worktop depth: 600 mm



MODEL: EBeko XL

FIVE BURNER

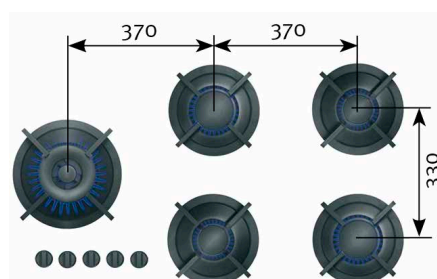
Number of Burners: 5
 Power: 2 x 2, 2 x 3, 1 x 0.2-5 kW
 Dimensions: 953 x 503 x 90mm
 Min. cabinet width: 1000 mm
 Min. worktop depth: 650 mm



MODEL: ELBRUS XL

FIVE BURNER

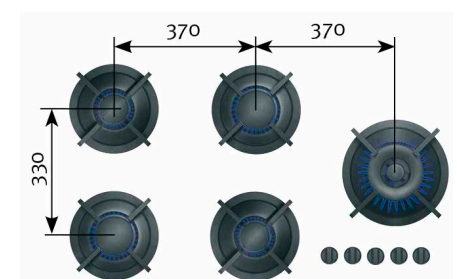
Number of Burners: 5
 Power: 2 x 2, 2 x 3, 1 x 0.2-5 kW
 Dimensions: 953 x 503 x 90mm
 Min. cabinet width: 1000 mm
 Min. worktop depth: 650 mm



MODEL: ENEP XL

FIVE BURNER

Number of Burners: 5
 Power: 2 x 2, 2 x 3, 1 x 0.2-5 kW
 Dimensions: 953 x 503 x 90mm
 Min. cabinet width: 1000 mm
 Min. worktop depth: 650 mm



MODEL: FOESSA XL

SIX BURNER

Number of Burners: 6
 Power: 2 x 2, 2 x 3, 2 x 0.2-5 kW
 Dimensions: 1157 x 503 x 90mm
 Min. cabinet width: 1200 mm
 Min. worktop depth: 650 mm



18 Charlies Way, Frankton, Hamilton, New Zealand, 3204
Phone 0800 83 83 84 Fax 0800 83 83 85
Website www.ikoncommercial.co.nz

Available from:

VERSION ONE 2016



SINKS



RANGEHOODS



COOKTOPS



OVENS



WASTE DISPOSALS