

# kitchen collection

---

Instructions for use and warranty details

Built In Dishwasher  
Model No.: DW6021

 **kLEENmaid**

Dear Customer,

Thank you and congratulations for choosing Kleenmaid.

Your new appliance has been designed and meticulously tested to ensure that it meets all your culinary requirements, and has been carefully manufactured using top quality materials to give you years of reliable performance.

For best results, carefully read the instructions on how your new appliance is to be installed. Correct installation will avoid delays and unnecessary service call costs.

Once installation is complete, please read this instruction manual carefully and get to know the controls and the features of your new Kleenmaid appliance. These simple instructions will enable you to achieve excellent results from the very first time you use it.

Again, congratulations and thank you for choosing The Best You Can Own.

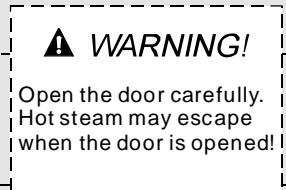
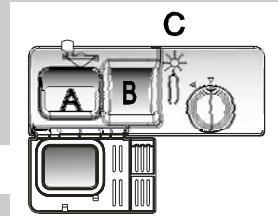
KLEENMAID

---

# Quick operation guide

For detailed operating method read the corresponding content on the instruction manual.

Switch on the appliance	Open the door, touch the On/Off button to switch on the appliance .
Fill the detergent dispenser	<p><b>Compartment A:</b> With each wash cycle.</p> <p><b>Compartment B:</b> For programmes with pre-wash only. (Follow the user instructions!)</p>
Check the rinse aid level	<p><b>Mechanical Indicator C.</b> Electric indicator on control panel (if provided).</p>
Load the baskets	Scrape off any large amount of leftover food. Soften remnants of burnt food in pans, then load the baskets. Refer to the dishwasher loading instructions.
Select a programme	Press the Programme Button until the desired programme indicator lights up. ( See the section entitled " Operation instruction " )
Running the dishwasher	Turn on the water tap ,close the door . The machine will start working after about 10 seconds.
<ul style="list-style-type: none"> <li>Changing the programme</li> </ul>	<ul style="list-style-type: none"> <li>1. A running cycle can only be modified if it has been running for a short time. Otherwise the detergent may have already been released and the water already drained. If this is the case, the detergent dispenser must be refilled.</li> <li>2. Open the door and press the On/Off Button for 3 seconds to cancel the running programme</li> <li>3. Select a new programme.</li> <li>4. Close the door, the machine will restart after about 10 seconds.</li> </ul>
<ul style="list-style-type: none"> <li>Add forgotten dishes in the dishwasher.</li> </ul>	<ul style="list-style-type: none"> <li>1. Open the door a little to stop the dishwasher.</li> <li>2. After the spray arms stop working, you can open the door completely.</li> <li>3. Add the forgotten dishes.</li> <li>4. Close the door, the dishwasher will start running again after 10 seconds.</li> </ul>
<ul style="list-style-type: none"> <li>If the appliance is switched off during a wash cycle.</li> </ul>	<ul style="list-style-type: none"> <li>If the appliance is switched off during a wash cycle, when switched on again, please re-select the washing cycle and operate the dishwasher according to the original Power-on state.</li> </ul>
Switch off the appliance	When the working cycle has finished, the alert chime of the dishwasher will sound 8 times, then stop. Turn off the appliance using the On/Off Button.
Turn off the water tap, unload the baskets	Warning: wait a few minutes (about 15 minutes) before unloading the dishwasher to avoid handling the dishes and utensils while they are still hot and more susceptible to break. They will also dry better. Unload the appliance, starting from the lower basket.





## Read this Manual

Dear Customer,

This appliance is intended to be used in households and similar applications such as:

- staff kitchen areas in shops, offices and other working environments;
- farm houses;
- by clients in hotels, motels and other residential type environments;
- bed and breakfast type environments.

- Please carefully read this manual before using the dishwasher, it will help you to use and maintain the dishwasher properly.
- Keep it as a reference.
- Pass it on to any subsequent owner of the appliance.

This manual contains sections on Safety Instructions, Operating Instructions, Installation Instructions and Troubleshooting Tips etc.



## Before Calling for Service

- Reviewing the section on Troubleshooting Tips will help you to solve some common problems without professional assistance.
- If you can not solve the problem by yourself, please ask for the help from a professional service person.



## NOTE:

The manufacturer, following a policy of constant development and updating of the product, may make modifications without giving prior notice.

<b>1) Safety Information.....</b>	<b>1</b>
<b>2) Operation Instructions.....</b>	<b>2</b>
Control Panel.....	2
Dishwasher Features.....	2
<b>3) Prior to using for the first time.....</b>	<b>3</b>
A. Fill the Rinse Aid Dispenser.....	3
B. Function of Detergent .....	4
<b>4) Loading the Dishwasher Basket.....</b>	<b>6</b>
Attention before or after loading the Dishwasher Baskets.....	6
The Method Loading Normal Dishware.....	7
<b>5) Starting a washing programme.....</b>	<b>8</b>
Wash Cycle Table.....	8
Turning on the Appliance.....	8
Change the Programme.....	9
At the end of the Wash Cycle.....	9
<b>6) Maintenance and cleaning.....</b>	<b>10</b>
Filtering System.....	10
Caring for the Dishwasher.....	11
<b>7) Installation instruction.....</b>	<b>12</b>
Installation preparation.....	12
Aesthetic panel's dimensions and installation.....	13
Tension adjustment of the door spring.....	15
Connection of drain hoses.....	15
Dishwasher installation steps.....	16
About Electricity Connecting.....	17
Water Connection.....	18
<b>8) Troubleshooting Tips.....</b>	<b>19</b>
Before calling for service.....	19
Error codes.....	20
Technical information.....	21

**Loading the baskets according to (\*AS/NZS 2007.1)**

# 1. IMPORTANT SAFETY INFORMATION

## READ ALL OF THE INSTRUCTIONS BEFORE USING

**⚠ WARNING!** When using your dishwasher, follow the precautions listed below:



### GROUNDING INSTRUCTIONS

- This appliance must be grounded. In the event of a malfunction or breakdown, grounding will reduce the risk of an electric shock by providing a path of least resistance for electric current. This appliance is equipped with a cord having an equipment-grounding conductor and a grounding plug.
- The plug must be plugged into an appropriate outlet that is installed and grounded in accordance with all local codes and regulations.

### ⚠ WARNING!

- Improper connection of the equipment's grounding conductor can result in the risk of an electric shock.
- Check with a qualified electrician or service representative if you are in doubt whether the appliance is properly grounded. Do not modify the plug provided with the appliance; If it does not fit the outlet. Have a proper outlet installed by a qualified electrician.



### WARNING! PROPER USE

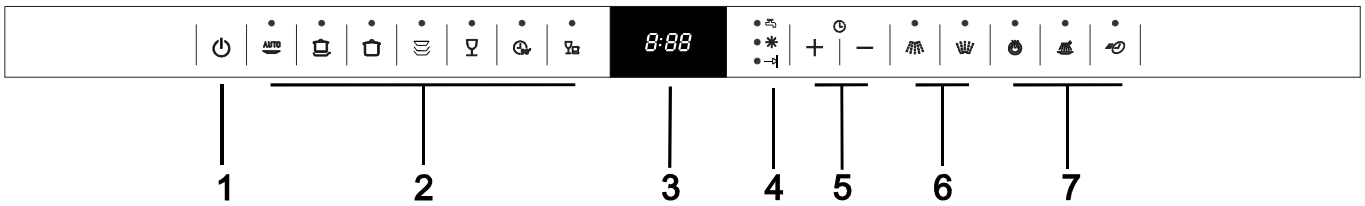
- Do not abuse, sit on, or stand on the door or dish rack of the dishwasher.
- Do not touch the heating element during or immediately after use.  
(This instruction is only applicable to machines with a visual heating element.)
- Do not operate your dishwasher unless all enclosure panels are properly in place. Open the door very carefully if the dishwasher is operating, there is a risk of water squirting out.
- Do not place any heavy objects on or stand on the door when it is open. The appliance could tip forward.
- When loading items to be washed:
  - 1) Locate sharp items so that they are not likely to damage the door seal;
  - 2) Warning: Knives and other utensils with sharp points must be loaded in the basket with their points down or placed in a horizontal position.
- When using your dishwasher, you should prevent plastic items from coming into contact with the heating element. (This instruction is only applicable to machines with a visual heating element.)
- Check that the detergent compartment is empty after completion of the wash cycle.
- Do not wash plastic items unless they are marked dishwasher safe or the equivalent. For plastic items not so marked, check the manufacturer's recommendations.
- Use only detergent and rinse additives designed for an automatic dishwasher.
- Never use soap, laundry detergent, or hand washing detergent in your dishwasher. Keep these products out of the reach of children.
- Keep children away from detergent and rinse aid, keep children away from the open door of the dishwasher, there could still be some detergent left inside.
- This appliance is not intended for use by persons (including children) with reduced physical, sensory or mental capabilities, or lack of experience and knowledge, unless they have been given supervision or instruction concerning use of the appliance by a person responsible for their safety.
- Children should be supervised to ensure that they do not play with the appliance.
- The dishwasher must always be connected to the water system using new hose sets.
- Dishwasher detergents are strongly alkaline, they can be extremely dangerous if swallowed. Avoid contact with skin and eyes and keep children away from the dishwasher when the door is open.
- The door should not be left open, since this could increase the risk of tripping.
- If the supply cord is damaged, it must be replaced by the manufacturer or its service agent or a similarly qualified person in order to avoid a hazard.
- If the appliance is installed on a carpet floor, take care that the openings in its base are not obstructed.
- Remove the door to the washing compartment when removing an old dishwasher from service or discarding it.
- Please dispose of packing materials properly.
- Use the dishwasher only for its intended function.
- During installation, the power supply must not be excessively or dangerously bent or flattened. Do not tamper with controls.
- The appliance is to be connected to the water mains using new hose sets and that old hose-sets should not be reused.
- The maximum number of place settings to be washed is 15.
- The maximum permissible inlet water pressure is 1Mpa.
- The minimum permissible inlet water pressure is 0.04Mpa.

**READ AND FOLLOW THIS SAFETY INFORMATION CAREFULLY**  
**KEEP THESE INSTRUCTIONS**

## 2. Operation Instruction

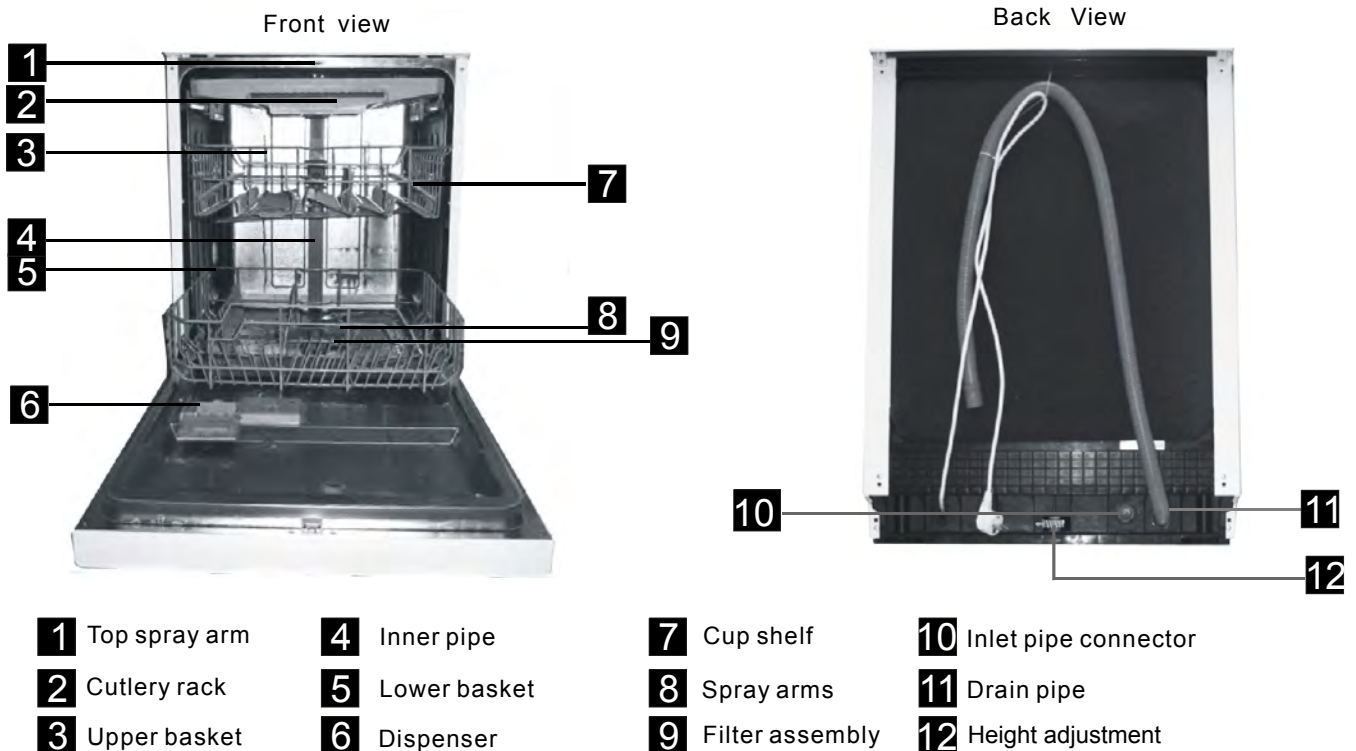
**! IMPORTANT** To get the best performance from your dishwasher, read all operating instructions before using it for the first time.

### Control Panel



1. Power Button- touch on and off.
2. Program Buttons-touch to select the Program, corresponding indicator will light up;
  - Auto
  - Intensive
  - Heavy
  - Normal
  - Glass
  - 90Min
  - Rapid
3. Screen- Show the program time and delay time;
  - Eg: program time 3:05
  - Delay time 4:09
4. Status Indicators :
  - Water tap is off
  - Rinse detergent need to be refilled
  - The washing program is finished
5. Delay Buttons:
  - Increase
  - Reduce
6. Alt Function Buttons and indicators:
  - Upper basket
  - Lower basket
7. Program functions, only one function can be selected in a cycle:
  - Extra Drying, to improve the drying efficiency.
  - Strong Wash, to improve the cleaning efficiency.
  - Express, to reduce the program time.

### Dishwasher Features



### 3. Prior to using for the first time

Before using your dishwasher for the first time:

- A** Fill the rinse aid dispenser
- B** Fill detergent dispenser

## A. Fill the Rinse Aid Dispenser

### Rinse Aid Dispenser

The rinse aid is released during the final rinse to prevent water from forming droplets on your dishes, which can leave spots and streaks. It also improves drying by allowing water to roll off the dishes. Your dishwasher is designed to use liquid rinse aid. The rinse aid dispenser is located inside the door next to the detergent dispenser. To fill the dispenser, open the cap and pour the rinse aid into the dispenser until the level indicator turns completely black. The volume of the rinse aid container is about 110ml.

### Function of Rinse Aid

Rinse aid is automatically dispensed during the final rinse, ensuring thorough rinsing, and spot and streak free drying.

### Attention!

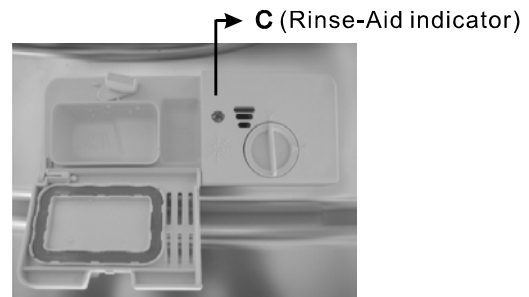
Only use branded rinse aid intended for dishwashers. Never fill the rinse aid dispenser with any other substances (e.g. Dishwasher cleaning agent, liquid detergent). This will damage the appliance.

### When to Refill the Rinse Aid Dispenser

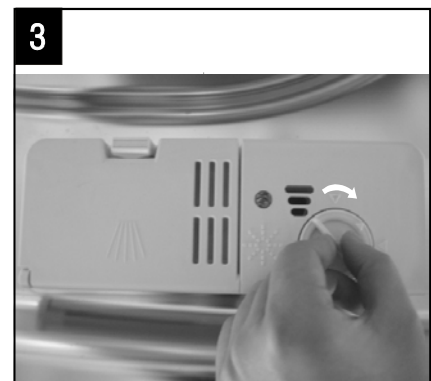
There is a rinse-aid warning light in the control panel, and you can also judge the amount of rinse-aid by the colour of the optical level indicator "C" located next to the cap. When the rinse-aid container is full, the whole indicator will be dark. As the rinse-aid is used, the size of the dark dot decreases. You should never let the rinse aid get below 1/4 full.

As the rinse aid diminishes, the size of the black dot on the rinse aid level indicator changes, as illustrated below.

- Full
- 3 / 4 full
- 1 / 2 full
- 1 / 4 full - Refill to eliminate spotting
- Empty



## RINSE AID DISPENSER



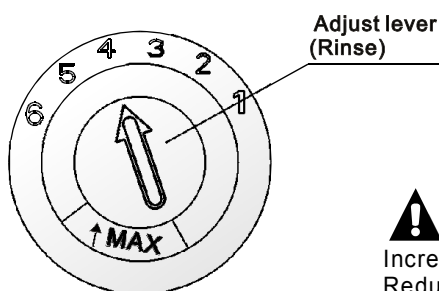
- 1** To open the dispenser, turn the cap to the "open" (left) arrow and lift it out.
- 2** Pour the rinse aid into the dispenser, being careful not to overfill.
- 3** Replace the cap by inserting it aligned with "open" arrow and turning it to the "closed" (right) arrow.

Be careful not to overfill the dispenser, because this could cause over-foaming. Wipe away any spills with a damp cloth. Don't forget to replace the cap before you close the dishwasher door.

Attention!

Clean up any rinse aid spilt during filling with an absorbent cloth to avoid excessive foaming during the next wash.

## Adjusting Rinse Aid Dispenser



The rinse aid dispenser has 6 dose size settings. Always start with the dispenser set on "4". If spots and poor drying are a problem, increase the amount of rinse aid dispensed by removing the dispenser lid and rotating the dial to "5". If the dishes still are not drying properly or are showing spots, adjust the dial to the next higher lever until your dishes are spot-free. The recommended setting is "4". (Factory value is "4".)

### **!** NOTE:

Increase the dose if there are drops of water or lime spots on the dishes after washing. Reduce it if there are sticky whitish stains on your dishes or a bluish film on glassware or knife blades.

## B. Function of Detergent

Detergents with its chemical ingredients are necessary to remove soiling, crush it and transport it out of the dishwasher. Most commercially branded quality detergents are suitable for this purpose.

### Detergents

There are 3 types of detergents

1. With phosphate and with chlorine
2. With phosphate and without chlorine
3. Without phosphate and without chlorine

Most modern powdered detergents are manufactured without phosphate, thus the added water softening function of phosphate is not available. If detergents without phosphate are used with hard water, white spots may appear on dishes and glasses. If this occurs, please add more detergent to achieve better results. Detergents without chlorine only bleach slightly, and strong coloured spots will not be removed completely. In this case please choose a program with a higher temperature.

### Concentrated Detergent

Based on their chemical composition, detergents can be divided into two basic types:

- conventional, alkaline detergents with caustic components
- low alkaline concentrated detergents with natural enzymes

The use of "normal" washing programs in combination with concentrated detergents reduces pollution and is good for your dishes; these wash programs are specifically matched to the dirt-dissolving properties of the enzymes of the concentrated detergent. For this reason "normal" wash programs in which concentrated detergents are used can achieve the same results that can otherwise only be achieved using "intensive" programs.

### Detergent Tablets

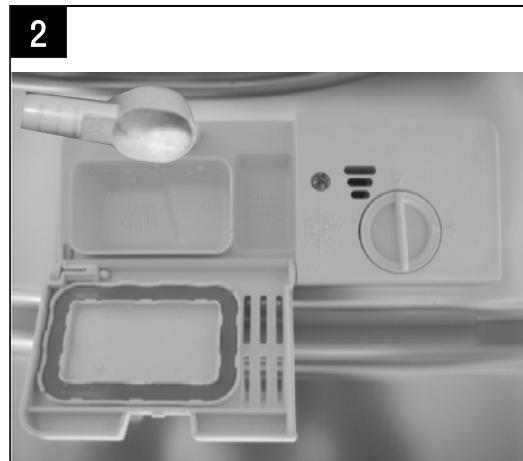
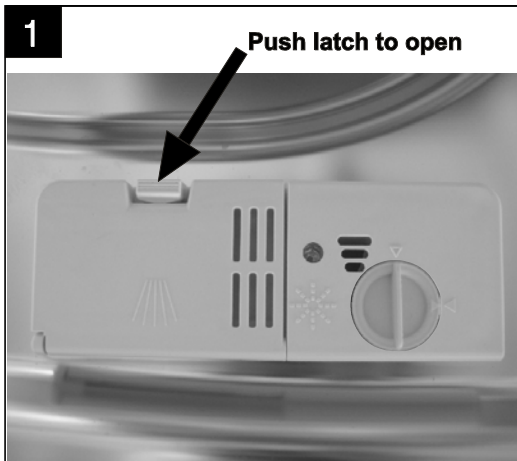
Detergent tablets of different brands dissolve at different speeds. For this reason some detergent tablets cannot dissolve and develop their full cleaning power during short programs. Therefore please use long programs when using detergent tablets, to ensure the complete removal of detergent residuals.

### Detergent Dispenser

The dispenser must be refilled before the start of each wash cycle following the instructions provided in the wash cycle table. Your Eco-Sensitive dishwasher uses less detergent and rinse aid than a normal dishwasher. Generally, only one tablespoon of detergent is needed for a normal wash load. More heavily soiled items need more detergent. Always add the detergent just before starting the dishwasher, otherwise it could become damp and may not dissolve properly.



# Amount of Detergent to Use



## **!** NOTE:

- If the lid is closed: press release button. The lid will spring open.
- Always add the detergent just before starting each wash cycle.
- Only use branded detergent aid for dishwasher.

## **!** WARNING!

Dishwasher detergent is corrosive! Take care to keep it out of reach of children.

### Proper Use of Detergent

Use only detergent specifically made for use in dishwashers. Keep your detergent fresh and dry. Don't put powdered detergent into the dispenser until you're ready to wash dishes, or it may clump and/or lose effectiveness.

## Fill With Detergent

Fill the detergent dispenser with detergent. The marking indicates the dosing levels, as illustrated on the right:

- A** Main wash cycle detergent.
- B** Pre-wash cycle detergent.

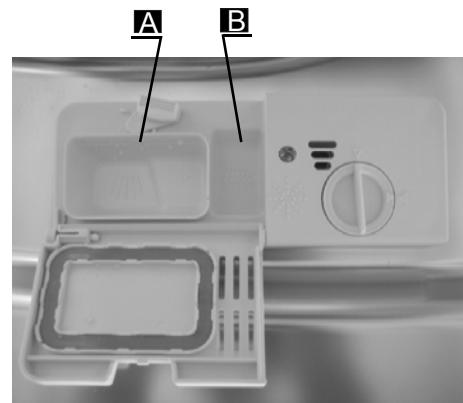
Please observe the manufacturer's dosing and storage recommendations as stated on the detergent packaging.

Close the lid and press until it locks in place.

If the dishes are heavily soiled, place an additional detergent dose in the pre-wash detergent chamber. This detergent will take effect during the pre-wash phase.

## **!** NOTE:

- You may find information about the amount of detergent for each programme on a later page of this manual. Please
- be aware that according to the level soiling and the specific hardness of water differences are possible. Please
- observe the manufacturer's recommendations printed on the detergent packaging.



## 4. Loading the Dishwasher Baskets

### Recommendation

- Consider buying utensils which are identified as dishwasher-proof or dishwasher-safe.
- Use a mild detergent that is described as 'kind to dishes'. If necessary, seek further information from the detergent manufacturers.
- For particular items, select a program with as low a temperature as possible.
- To prevent damage, do not take glass and cutlery out of the dishwasher immediately after the programme has ended; allow them to cool first.

### For washing in the dishwasher the following cutlery/dishes

#### Are not suitable

- Cutlery with wooden, horn china or mother-of-pearl handles
- Plastic items that are not heat resistant
- Older cutlery with glued parts that are not temperature resistant
- Bonded cutlery items or dishes
- Pewter or copper items
- Crystal glass
- Steel items susceptible to rusting
- Wooden platters
- Items made from synthetic fibres

#### Are of limited suitability

- Some types of glasses can become dull after a large number of washes
- Silver and aluminum items have a tendency to discolour during washing
- Glazed patterns may fade if machine washed frequently

### Attention before or after loading the Dishwasher Baskets

(For best performance of the dishwasher, follow these loading guidelines. Features and appearance of baskets and cutlery baskets may vary slightly depending on your model.)

Scrape off any large amounts of leftover food. Soften remnants of burnt food in pans. It is not necessary, or advisable for environmental reasons, to rinse the dishes under running water. Place objects in the dishwasher in the following way:

1. Items such as cups, glasses, pots/pans, etc. should be placed with their opening facing downwards.
2. Curved items, or ones with recesses, should be loaded at an angle so that water can run off or out.
3. All utensils should be stacked securely so they cannot tip over.
4. All utensils should be placed in such a way that the spray arms can rotate freely during washing.



**NOTE:** Very small items should not be washed in the dishwasher as they may fall out of the basket.

- Load hollow items such as cups, glasses, pans etc. with the opening facing downwards so that water cannot collect in them.
- Dishes and items of cutlery should not lie inside one another, or cover each other.
- To avoid damage to glasses, they should not contact each other.
- Load large items which are more difficult to clean into the lower basket.
- The upper basket is designed to hold more delicate or smaller dishware such as glasses and coffee and tea cups
- Long-bladed knives stored upright are a potential hazard!
- Long and/or sharp items of cutlery such as carving knives should be positioned horizontally in the upper basket.
- Please do not overload your dishwasher. This is important for good results and for reasonable consumption of energy.

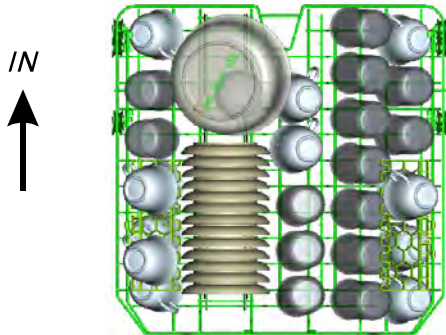
### Removing the Dishes

**To prevent water dripping from the upper basket onto items in the lower basket, we recommend that you empty the lower basket first and then the upper basket.**

# ■ The Method Loading Normal Dishware

## Loading the Upper Basket

The upper basket is designed to hold more delicate and lighter dishware such as glasses, coffee and tea cups and saucers, as well as plates, small bowls and shallow pans (as long as they are not too dirty). Position the dishes and cookware so that they will not get moved by the spray of water.

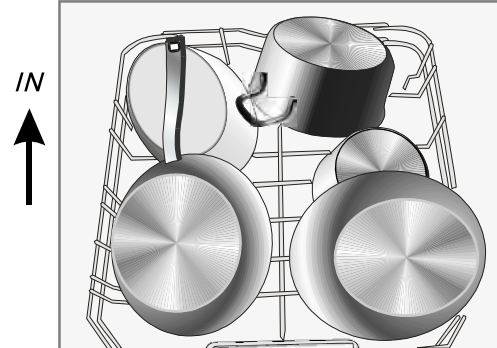


Please be reminded that:

- Pots, serving bowls, etc, must always be placed top down.
- Deep pots should be slanted to allow water to flow out.
- The Bottom Basket features folding spikes so that larger or more pots and pans can be loaded.

## Loading the Lower Basket

We suggest that you place large items and the most difficult to clean items are to be placed into the lower basket: such as pots, pans, lids, serving dishes and bowls, as shown in the figure below. It is preferable to place serving dishes and lids on the side of the racks in order to avoid blocking the rotation of the top spray arm.



## Adjusting the Upper Basket

The height of the upper basket can be adjusted in order to create more space for large utensils both for the upper /lower basket. The height of the upper basket can be adjusted by lift up the basket for the upper position, and up press the handle to lower the upper basket, see the picture below:

Lift the basket for upper position

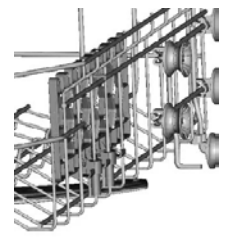
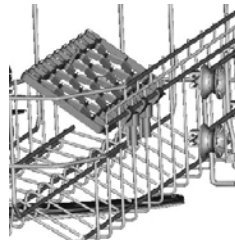
Up press the handle to lower the basket



Adjust handle

## Folding back the cup shelives

For better stacking of pots and pans, the spikes can be folded down as show in the picture right.



## Folding Spikes of Lower Basket

For better stacking of pots and pans, the spikes can be folded down as show in the picture right.

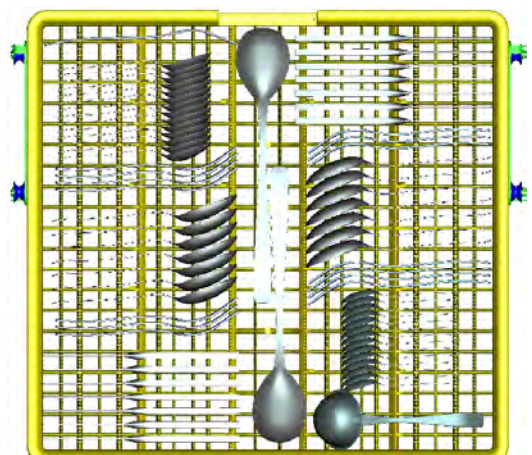


## Cutlery Basket

Cutlery should be placed in the cutlery rack separately from each other in the appropriate positions, and do make sure the utensils do not nest together, this may cause bad performance.

For highest quality cleaning place silverware in the basket, making sure that:








- They are not touching each other.
- Silverware is placed with the convex side up.
- Long utensils are in the centre.



## 5. Starting a washing program

### Wash Cycle Table

**!** **NOTE:** (★) Means: need to fill rinse into the Rinse-Aid Dispenser.

Program	Cycle Selection Information	Description of Cycle	Detergent pre/main	Running time(min)	Energy (Kwh)	Water (L)	Rinse Aid
	For all soiled loads, such as pots, pans, casserole dishes and dishes that have been sitting with dried food on them for a while.	Pre-wash (45°C) Autowash (50-60°C) Rinse Rinse (60°C) Drying.	$\frac{5}{28.75g}$ (Or All in 1)	120~170	1.1~1.4	10~13.5	★
<b>Intensive</b> 	For heaviest soiled crockery, and soiled pots, pans, dishes etc with dried on soiling.	Pre-wash(50°C) Wash (65 °C) Rinse Rinse Rinse(65°C) Drying	$\frac{5}{28.75g}$ (Or All in 1)	155	1.45	17.0	★
<b>Heavy</b> 	For heavily soiled loads, such as pots, plates, glasses and lightly soiled pans.	Pre-wash(45 °C) Wash (55 °C) Rinse Rinse (60 °C) Drying	$\frac{5}{28.75g}$ (Or All in 1)	170	1.15	13.5	★
<b>Normal</b>  <small>(*AS/NZS 2007.1)</small>	Standard daily cycle for normally soiled loads, such as pots, plates, glasses.	Pre-wash Wash (55 °C) Rinse Rinse(45°C) Drying	$\frac{5}{28.75g}$ (Or All in 1)	175	0.62	12.0	★
<b>Glass</b> 	For lightly soiled loads, such as glasses, crystal and fine china.	Pre-wash Wash (40 °C) Rinse Rinse(60°C) Drying	$\frac{5}{28.75g}$ (Or All in 1)	115	0.85	13.5	★
<b>90 min</b> 	For lightly soiled crockery and glass.	Wash(65°C) Rinse Rinse (60°C) Drying	33.75g	90	1.33	12.5	★
<b>Rapid</b> 	A shorter wash for lightly soiled loads and quick wash.	Wash (40 °C) Rinse Rinse (45 °C)	20g	40	0.5	10.0	

**!** **NOTE:**

\*AS/NZS 2007.1 : This program is the test cycle. The information for comparability test in accordance with AS/NZS 2007.1 , as follows:

- Capacity: 15 setting
- Position Upper basket: Lower position
- Rinse aid setting: 6
- Open the door slightly 50mm to assist in drying of the dishes after every wash

## Turning On the Appliance

Starting a cycle wash

- Draw out the lower and upper basket, load the dishes and push them back.  
It is commended to load the lower basket first, then the upper one (see the section entitled "Loading the Dishwasher" ).
- Pour in the detergent (see the section entitled "Detergent and Rinse Aid" ).
- Insert the plug into the socket. The power supply is 220-240 VAC /50 HZ, the specification of the socket is 10A 250VAC. Make sure that the water supply is turned on to full pressure.
- Close the door, press the ON/OFF Button, and the Power indicator light will turn on.
- Press the program Button , the wash program will be changed as follows direction:  
Auto→Intensive→Heavy→normal→Glass→90min→Rapid;  
If a program is selected, the response light will light. Press the Start/Pause button, the dishwasher begins to start.

## Change the Program

- 1 A cycle that is underway can only be modified if it has only been running for a short time. Otherwise, the detergent may have already been released, and the appliance may have already drained the wash water. If this is the case, the detergent dispenser must be refilled (see the section entitled "Loading the Detergent").
- 2 Press the Start/Pause button, press the Program button more than 3 seconds, the machine will be in standby state, then you can change the program to the desired cycle setting (see the section entitled "Starting a wash cycle").



### NOTE:

*If you open the door during a wash cycle, the machine will pause, The display indicator “ : ” will stop blinking and buzzer will sound one time per every minute unless you close the door. After you close the door, the machine will keep on working after 10 seconds.*

## Forgot to Add a Dish?

A forgotten dish can be added any time before the detergent cup opens.

- 1 Open the door a little .
- 2 After the spray arms stop working, you can open the door completely.
- 3 Add forgotten dishes.
- 4 Close the door
- 5 The dishwasher will run after 10 seconds.

## At the End of the Wash Cycle

When the working cycle has finished, the buzzer of the dishwasher will sound for 8 seconds, then stop. Open the door of the dishwasher, turn off the appliance using the ON/OFF button and shut off the water supply. Wait for a few minutes before unloading the dishwasher to avoid handling the dishes and utensils while they are still hot and more susceptible to breakage. They will also dry better.

### ■ Switch Off the Dishwasher

The program light is on but is not blinking, only in this case the programme has ended.

1. Switch off the dishwasher by pressing the ON/OFF button.
2. Turn off the water tap!

### ■ Open the door carefully.

Hot dishes are sensitive to knocks. The dishes should therefore be allowed to cool down around 15 minutes before removing from the appliance.

Open the dishwasher's door, leave it ajar and wait a few minutes before removing the dishes. In this way they will be cooler and the drying will be improved.

### ■ Unloading the dishwasher

It is normal that the dishwasher is wet inside.

Empty the lower basket first and then the upper one. This will avoid water dripping from the upper Basket onto the dishes in the lower one.



### WARNING!

It is dangerous to open the door when washing, because the hot water may scald you.

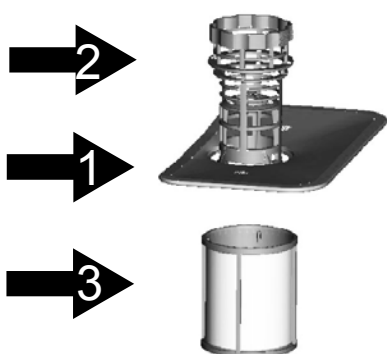


## 6. Maintenance and Cleaning

### Filtering System

The filter prevents larger remnants of food or other objects from getting inside the pump. The residues may block the filter, in this case they must be removed.

The filter system consists of a coarse filter, a flat (Main filter) and a microfilter (Fine filter).



#### Main filter **1**

Food and soil particles trapped in this filter are pulverized by a special jet on the lower spray arm and washed down to drain.

#### Coarse filter **2**

Larger items, such as pieces of bones or glass, that could block the drain and easily become trapped in the coarse filter. To remove the items caught by the filter, gently squeeze the top of this filter and lift out.

#### Fine filter **3**

This filter holds soil and food residues in the sump area and prevents it from being redeposited on the dishes during washing.

### Filter assembly

The filter efficiently removes food particles from the wash water, allowing it to be recycled during the cycle. For best performance and results, the filter must be cleaned regularly. For this reason, it is a good idea to remove the larger food particles trapped in the filter after each wash cycle by rinsing the semicircular filter and cup under running water. To remove the filter device, pull the cup handle in the upward direction.

#### **⚠ WARNING!**

- The dishwasher must never be used without the filters.
- Improper replacement of the filter may reduce the performance level of the appliance and damage dishes and utensils.

**1**



Step 1: Turn the filter in anti-clockwise direction,

**2**



Step 2: lift the filter up



**NOTE:** *When following this procedure from step 1 to step 2, the filter system will be removed; when following it from Step 2 to Step 1, the filter system will be installed.*

## Remarks:

- Inspect the filters for blocking after every time the dishwasher has been used.
- By unscrewing the coarse filter, you can remove the filter system. Remove any food remnants and clean the filters under running water.

**⚠ NOTE:** The entire filter assembly should be cleaned once a week.

## Cleaning the Filter

To clean the coarse filter and the fine filter, use a cleaning brush. Reassemble the filter parts as shown in the figures on the previous page and reinsert the entire assembly in the dishwasher, positioning it in its seat and pressing downwards.

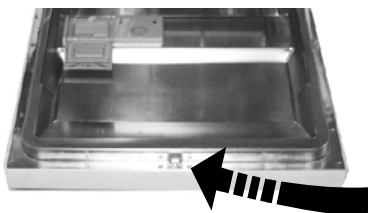
**⚠ WARNING!** When cleaning the filters, don't knock on them. Otherwise, the filters could be contorted and the performance of the dishwasher could be decreased.

## Caring for the Dishwasher

The control panel can be cleaned by using a slightly dampened cloth. After cleaning, make sure to dry the panel thoroughly.

Never use sharp objects, scouring pads or harsh cleaners on any part of the dishwasher.

## Cleaning The Door



To clean the edge around the door, you should use only a soft warm, damp cloth. To avoid penetration of water into the door lock and electrical components, do not use a spray cleaner of any kind.

**⚠ WARNING!**

- Never use a spray cleaner to clean the door panel as it may damage the door lock and electrical components.
- Abrasive agents or some paper towels should not be used because of the risk of scratching or leaving spots on the stainless steel surface.

## Protect Against Freezing

Please take frost protection measures for the dishwasher in winter. After every washing cycle, please do the following:

1. Cut off the electrical power to the dishwasher.
2. Turn off the water supply and disconnect the water inlet pipe from the water valve.
3. Drain the water from the inlet pipe and water valve. (Use a pan to gather the water)
4. Reconnect the water inlet pipe to the water valve.
5. Remove the filter at the bottom of the tub and use a sponge to soak up water in the sump.

**⚠ NOTE:** If your dishwasher cannot work because of ice, please contact a professional service person.

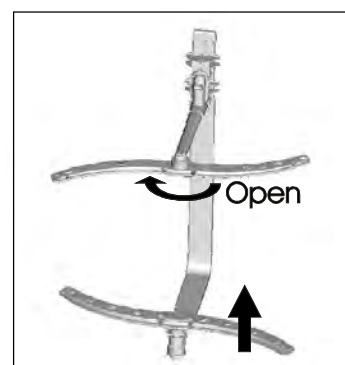
## Cleaning the Spray Arms

It is necessary to clean the spray arms regularly for hard water residue and chemicals will clog the spray arm jets and bearings.

To remove the upper spray arm, hold the nut, and rotate the arm clockwise to remove it.

To remove the lower spray arm, pull the spray arm upward.

Wash the arms in soapy and warm water and use a soft brush to clean the jets. Replace after rinsing thoroughly.



## How to Keep Your Dishwasher in Shape

### ■ After Every Wash

After every wash, turn off the water supply to the appliance and leave the door slightly open so that moisture and odours are not trapped inside.

### ■ Remove the Plug

Before cleaning or performing maintenance, always remove the power supply plug from the socket.

### ■ No Solvents or Abrasive Cleaning

To clean the exterior and rubber parts of the dishwasher, do not use solvents or abrasive cleaning products. Only use a cloth with warm soapy water.

To remove spots or stains from the surface of the interior, use a cloth dampened with water and a little vinegar, or a cleaning product made specifically for dishwashers.

### ■ When not in Use for an Extended Period

It is recommended that you run a wash cycle with the dishwasher empty and then remove the plug from the socket, turn off the water supply and leave the door of the appliance slightly open. This will help the door seals to last longer and prevent odours from forming within the appliance.

### ■ Moving the Appliance

If the appliance must be moved, try to keep it in the vertical position. If absolutely necessary, it can be positioned on its back.

### ■ Seals

One of the factors that cause odours to form in the dishwasher is food that remains trapped in the seals. Periodic cleaning with a damp sponge will prevent this from occurring.

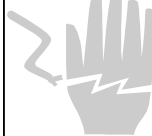
## 7. Installation instruction

### **Attention:**

The installation of the pipes and electrical equipment should be performed by professionals.



### **Warning**



**Electrical Shock Hazard**  
Disconnect electrical power before installing dishwasher.

Failure to do so can result in death or electrical shock.

## ● Installation preparation

The installation position of dishwasher should be close to the existing inlet and drain hoses and power cord.

One side of the cabinet sink should be chosen to facilitate the connection of drain hoses of the dishwasher.

Note: please check the accompanying installation accessories (hook for aesthetic panel, screws etc)



**Please carefully read the installation instruction.**

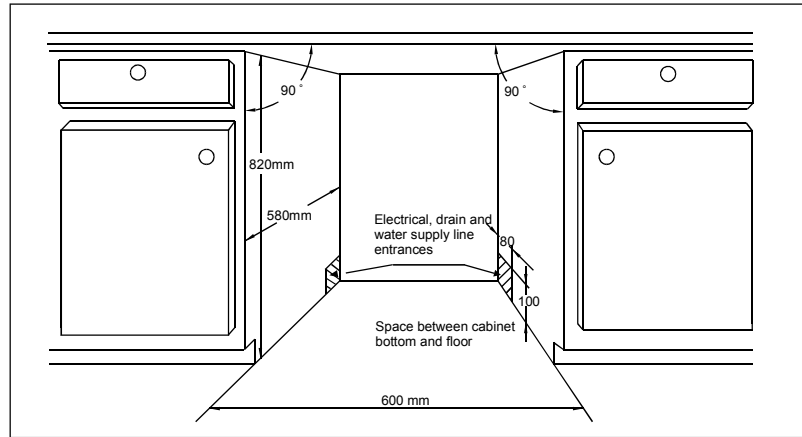
Illustrations of cabinet dimensions and installation position of the dishwasher

Preparations should be made before moving the dishwasher to the installation place.

- 1 Choose a place near the sink to facilitate the installation of inlet and drain hoses (see figure 1).
- 2 If dishwasher is installed at the corner of the cabinet, there should be some space (illustrated in figure 2) when the door is opened.

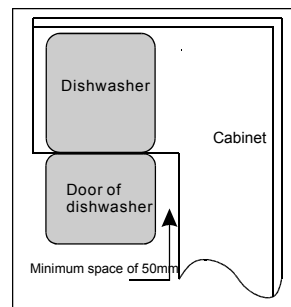
**【 Figure1 】**

Cabinet dimensions  
Less than 5mm  
between the top  
of dishwasher and  
cabinet and the  
outer door aligned  
to cabinet.



**【 Figure2 】**

Minimum space when  
the door is opened

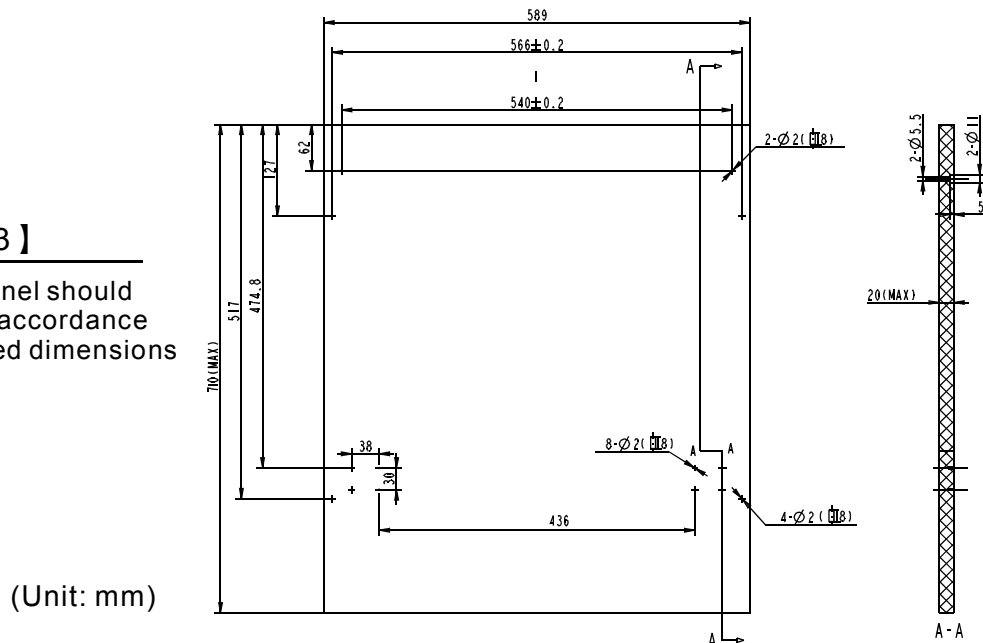


**● Aesthetic panel's dimensions and installation**

- 1 The aesthetic wooden panel could be processed according to the Figure 3.

**【 Figure3 】**

The aesthetic panel should  
be processed in accordance  
with the illustrated dimensions

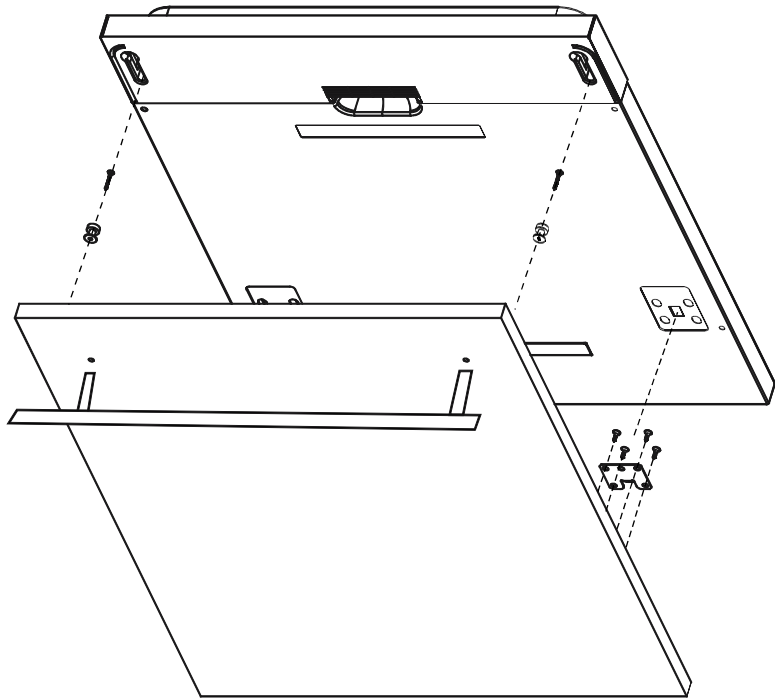


(Unit: mm)

2 Install the hook on the aesthetic wooden panel and put the hook into the slot of the outer door of dishwasher(see figure 4a). After positioning of the panel , fix the panel onto the outer door by screws and bolts(See figure 4b) .

**【 Figure4a 】**

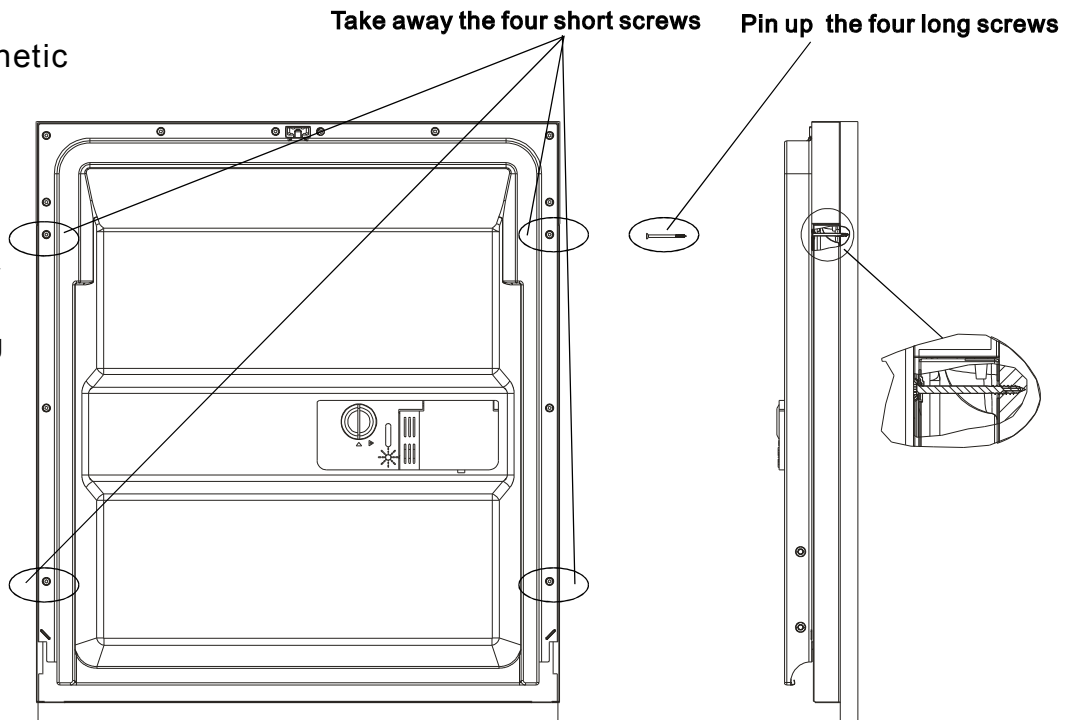
Installation of aesthetic panel



**【 Figure4b 】**

Installation of aesthetic wooden panel

1. take away the four short screws
2. pin up the four long screws



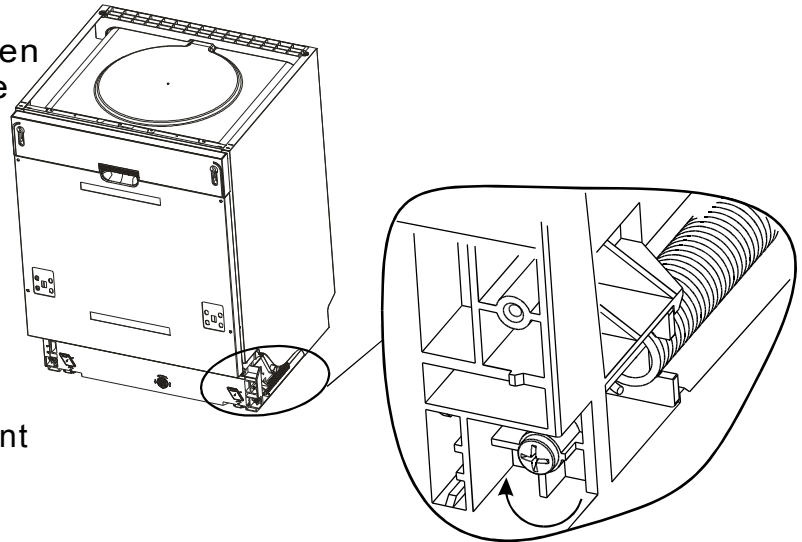
## ● Tension adjustment of the door spring

The door springs are set at the factory to the proper tension for the outer door. If aesthetic wooden panel are installed, you will have to adjust the door spring tension. Rotate the adjusting screw to drive the adjustor to strain or relax the steel cable (see figure 5).

Door spring tension is correct when the door remains horizontal in the fully opened position, yet rises to a close with the slight lift of a finger.

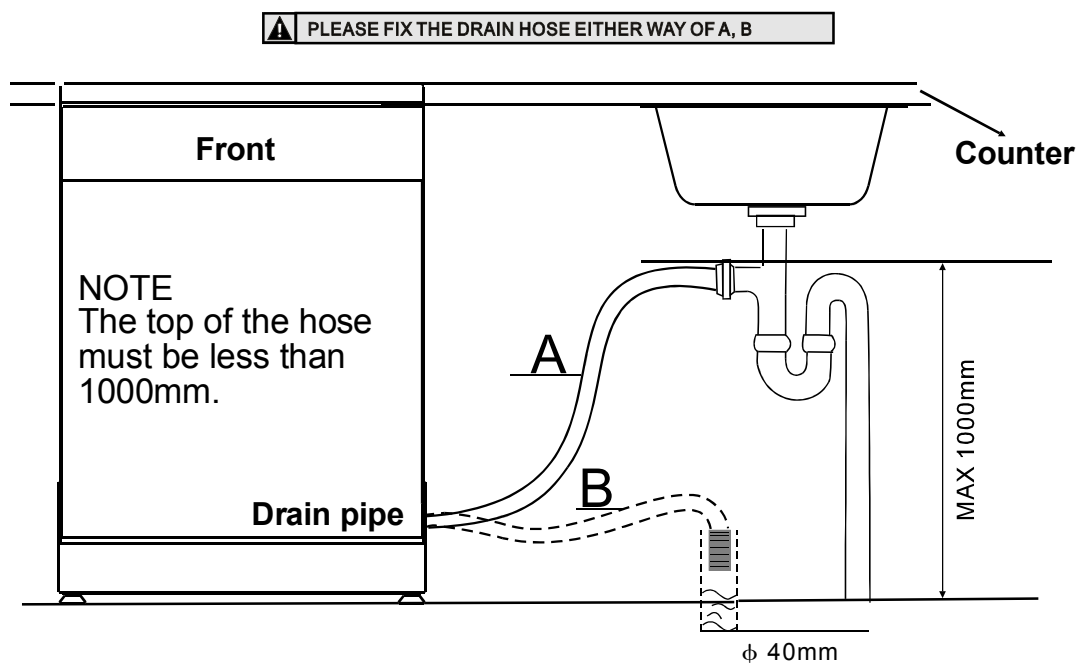
【 Figure5 】

Tension adjustment of the door spring



## ● Connection of drain hoses

Insert the drain hose into a drain pipe with a minimum diameter of 40mm, or let it run into the sink, making sure to avoid bending or crimping it. The top of the hose must be less than 1000mm.



# Dishwasher installation steps

- 1 Install the furniture door to the outer door of the dishwasher using the brackets provided. Refer to the template for positioning of the brackets.
- 2 Adjust the tension of the door springs by using an Allen key turning in a clockwise motion to tighten the left and right door springs. Failure to do this could cause damage to your dishwasher (Illustration 2).
- 3 Connect the inlet hose to the cold water supply .
- 4 Connect the drain hose. Refer to diagram.(Figure 6)
- 5 Connect the power cord.
- 6 Affix the condensation strip under the work surface of cabinet. Please ensure the condensation strip is flush with edge of work surface.
- 7 Place the dishwasher into position.(Illustration 4)
- 8 Level the dishwasher. The rear feet can be adjusted from the front of the dishwasher by turning the Allen screw in the middle of the base of dishwasher. Use an Allen key (Illustration 5A). To adjust the front feet, use a flat screw driver and turn the front feet until the dishwasher is level (Illustration 5B). 9 The dishwasher must be secured in place. There are two ways to do this:
  - A. Normal work surface:Put the installation hook into the slot of the side plane and secure it to the work surface with the wood screws (Illustration 6).
  - B. Marble or granite work top:Fix the side with Screw. (Illustration 7).

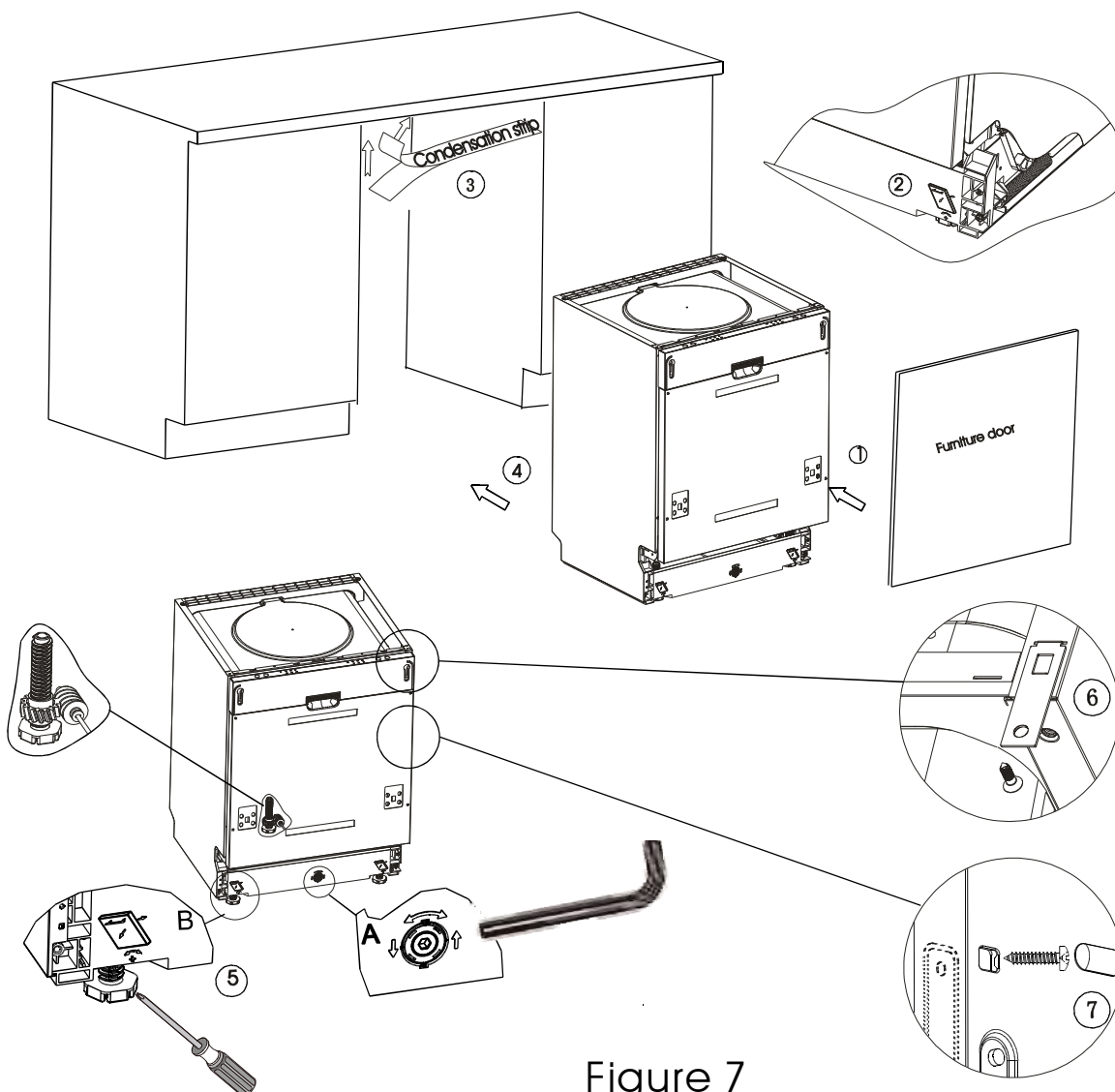


Figure 7

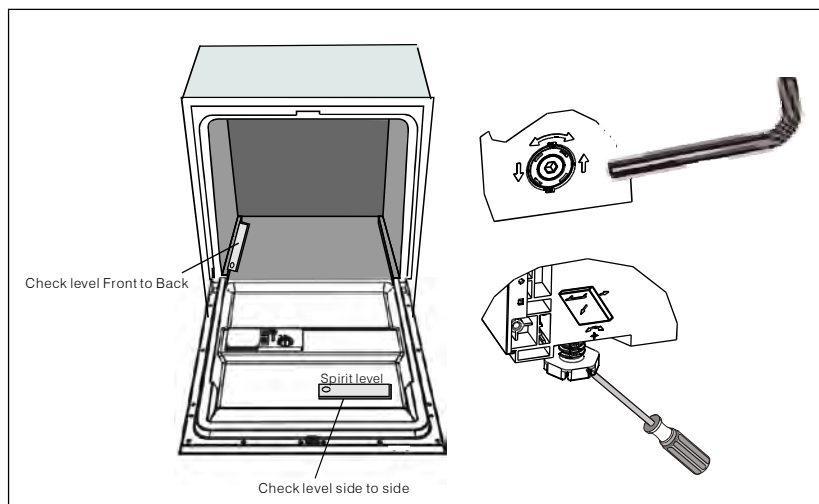
Dishwasher must be installed level for proper dish rack operation and wash performance.

- 1 Place a spirit level on door and rack track inside the tub as shown to check that the dishwasher is level.
- 2 Level the dishwasher by adjusting the three levelling legs individually (left, right, rear).
- 3 While levelling the dishwasher, be careful not to allow it to tip over.

**【Figure 8】**

Feet adjustment

NOTE:  
The maximum adjustment height of the feet is 50 mm.



## About Electricity Connecting

### **▲ WARNING!**

For personal safety:  
DO NOT USE AN EXTENSION CORD OR AN ADAPTER PLUG WITH THIS APPLIANCE.  
DO NOT, UNDER ANY CIRCUMSTANCES, CUT OR REMOVE THE EARTHING CONNECTION FROM THE POWER CORD.

## Electrical Requirements

Please look at the rating label to know the rating voltage and connect the dishwasher to the appropriate power supply. Use the required fuse 10 amp, time delay fuse or circuit breaker recommended and provide separate circuit serving only this appliance.

## Electrical Connection

### **▲ Insure proper ground exists before use**

Ensure the voltage and frequency of the power corresponds to those on the rating plate. Only insert the plug into an electrical socket which is earthed properly. If the electrical socket to which the appliance must be connected is not appropriate for the plug, replace the socket, rather than using an adaptor or the like as it could cause overheating and burns.



## GROUNDING INSTRUCTIONS

This appliance must be earthed. In the event of a malfunction or breakdown, earthing will reduce the risk of electric shock by providing a path of least resistance for the electric current. This appliance is equipped with a cord having an equipment-earthing conductor and an earthing plug. The plug must be plugged into an appropriate outlet that is installed and earthed in accordance with all local standards and requirements.

### **▲ WARNING!**

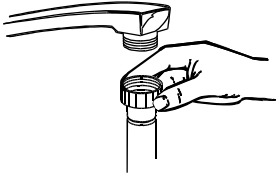
Improper connection of the equipment-grounding conductor can result in the risk of an electric shock. Check with a qualified electrician or service representative if you are in doubt whether the appliance is properly grounded. Do not modify the plug provided with the appliance; If it is not fit for the outlet. Have a proper general purpose electrical outlet installed by a qualified electrician.

## ▲ **WARNING!**

please close the hydrant after using. (For the models: no safety inlet hose.)

## **Water Connection**

---



Connect the cold water supply hose to a threaded 3/4(inch) connector and make sure that it is fastened tightly in place.  
If the water pipes are new or have not been used for an extended period of time, let the water run to make sure that the water is clear. This precaution is needed to avoid the risk of the water inlet being blocked and damaging the appliance.

## **Positioning the Appliance**

Position the appliance in the desired location. The back should rest against the wall behind it, and the sides along the adjacent cabinets or walls. The dishwasher is equipped with water supply and drain hoses which can be positioned either to the right or the left sides to facilitate installation.

## **How to Drain Excess Water From Hoses**

If the sink is 1000 higher from the floor, the excess water in hoses cannot be drained directly into the sink. It will be necessary to drain excess water from hoses into a bowl or suitable container that is held outside and lower than the sink.

## **Water Outlet**

Connect the water drain hose. The drain hose must be correctly fitted to avoid water leaks. Ensure that the water inlet hose is not kinked or squashed.

## **Extension Hose**

If you need a drain hose extension, make sure to use a similar drain hose. It must be no longer than 4 metres; otherwise the cleaning effect of the dishwasher could be reduced.

## **Syphon Connection**

Insert the drain hose into a drain pipe with a minimum diameter of 40mm, or let it run into the sink, making sure to avoid bending or crimping it. The top of the hose must be less than 1000mm above the floor.

## **Start of Dishwasher**

The following things should be checked before starting the dishwasher.

- 1** The dishwasher is level and fixed properly into place
- 2** The water supply tap is open
- 3** There are no leaks at the connections of the water supply hose
- 4** The plug is fully and firmly inserted into the electrical socket
- 5** The power is switched on
- 6** The inlet and drain hoses are free of kinks or knots
- 7** All packing materials and documents have been taken out of the dishwasher



**Attention** After installation, please make sure to keep this manual.

The content of this manual is essential to proper operation and care

# 8. Troubleshooting Tips

## Before Calling for Service



	<i>Problem</i>	<i>Possible Causes</i>	<i>What To Do</i>
Technical problems	<i>Dishwasher doesn't start</i>	Fuse blown, or the home circuit breaker has been triggered.	Replace fuse or reset circuit breaker. Remove any other appliances sharing the same circuit with the dishwasher
		Power supply is not turned on	Make sure the dishwasher is turned on and the door is closed securely. Make sure the power cord is properly plugged into the wall socket.
		Error code:E1; Water pressure is low	Ensure the water supply is turned on & connected properly, and that the supply hose is not kinked or pinched.
		Door of dishwasher not properly closed.	Make sure to close the door properly and latch it.
<i>water not pumped from dishwasher</i>	Kink in drain hose	Check drain hose.	
	Filter clogged	Check the filter (see section titled " Cleaning The Filter ")	
	Kitchen sink clogged	Check the kitchen sink to make sure it is draining well. If the problem is the kitchen sink not draining ,you may need a plumber rather than a serviceman for dishwashers.	
General problems	<i>Suds in the tub</i>	Improper detergent	Use only the special dishwasher detergent to avoid suds. If this occurs, open the dishwasher and let suds evaporate. Add 1 gallon of cold water to the tub. Close and latch the dishwasher, then select any cycle. Dishwasher will drain out the water at the first step. Open the door after the draining has stopped and check if the suds have disappeared. Repeat if necessary.
		Spilled rinse-aid	Always wipe up rinse-aid spills immediately.
	<i>Stained tub interior</i>	Detergent with colourant was used	Make sure that the detergent is one without colourant.
	<i>White film on inside surface</i>	Hard water minerals	To clean the interior, use a damp sponge with dishwasher detergent and wear rubber gloves. Never use any other cleaner than dishwasher detergent to avoid the risk of over-foaming.
	<i>There are rust stains on cutlery</i>	The affected items are not corrosion resistant.	
Noise	<i>Knocking noise in the wash cabinet</i>	A spray arm is knocking against an item in a basket	Interrupt the programme, and rearrange the items which are obstructing the spray arm.
	<i>Rattling noise in the wash cabinet</i>	Items of crockery are loose in the wash cabinet	Interrupt the programme, and rearrange the items of crockery.
	<i>Knocking noise in the water pipes</i>	This may be caused by on-site installation or the cross-section of the piping.	This has no influence on the dishwasher function. if in doubt, contact a suitably qualified plumber.



Unsatis-  
-factory  
washing  
result

<i>Problem</i>	<i>Possible Causes</i>	<i>What To Do</i>
<i>The dishes are not clean</i>	The dishes were not loaded correctly.	See notes in " Loading the Dishwasher Baskets ".
	The programme was not powerful enough.	Select a more intensive programme. See" Wash Cycle Table ".
	Not enough detergent was dispensed.	Use more detergent, or change your detergent.
	Items are blocking the path of spray arms.	Rearrange the items so that the spray arm can rotate freely.
	The filter combination in the base of wash cabinet is not clean or is not correctly fitted. This may cause the spray arm jets to get blocked.	Clean and/or fit the filter combination correctly. Clean the spray arm jets. See "Cleaning the Spray Arms".
<i>Cloudiness on glassware</i>	Combination of soft water and too much detergent.	Use less detergent if you have soft water and select a shorter cycle to wash the glassware and to get them clean.
<i>Black or grey marks on dishes</i>	Aluminum utensils have rubbed against dishes.	Use a mild abrasive cleaner to eliminate those marks.
<i>Detergent left in dispenser cups</i>	Dishes block detergent cup lid.	Re-load the dishes properly.

Unsatis-  
-factory  
drying  
result

<i>The dishes are not drying</i>	Improper loading	Load the dishwasher as suggested in the directions.
	Too little rinse-aid	Increase the amount of rinse-aid/refill the rinse-aid dispenser.
	Dishes are removed too soon	Do not empty your dishwasher immediately after washing. Open the door slightly so that the steam can escape. Begin unloading the dishwasher only once the dishes are barely warm to the touch. Empty the low basket first. This prevents water from dropping off dishes in the upper basket.
	Wrong program has been selected	In short programs the washing temperature is lower. This also lowers cleaning performance. Choose a program with a longer washing time.
	Use of cutlery with a low-quality coating	Water drainage is more difficult with these items. Cutlery or dishes of this type are not suitable for washing in the dishwasher.

## Error Codes

When some malfunctions come on, the appliance will display error codes to warn you:

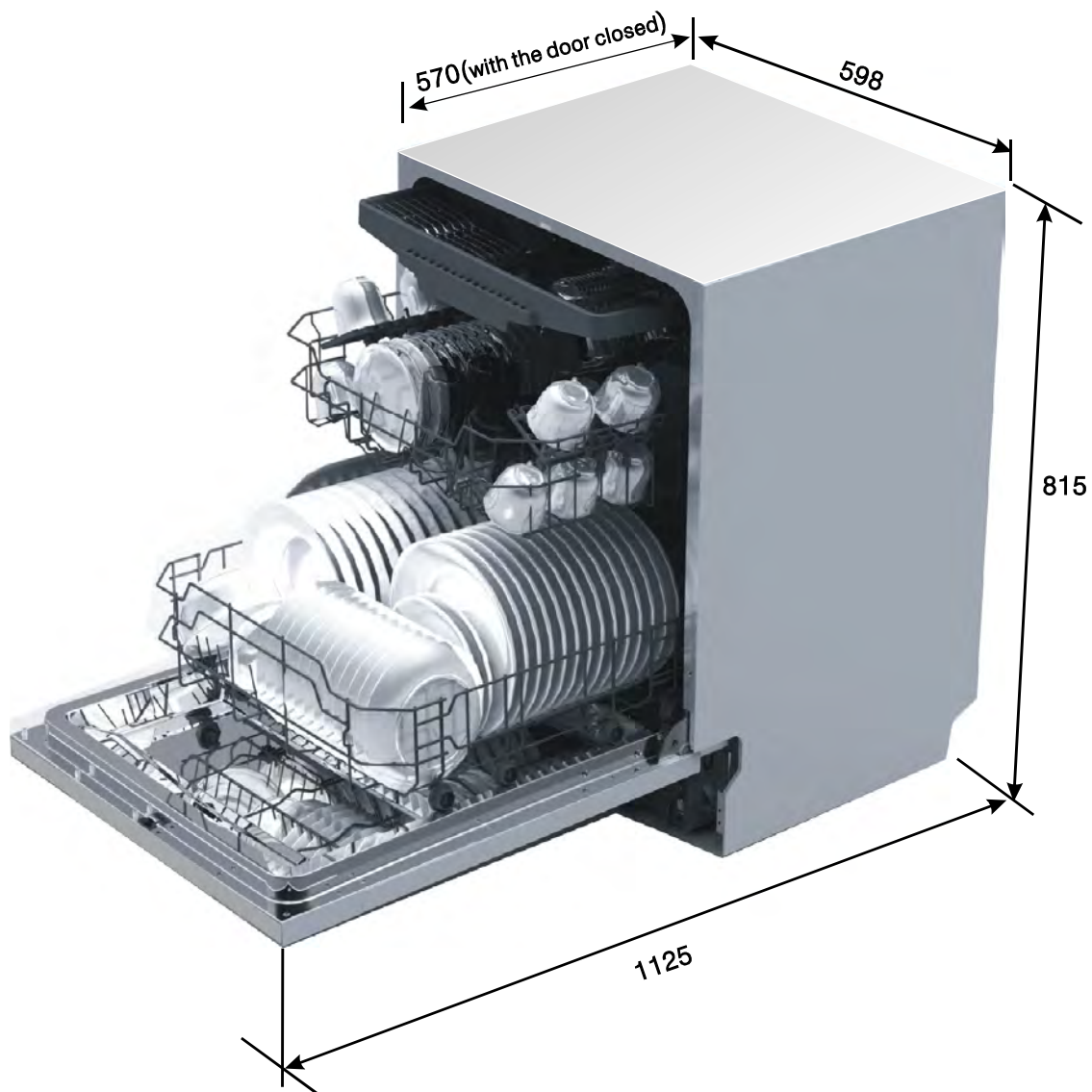
<i>Codes</i>	<i>Meanings</i>	<i>Possible Causes</i>
E1	Long filling time.	Water tap is not open, or water intake is restricted, or water pressure is too low.
E4	Overflow.	Some part of dishwasher is leaking into base.
E8	Failure of water of distribution valve.	Open circuit in distribution valve.
EC	Fault of PCB data transmission.	PCB failure

### ⚠ WARNING!

- If overflow occurs, turn off the main water supply before calling for service. If there is water in the base pan because of an overflow or small leak, the water should be removed before restarting the dishwasher.



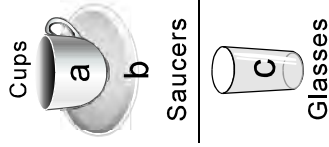
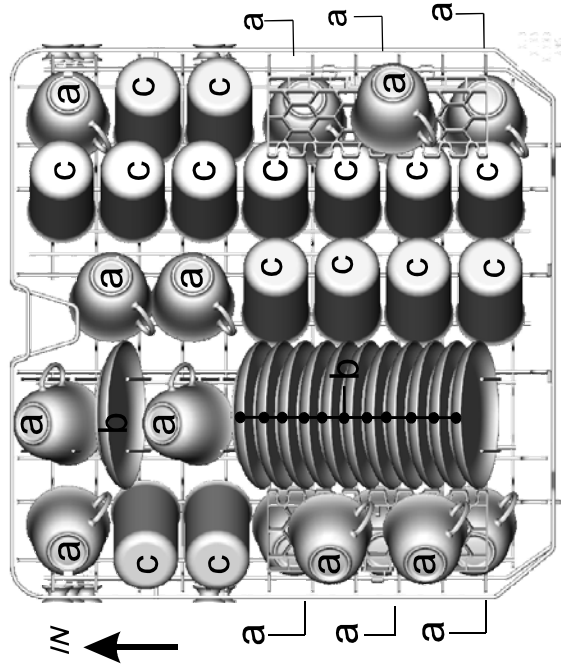
## Technical Information



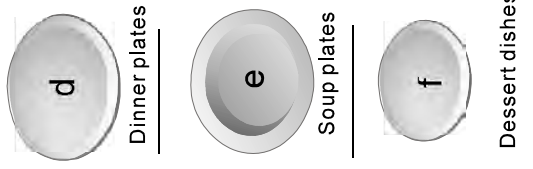
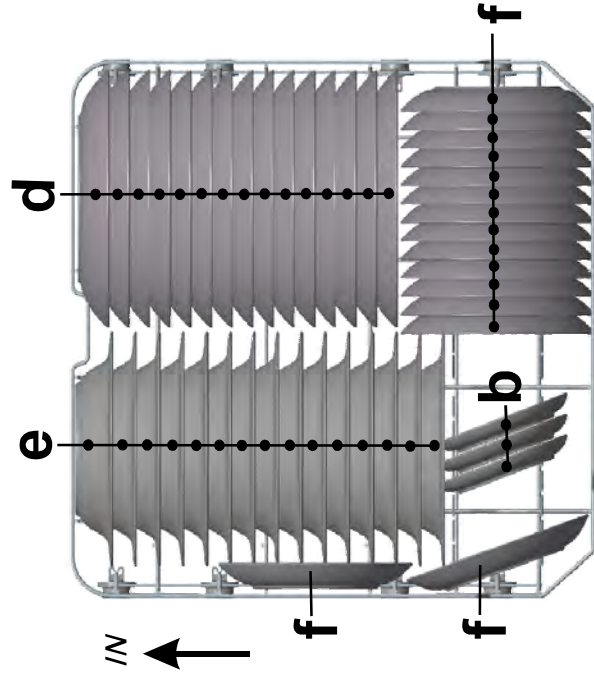
Height :	815mm
Width :	598 mm
Depth :	570mm (with the door closed)
Water pressure:	0.04-1.0MPa
Power supply:	see rating label
Capacity:	15 place settings

# Loading the baskets according to (\*AS/NZS 2007.1) :

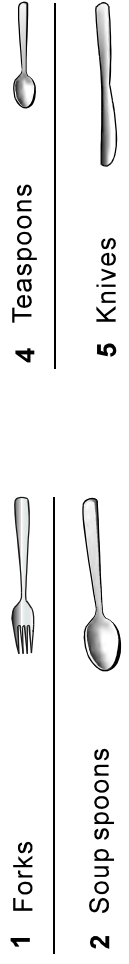
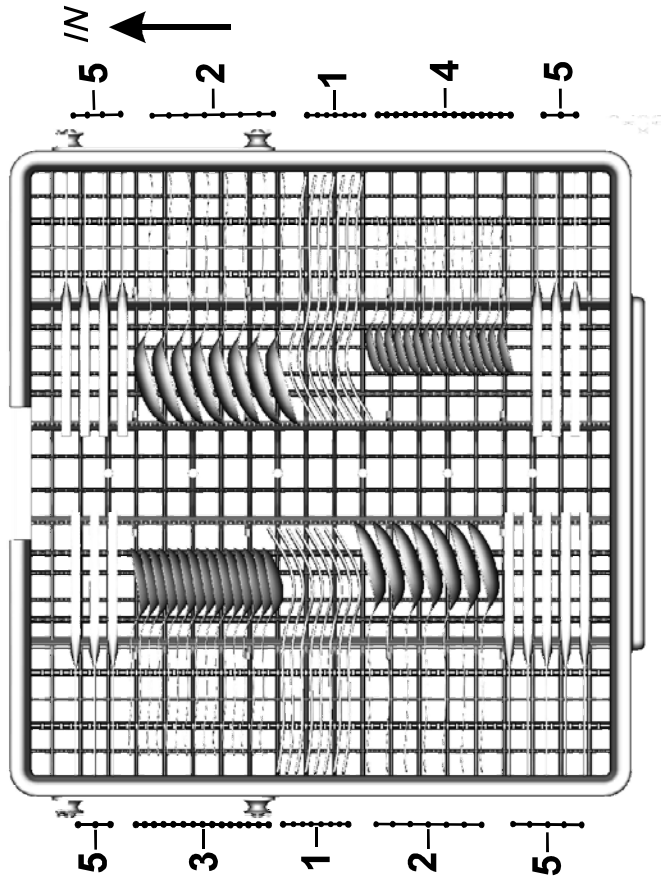
## 1.Upper basket:



## 2.Lower basket:



## 3.Cutterly basket:



Information for comparability tests in accordance with (\*AS/NZS 2007.1)

- Voltage:230V/50Hz
- Capacity: 15 place settings
- Position of the upper basket: lower position
- Programme: Normal
- Detergent(Pre/main): 5 g/28.75 g
- Rinse aid setting: 6

# KLEENMAID WARRANTY TERMS AND CONDITIONS

1. Compass Capital Services Pty Ltd ABN 96 138 214 525 trading as Kleenmaid will provide parts and labour to you the customer as set out herein.
2. Kleenmaid's Products come with guarantees that cannot be excluded under the Australian Consumer Law. You are entitled to a replacement or refund for a major failure and for compensation for any other reasonably foreseeable loss or damage. You are also entitled to have the goods repaired or replaced if the goods fail to be of acceptable quality and the failure does not amount to a major failure.
3. The benefits given to you under this Kleenmaid Warranty are in addition to other rights and remedies to which you may be entitled under the Australian Consumer Law in relation to the Product to which this Kleenmaid Warranty relates. Subject to the conditions below, the Product is warranted by Kleenmaid and/or its agents to be free from defects in materials and workmanship for the Warranty Period for normal Domestic Use.
4. Product Identification: -
  - a. Kleenmaid reserves the right to reject claims for any services or work where you cannot produce for verification the serial number and a proof of purchase for the Product (including but not limited to the original invoice).
  - b. This Kleenmaid Warranty will be voided if the serial number for the Product cannot be verified. This is not intended to exclude, restrict or modify any right or remedy to which you may otherwise be entitled under the consumer guarantee provisions of the Australian Consumer Law.
  - c. In the event that a request for repair is made against this Kleenmaid Warranty where the serial number for the Product cannot be verified or you cannot produce for verification a proof of purchase for the Product (including but not limited to the original invoice), the repairer will not carry out any repairs on the Product and you will be charged a service call-out fee.
5. What is covered by this Kleenmaid Warranty: -
  - a. The Product is covered for faulty workmanship or parts that have failed under normal Domestic Use.
  - b. Kleenmaid and/or its agents will determine by objective testing if there are any defects in the Product and/or faulty workmanship.
  - c. This Kleenmaid Warranty is only applicable if repairs on Products are carried out within Mainland Australia.
  - d. This Kleenmaid Warranty: -
    - i. covers a Product purchased as new, manufactured for use in Mainland Australia;
    - ii. commences from the date of delivery of the Product;
    - iii. provides for the labour and replacement parts necessary to maintain the Product in good operating condition as specified in this Kleenmaid Warranty, however, if repair is needed because of Product failure during normal Domestic Use, Kleenmaid has the option to repair or replace the defective Product or part of the Product with a product or part of like kind and quality. A replacement part may be new or reconditioned of like kind and quality and may cost less than the original Product purchased and no charges or refunds will be made based on the replacement product or part cost difference; and
    - iv. is only applicable when the Product is used and operated in accordance with the Manufacturer's instructions.
6. What is not Covered by this Kleenmaid Warranty (excluded):-
  - a. any damage or failure to or of the Product or part of the Product:
    - i. due to the Product being inadequately serviced to manufacturer's recommendations;
    - ii. resulting from environmental conditions including and not limited to dirt, dust, rodents, insects, rust, corrosion, salt built-up, of or in any part of the Product;
    - iii. resulting from excessive use but fair wear and tear is excepted;
    - iv. resulting from poor installation including and not limited to positioning and externally fitted equipment such as plumbing and drainage, cabling, antennae or due to incompatibility of connected equipment;
    - v. caused by overheating as a result of sitting or positioning of the Product, where there is no provision for adequate ventilation or adequate protection from excessive dust;
    - vi. if the Product has been dismantled, repaired or serviced by any person other than someone authorised by Kleenmaid or its agents or representatives;
    - vii. caused by power surges or spikes, including and not limited to, mains power and telecommunications connections, or to other unspecified sources, incorrect power current, voltage fluctuation, amperage fluctuation, rust or corrosion;
    - viii. if the Product is dropped, collision of the Product with another object, use for which the Product is not designed, damage to the Product caused by your own negligence, accidental or deliberate misuse of the Product by you, theft, abuse, vandalism, flood, fire, earthquake, electrical storms or any other act of God or any war related events; or
    - ix. due to the introduction of abnormal heat loads to the Product;
  - b. costs of attendance and testing where no fault or defect covered by the terms of this Kleenmaid Warranty is identified in the Product;
  - c. initial setup and installation of the Product;
  - d. normal maintenance costs and costs incurred through the installation of items listed as requiring periodic replacement;
  - e. Products with removed or altered serial numbers;
  - f. consumables such as but not limited to bulbs/globes, glass, seals, filters, batteries and remote controls;
  - g. removal and reinstallation of an internal component not performed by an authorised Kleenmaid agent or representative or authorised service centre;

- h. cosmetic or structural items; or
  - i. any failures due to interference from or with other products and/or sources.
7. This Kleenmaid Warranty ceases if: -
    - a. the Product ceases to carry the original manufacturer's serial number or is sold at an auction;
    - b. the Product is rented;
    - c. damage to the Product has occurred as listed in point 7a; or
    - d. there is failure to pay monies owing on invoices as a result of non-warranty work been carried out at the request of the end user as per point 16 below.
  8. Neither Kleenmaid nor its representatives provide loan equipment under the terms of this Kleenmaid Warranty.
  9. Any unauthorised access to the internal hardware of the Product will void this Kleenmaid Warranty.
  10. Repair Notice: Products presented for repair may be replaced by refurbished Products of the same type rather than being repaired. Refurbished parts may be used to repair the Products.
  11. Replacement items are "like for like" and is not "new for old" and does not indicate in any way that a faulty Product will be replaced with a new part or unit. "Like for like" may either be a quality checked, refurbished or reconditioned unit of the same or later batch of model/size/specifications
  12. The cost of making a claim under this Kleenmaid Warranty is not covered by Kleenmaid, including any costs of transportation or travel expenses between your home and your nearest authorised service agent.
  13. Kleenmaid accepts no liability for items that are lost, damaged, or stolen as a result of freight, transport or storage. If you are required to transport the Product to an authorised service centre, you must ensure that it is securely packed and insured.
  14. On Public Holidays or other periods when regular business and wholesale operations are temporarily ceased, repairer availability and warranty response times may extend beyond the standard response times due to the unavailability of repairers and parts.
  15. For any repair performed on a Product under this Kleenmaid Warranty where no fault can be found, or the item is deemed by Kleenmaid or an authorised agent, to be not faulty under this Kleenmaid Warranty, or the repair or fault is not covered under this Kleenmaid Warranty, a 'No Fault Found' fee is payable by you. Kleenmaid will advise you of this cost and seek your agreement to pay such costs before commencing such repairs.
  16. Any repairs or services required that are outside the terms and conditions of this Kleenmaid Warranty can be carried out at your request at your cost (including where the Product has not been installed or set up correctly). Kleenmaid will always advise you of this cost and seek your agreement to pay such costs before commencing such repairs. A credit card may be required prior to the commencement of such services.
  17. Extra charges will be payable by the customer should the Product not be readily accessible without special equipment, such as but not limited to cranes and lifts or should the Product be installed in a position that service access is blocked and/or repair work is not possible without uninstalling the Product to gain access.
  18. You, the customer, may be entitled to purchase an extended warranty in respect of the Product. Any extended warranty will not be issued by Kleenmaid but by a third party. Any extended warranty services will be provided directly by the third party as principal and not as agent for Kleenmaid, under their extended warranty terms and conditions and not under this Kleenmaid Warranty.
  19. To make a claim under this Kleenmaid Warranty, please have your proof of purchase and the serial number of the Product ready and call (02) 9310 1207 during business hours.
  20. This Kleenmaid Warranty is given by:
    - Name: Compass Capital Services Pty Ltd ABN 96 138 214 525 trading as Kleenmaid
    - Business address: Level 2, Suite 3, 204 Botany Rd, Alexandria NSW Australia 2015
    - Telephone: (02) 9310 1207
  21. Definitions:
    - a. **Australian Consumer Law** means the *Competition and Consumer Act 2010* (Cth).
    - b. **Domestic Use** means use of the Product for personal, domestic or household purposes.
    - c. **Kleenmaid** means Compass Capital Services Pty Ltd ABN 96 138 214 525 trading as Kleenmaid.
    - d. **Mainland Australia** means the following States and Territories of Australia: New South Wales, Victoria, South Australia, Western Australia, Queensland, Tasmania, Northern Territory, Australian Capital Territory.
    - e. **Product** means the appliance sold by Kleenmaid to you as evidenced by the original purchase invoice.
    - f. **Warranty Period** means the period of 36 months for domestic use, 12 months for non-domestic use or such alternative period as may be specified.

**UPDATE NOTICE:** This Kleenmaid Warranty is current as at 7 March 2017 but is subject to variation from time to time. For the latest version of the Kleenmaid Warranty, please see our website <http://www.kleenmaid-appliances.com.au/support/your-kleenmaid-warranty> or phone us on (02) 9310 1207.







## Other products available in the Kleenmaid range of appliances

---

- | Washing machines
- | Clothes dryers
- | Dishwashers
- | Ovens
- | Cooktops
- | Steam ovens
- | Microwave ovens
- | Built in espresso  
coffee machines
- | Rangehoods
- | Freestanding ovens

Compass Capital Services Pty Limited  
trading as Kleenmaid  
ABN 96138214525

Level 2, 204 Botany Road  
Alexandria NSW 2015

E: [support@kleenmaid.com.au](mailto:support@kleenmaid.com.au)  
[www.kleenmaid.com.au](http://www.kleenmaid.com.au)

