



Installation and User Manual

**Model: DOUBLE FLOW (3417)**



KITCHEN & LAUNDRY SINKS



BATHROOM BASINS



TAPWARE



RANGEHOODS & EXTRACTORS



COOKING APPLIANCES



WASTE DISPOSALS

## Table of contents

1.	<b>TECHNICAL DRAWING</b>	3
2.	<b>WARNING AND SAFETY PRECAUTIONS</b>	4
	2.1 Lethal risk, danger & poisoning	6
3.	<b>USAGE WITH &amp; WITHOUT CARBON FILTER</b>	10
4.	<b>REPLACEMENT OF CARBON FILTER</b>	11
5.	<b>CLEANING &amp; PREVENTATIVE MAINTENANCE</b>	13
	5.1 Cleaning the metal oil filters	14
	5.2 Cleaning the main chamber	15
6.	<b>CONTENT OF PACKAGE</b>	16
7.	<b>INSTALLATION &amp; ASSEMBLY</b>	17
	7.1 Drawings for assembly	17
	7.2 Clean extractor fan hood	24
	7.3 Installation	24
8.	<b>OPERATION</b>	26
	8.1 Safety when operating	26
9.	<b>CONTROLLER</b>	27
	9.1 RPM decrease/shut down via control unit	27
	9.2 Turn on/RPM increase via control unit	27
	9.3 Timer via control unit	27
	9.4 Delete fat filter cleaning indication	27
10.	<b>ERROR NOTIFICATIONS</b>	28
	10.1 Behavior when error arrives	28
	10.2 Error table	28

# 1 Technical Drawing

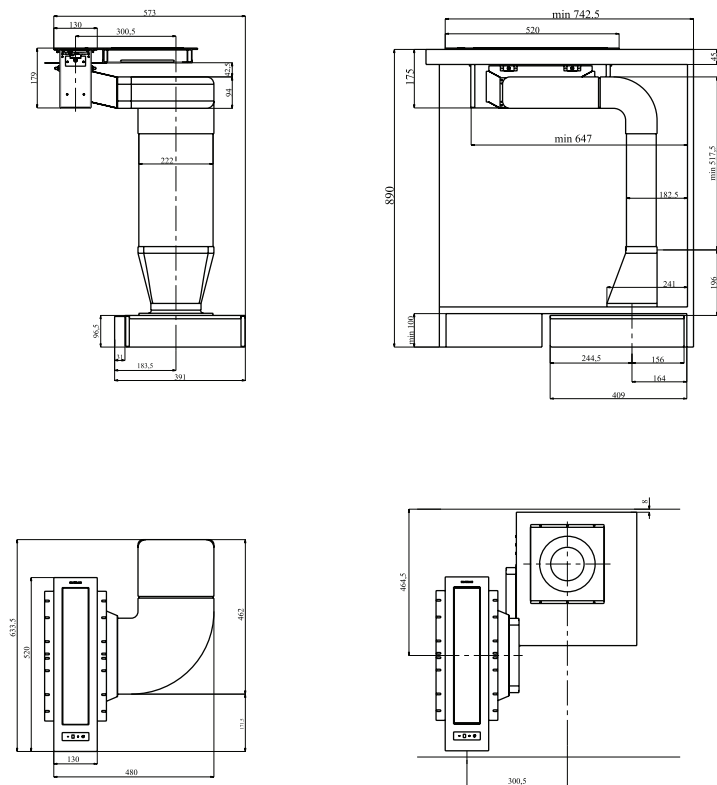


Fig. 1

## 2 WARNING AND SAFETY PRECAUTIONS

### WARNING AND SAFETY PRECAUTIONS

- This appliance can be used by children of 8 years and older, people with physical, sensory or mental capability deficiency or people with lack of experience or knowledge; as long as they are provided supervision or instructions for the safe use of the appliance and they comprehend the dangers.
- Children should not tamper with the appliance. Cleaning and user maintenance operations must not be performed by children unless supervised.
- This product is designed for home use.
- Usage voltage of your product is 220-240 Volt~50-60 Hz.
- Power cord of your product is fitted with a grounded plug. This cord must be plugged into a grounded outlet.
- The whole electrical wiring must be installed by a qualified electrician.
- Installation by unauthorized persons could lead to poor operation performance, damage to the product, and accidents.
- Feeder cable of the appliance mustn't be exposed to jamming or crashing during assembly. Feeder cable mustn't be placed near the cooker. In such cases, it might melt down and lead to fire.
- Do not plug in the appliance before the installation.
- Make sure that the installation place allows the user to easily unplug the power cable in case of any danger.
- Do not touch your product's lamps when they work for a long time. The lamps may burn your hand as they will be hot.
- Kitchen hoods are manufactured for household use in normal home cooking. There is a risk of malfunction in other types of use, and the product guarantee will be void.
- Comply with the rules and instructions regarding discharge of outgoing air, stipulated by the relevant authorities. (This warning does not apply to uses without flue.)
- Flammable foods must not be cooked under the appliance.
- Start your product after you place pot, pan etc. on the stoves. Otherwise, high temperature may cause some parts of your products to deform.
- Turn off the cooker's burner before taking the saucepan, pan, etc. off the cooker.
- Do not leave boiling oil on the stove. Pots that contain boiling oil may catch fire by itself.
- Since oils could catch fire when you cook fried foods in particular, be careful about your curtains and tablecloths.
- Ensure timely replacement of the filters. Filters not replaced in a timely manner pose risk of fire due to accumulated grease deposits on them.
- Do not use non-fire-resistant filtering materials instead of the filter.
- Do not operate your product without filter, and do not remove the filters when the product is in operation.
- In case of any fire, de-energize the hood and any other cooking devices. (Plug off the appliance or turn off the main switch.)

- If your product's periodic cleaning is not made in a timely manner, it could pose risk of fire.
- De-energize the appliance before any maintenance operations. (Plug off the appliance or turn off the main switch.)
- When electric cooker hood and devices fed with energies other than electricity operate simultaneously, the negative pressure in the room must not exceed 4 Pa ( 4 X 10 bar ).
- Gas or fuel oil burning appliances, such as room heaters, which share the same environment with your product, must be fully insulated from the exhaust of this product or they must be hermetical.
- When you make a flue connection for your product, use pipes with a diameter of 150mm or 120 mm. The length of the duct connection as well as the number of elbows must be as minimum as possible. **Use Naber ducting where possible**
- Children must not play with the appliance.
- For your safety, use "MAX 6 A" fuse in the hood system.
- Since the packing materials could be dangerous, keep them away from children.
- If the feeder cable is damaged, it must be replaced by its manufacturer or its authorized technical service or any other personnel qualified at the same level, in order to avoid any dangerous situation.
- In case of any deflagration, de-energize the cooker hood and cooking appliances, and cover the flame. Never use water to extinguish the fire.
- When cooking appliances are in operation, their accessible parts could be hot.
- This appliance is not intended to be used by people with physical, sensory and mental disabilities (including children) or those who have not adequate experience and knowledge regarding its use, unless they are under the supervision of a person responsible for the safety of the appliance.
- Output of the hood must not be connected to air ducts, where there exist another smokes.
- You must be careful when using the appliance spontaneously with other appliances (e.g. gas, diesel fuels, coal, wood, etc. burning heaters, shower heaters), which use the same air in the same environment. Attention must be paid when using them simultaneously. It is because the hood could adversely affect the combustion, by discharging the ambient air.
- This warning does not apply to uses without flue.
- When electric cooker hood is used simultaneously with devices that use gas or other fuels, there must be sufficient ventilation in the room (might not apply to devices that discharges the air back into the room).

## 2.1 LETHAL RISK, DANGER OF POISONING



### **DANGER!**

#### **Warning - Choking Hazard**

The packaging materials are dangerous for children. Never allow children to play with packaging materials.



### **DANGER!**

#### **Warning - Death Hazard**

There are life-threatening danger and poisoning danger due to reabsorbed combustion gases. During the air discharge outlet use, unless sufficient air supply is provided, do not use the appliance simultaneously with devices that discharge toxic gases through flue such as ventilated, gas, oil, wood or coal burning heaters, shower heaters, water heaters, etc. Fig. 2

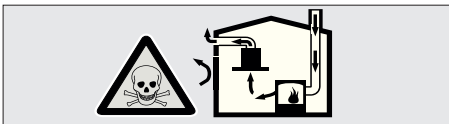


Fig. 2: Poisoning Danger

Ventilated goods (e.g. gas, oil, wood or coal burning heaters, shower heaters, water heaters) take combustion air from the installation location, and discharge the waste gas through a waste gas system (e.g. flue). When the cooker hood is active, it absorbs air from the kitchen and neighbouring rooms. If adequate air entry is not provided, vacuum emerges. In such a case, the toxic gases are absorbed from the flue and waste gas channel, and are taken into to door again. Fig. 2

- Therefore, adequate fresh air ingress must always be ensured. Fig. 3

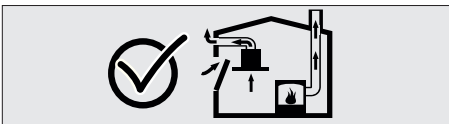


Fig. 3



### **WARNING!**

#### **Fire danger!**

- The oil residue in the oil filter may catch fire. **Clean the oil filter at least once every 3 months.** Never operate the device without the oil filter.
- The oil residue in the oil filter may catch fire. Never work with open flame (ex. flambe) near the device. The apparatus is allowed to be installed near a solid fuel (e.g. wood or coal) heater only if it has a non-removable cover. No sparks should be scattered.
- Hot oils and fats catch fire easily. Hot oils and fats should never be left unattended. Never try to put out the fire with water. Turn off the cooker. Kill the flames carefully using a cover, fire blanket or a similar material.
- Gas operated cookers that do not have a cooking pot on create high heat during operation. A ventilation device placed over the cookers can be damaged or burned for this reason. Operate gas cookers only when there is a cooking pot on them.
- Operating multiple gas cookers simultaneously creates high heat. A ventilation device placed over the cookers can be damaged or burned for this reason. Never operate two gas cookers longer than 15 minutes on high flame setting. A large burner over 5kW (Wok) has the power of two gas burners.



### **WARNING!**

#### **Electrocution hazard!**

- A malfunctioning device may cause electric shock. Never turn on a malfunctioning device. Pull the power plug and switch off the circuit breaker. Call customer service.
- Unsuitable repairs pose hazards. Repairs and replacement of damaged power cords must be performed only by a customer services technician trained by us. If the device is malfunctioning pull the power plug and switch off the circuit breaker. Call customer service.
- Water leaking into the device may cause electric shock. High pressure or steam cleaners must not be used.



### **DANGER!**

#### **Danger of physical injury!**

- During the installation, there is a danger of physical injury due to the sharp edges. Use protective gloves throughout the installation process of the appliance.
- Due to risk of dropping the appliance, assembly of all safety bolts and covers must be performed as specified in the user manual.
- Objects placed on the appliance may fall over. Do not place any objects on the device.
- LED lights are very bright and may damage eyes (Risk group 1). You must not look directly at running LED lights for longer than 100 seconds.



### **WARNING!**

#### **Risk of burn, risk of electric shock!**

- Allow the appliance to cool before cleaning or maintenance process. Switch off the fuse or pull out the mains plug from the socket.
- There is risk of damage due to ingress of moisture in the electronics. Do not clean the control components with a wet cloth.
- The surface could be damaged due to a wrong cleaning process. Clean stainless steel surfaces only in their brushing direction. Do not use a stainless steel cleaner for the control elements.
- The surface could be damaged due to aggressive and abrasive cleaning agents. Never use aggressive and abrasive cleaning agents.



### **WARNING!**

#### **Dangers of fire and physical injury!**

In case of repairing that is not performed according to the rules or as required, turn off the fuse or unplug the feeder cable of your appliance. Repairing must be performed only by the authorized technical service or authorized experts.



### **NOTICE!**

If the appliance is faulty or damages, turn off the fuse or unplug the feeder cable of your appliance and call the authorized service.



**NOTICE!**

If the feeder cable is damaged, it must be replaced by its manufacturer or its authorized technical service or any other personnel qualified at the same level, in order to avoid any dangerous situation.

**NOTICE!**

When the bulbs of the device malfunction, switch off the circuit breaker and unplug the device's power plug from the socket. Replace the defective bulbs immediately (leave bulbs to cool down first), in order to protect the remaining bulbs against overloading.

**CAUTION!**

Accessible components might be heated when used with cooking devices.

**DANGER!**

Air outlet pipe of this appliance mustn't be connected in the flue used to discharge the fume generated by devices that use gas or other fuels.

**Damage reasons****CAUTION!**

Damage hazard due to corrosion. Always run the appliance to prevent condensate formation while cooking. Condensates may cause corrosion damage. Replace the malfunctioning lamp right away to prevent overloading of other lamps. Moisture intrusion in electronic parts poses a risk of damage. Never clean the control elements with a wet cloth. The surface could be damaged due to a wrong cleaning process. Clean stainless steel surfaces only in their brushing direction. Do not use a stainless steel cleaner for the control elements. The surface could be damaged due to aggressive and abrasive cleaning agents. Never use aggressive and abrasive cleaning agents. There is a risk of damage due to condensate liquid backflow. Install the air exit canal with a small downward inclination (1° inclination) from the appliance.

### 3 USAGE WITH AND WITHOUT CARBON FILTER



*You can use this appliance in exhaust air mode and ventilated air mode.*

#### Exhaust air mode

The absorbed air is cleaned by the grease filters, and is discharged through a piping system. Fig. 4

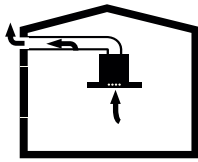


Fig. 4: Air Outlet without Carbon Filter



#### NOTICE!

Exhaust air must not be transferred to an active smoke or waste gas flue; or a flue used for ventilation of the places, where heat sources are installed.

- If you want to transfer exhaust air to an inactive smoke or waste gas flue, you need to obtain permission from an authorized chimney sweep.
- If exhaust air is discharged through the external wall, a telescopic wall safe must be used.

#### Ventilated air mode



*Absorbed air is cleaned by the grease filters and an active carbon filter, and then it is transferred back to the kitchen. Fig. 5*

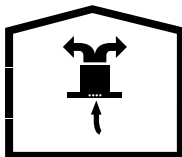
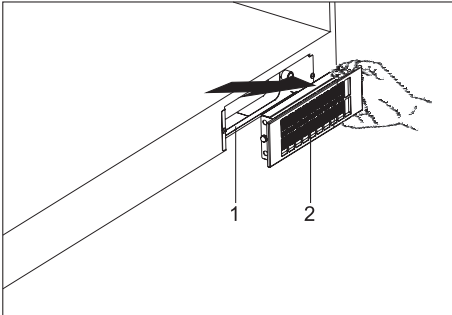


Fig. 5: Air Circulation with Carbon Filter



*You need to install an active carbon filter, in order to catch the substances, which cause stink in the circulating air. Consult your authorized dealer to know the different opportunities available for enabling the appliance to function in circulating air mode. You can buy the accessories required for this process from the relevant outlets, authorized technical service or online sales center.*

## 4 REPLACEMENT OF CARBON FILTER



1. → active carbon filter (Fig. 6/2) by pulling it towards the direction of the arrow(Fig. 6).

Fig. 6

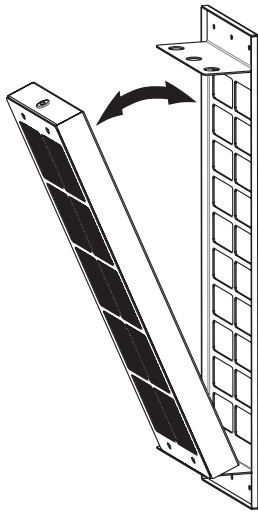
- 1- Active Carbon Filter
- 2- Active Carbon Filter



2. → Remove the connection screw of the active carbon filter ( Fig. 7/1) by turning in the direction of the arrow.

Fig. 7

- 1- Connection screw of the active carbon filter
- 2- Active Carbon Filter



*Fig. 8*

**Placing the active carbon filter**

- 3.** → Remove the active carbon filter (Fig. 8).
- 4.** → Make the active carbon filter reusable by holding in the at 175 - 200 °C for 60 - 90 minutes in the oven.

- 5.** → Attach the active carbon filter by performing the reverse of the procedures given above.

## 5 CLEANING AND PREVENTIVE MAINTENANCE



### CAUTION!

Cleaning and user maintenance of the appliance shall not be performed by unattended children.

- The surface could be damaged due to aggressive and abrasive cleaning agents. Never use aggressive and abrasive cleaning agents. Supply your cleaning and protective substances that are appropriate for your appliance from the authorized technical service. Surface of appliance and control units are sensitive to scratching.
- Clean the surfaces with a soft and damp cloth, dish-washing liquid or mild glass cleaning agent. Soften the dry, sticky dirt with a damp cloth. Do not scrape!
- It is not appropriate to use dry cloths, sponges that may scratch, materials that require rubbing, and other aggressive cleaning agents containing sand, soda, acid or chlorine.
- Clean the stainless steel surfaces in their brushing direction only.
- Do not use stainless steel cleaning agents and wet clothes for control units. Cleaning of metal grease filters Used metal grease filters retain the greasy particles in the moisture and vapour generated in the kitchen. Clean the metal grease filters about every three months, under normal use conditions (1 to 2 hours a day).
- Do not use excessively effective, acidic or alkaline cleaning agents.
- For cleaning the metal grease filters, clean the holder parts of the metal grease filters in the appliance, with a damp cloth as well.
- You can clean the metal grease filters in the dishwasher or by hand.
- Do not apply spray cleaning supplies directly to the product.
- Do not keep flammable and/or heavy decorative items on the product.

## 5.1 Cleaning the metal oil filters



### WARNING!

Risk of fire due to oil sediments in metal oil filter!  
There is a risk of fire due to oil sediments in metal oil filter.

- Clean the metal oil filter at least every 2 weeks or when the oil filter cleaning warning is displayed.
- Never operate the hood without a metal oil filter.



### NOTICE!

Material damage due to falling of the metal oil filter.

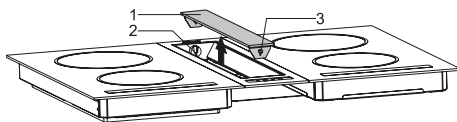


Fig. 9

- 1- Glass Cover
- 2- Glass Cover Moving Socket
- 3- Glass Cover Moving Pin

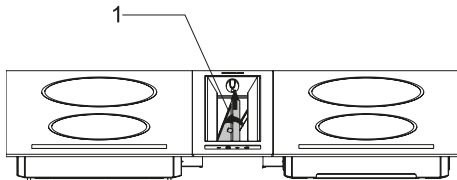


Fig. 10

- 1- Metal oil filter

### Hand-cleaning

### Washing n a dishwasher

### Removing the metal oil filters

1. → Pull and open the glass cover on the product towards the direction of the arrow (Fig. 9).

2. → 1 - Pull the oil filter in the direction of the arrow to yourself (Fig. 10).  
2 - Pull the oil filter in the direction of the arrow upwards (Fig. 10).
3. → Clean the metal oil filter with hand or in the dishwasher.

4. →



### NOTICE!

Material damage due to wrong detergent!

Soften the metal oil filter in hot water and clean it with a soft brush.

5. → Rinse the metal oil filter in hot water.
6. → Place the metal oil filter in the dishwasher loosely and steeply and without any other dishes.

7. ➔ Start a program with a maximum temperature of 55° C.



*Colour changes may occur due to cleaning in the dishwasher. They do not adversely affect the function of the metal oil filter.*

### After cleaning

8. ➔ Allow the metal oil filter to dry on an absorbent coaster.



*If the activated carbon filter is removed, rub it again on the metal oil filter.*

9. ➔ **Placing the metal oil filters**

10. ➔ Insert the metal oil filter in the filter socket on the product in the direction of the arrow (Fig. 11).

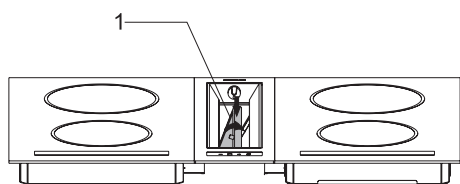


Fig. 11

1- Metal oil filter

11. ➔ Insert the glass cover, glass cover moving pin, (Fig. 12/3) on the glass cover moving socket (Fig. 12/2) on the product (Fig. 12).

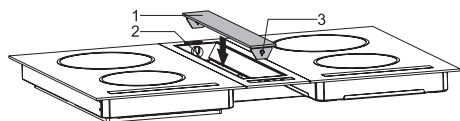


Fig. 12

1- Glass Cover  
2- Glass Cover Moving Socket  
3- Glass Cover Moving Pin

## 5.2 Cleaning the Main Chamber

### To access the main waste chamber:

1. ➔ Remove the glass cover on the product (Fig. 9).
2. ➔ Clean the metal oil filter (Fig. 10).
3. ➔ Pull the main waste container in the direction of the arrow and remove from the container socket (Fig. 13).

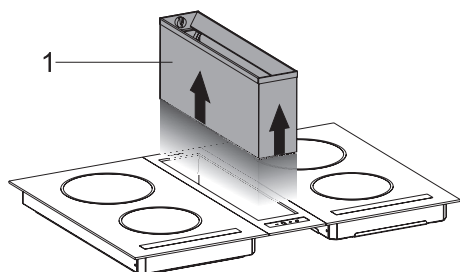


Fig. 13

- 1 To access the main waste chamber:

### Hand-cleaning

### Washing n a dishwasher

### After cleaning

4. ➔



**NOTICE!**  
Material damage due to wrong detergent!

Soften the metal oil filter in hot water and clean it with a soft brush.

5. ➔

Soften the metal oil filter in hot water and clean it with a soft brush.

6. ➔

Place the active carbon filter in the dishwasher loosely and steeply and without any other dishes.

7. ➔

Start a program with a maximum temperature of 30° C.

8. ➔

Allow the metal oil filter to dry on an absorbent coaster.

9. ➔

Insert the main waste container in the product.

10. ➔

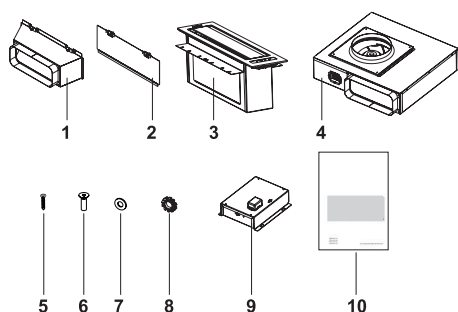
Install the metal oil filter (Fig. 11).

).

11. ➔

Insert the glass cover that you have previously removed on the product (Fig. 12).

## 6 CONTENT OF PACKAGE



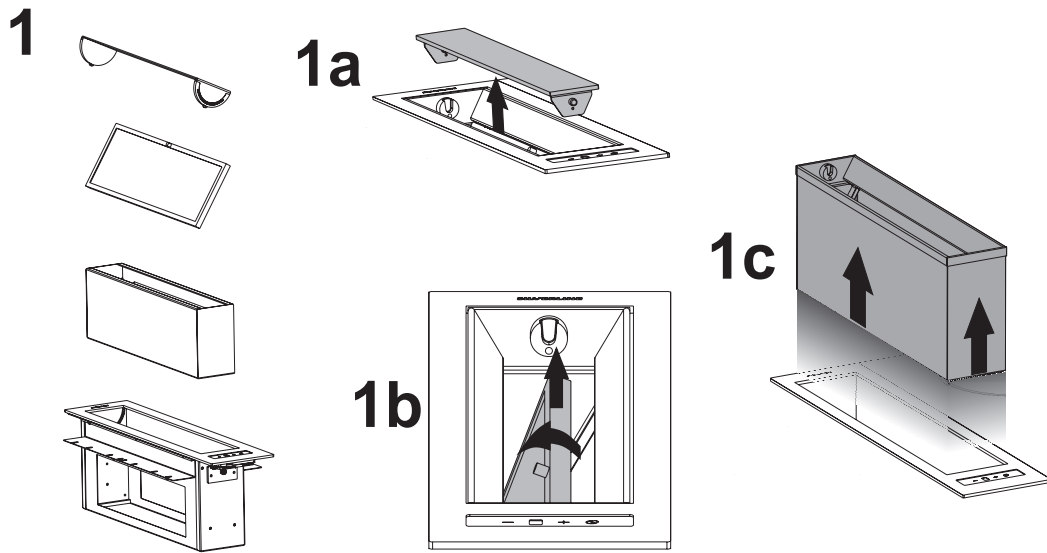
- 1- Metal Adapter
- 2- Metal Cap
- 3- Product
- 4- Motor Box
- 5- 4x 3.9x22 YSB Screw
- 6- 4x M4x16 Allen bolt
- 7- 4x Washer
- 8- 4x Washer
- 9- Circuit Box
- 10- User Manual

Fig. 14



## 7 Installation and Assembly

### 7.1 Drawings for Assembly



## 2

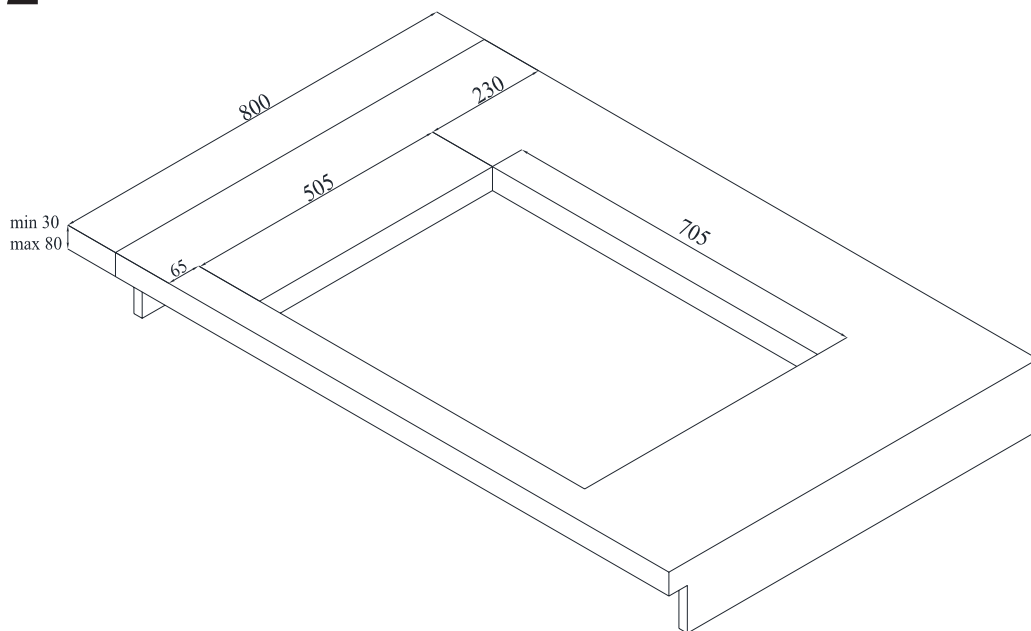
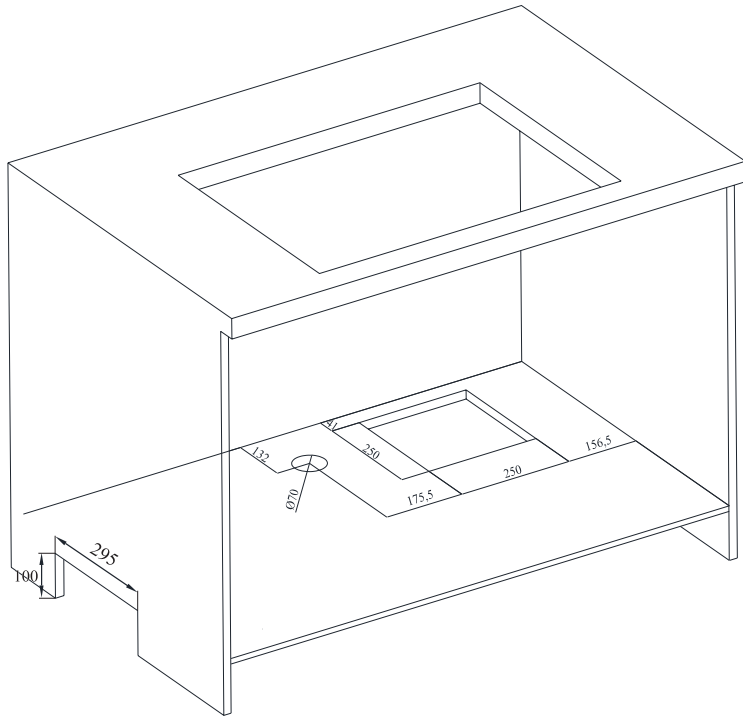


Fig. 15

Please note: These instructions are specific to glass option which is different to the 3416 model.

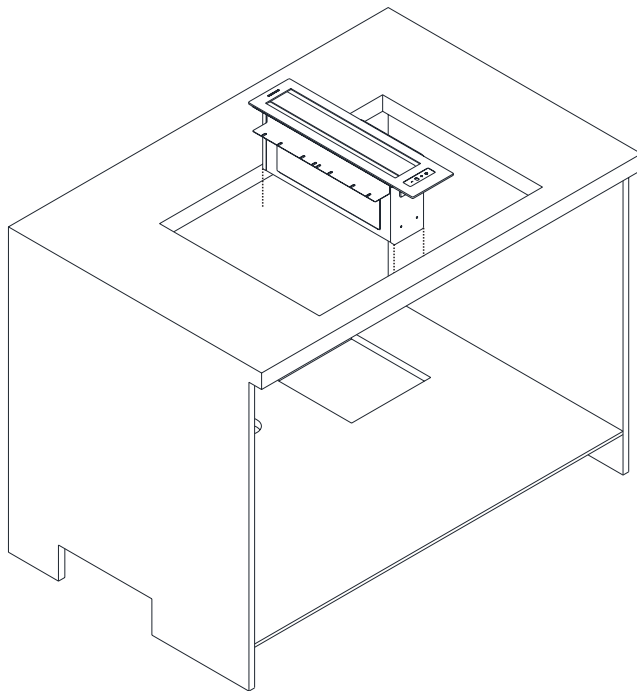
---

**3**



---

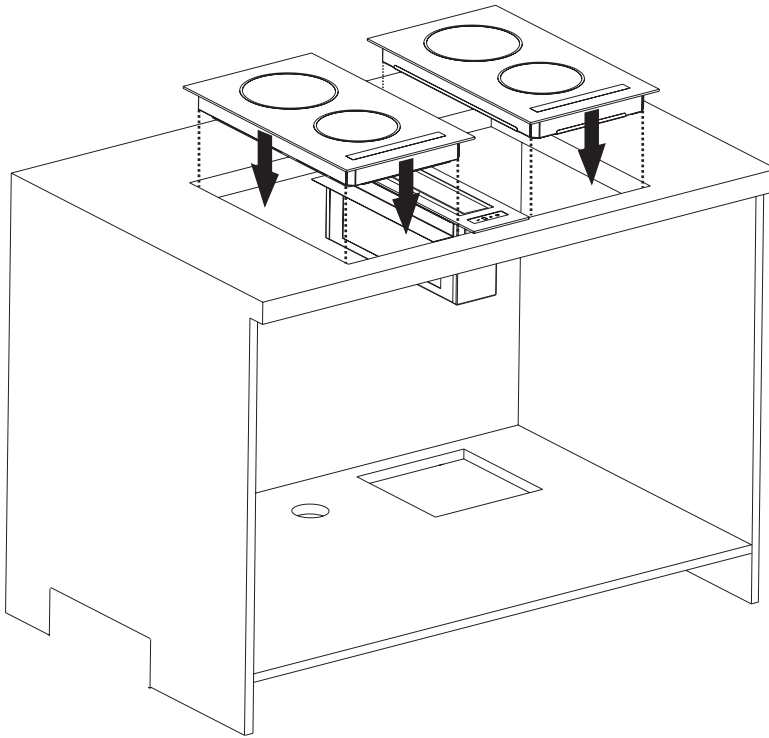
**4**



---

Fig. 16

5



6

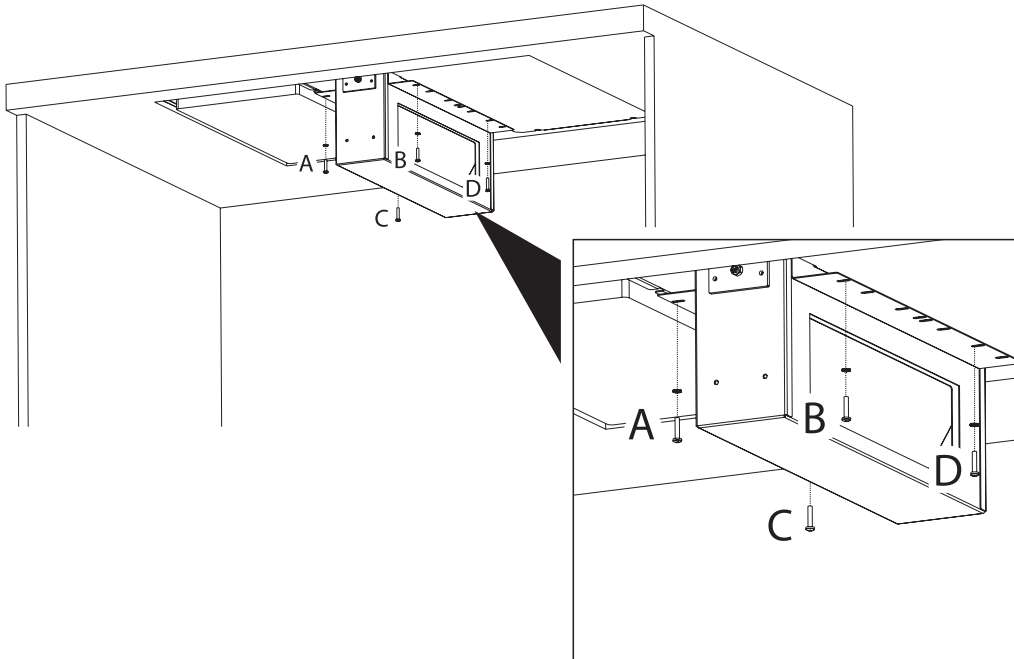
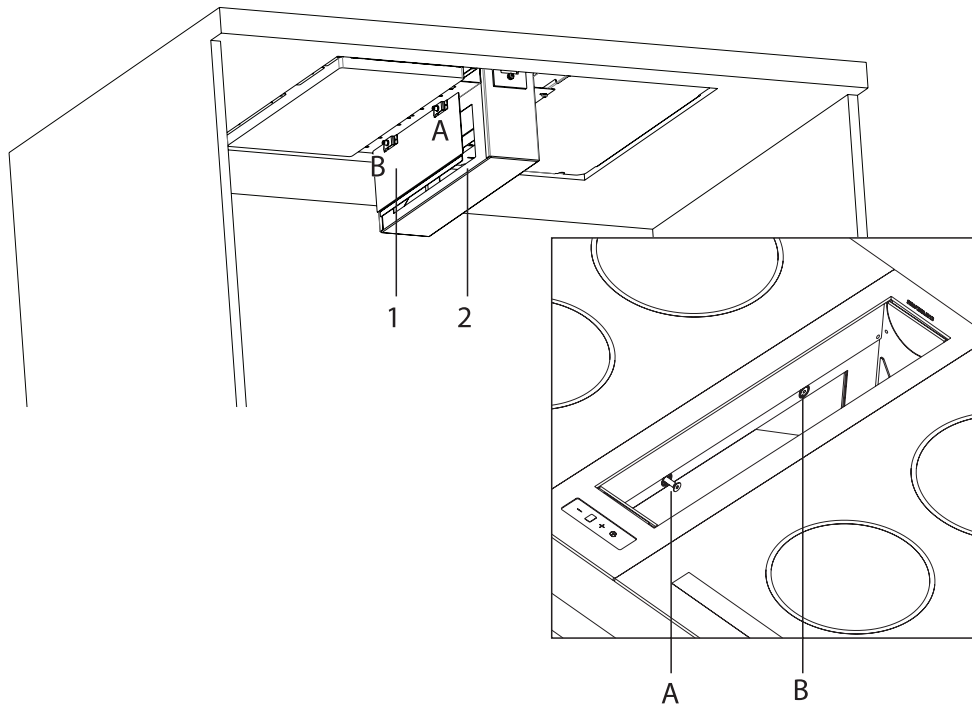


Fig. 17

7



8

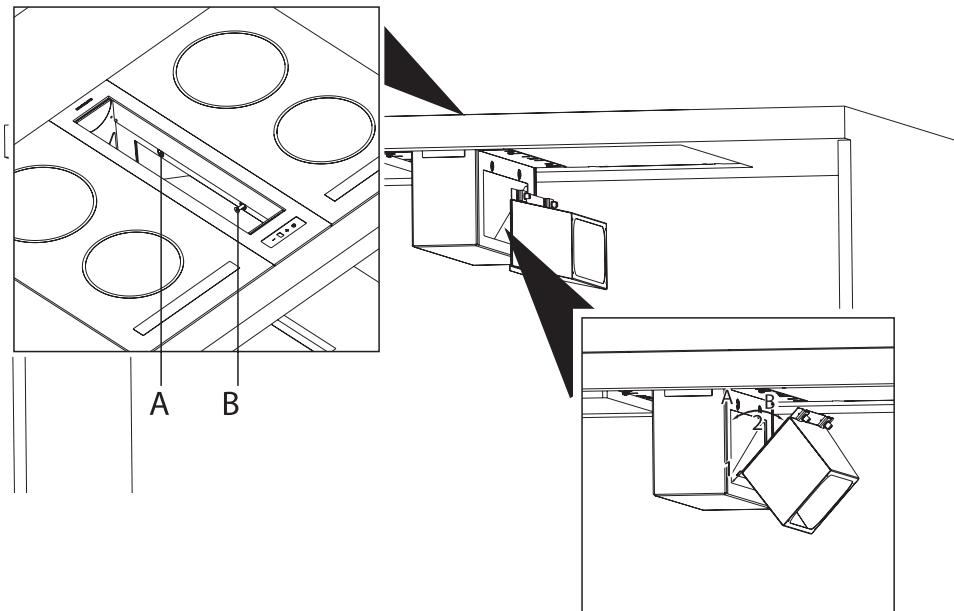
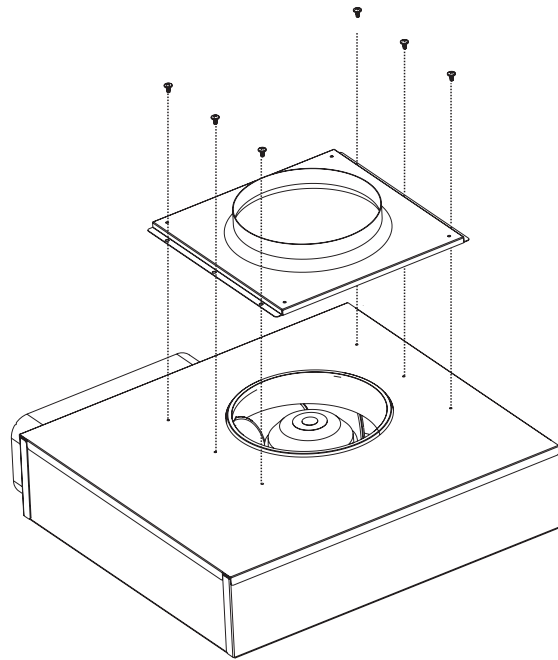


Fig. 18

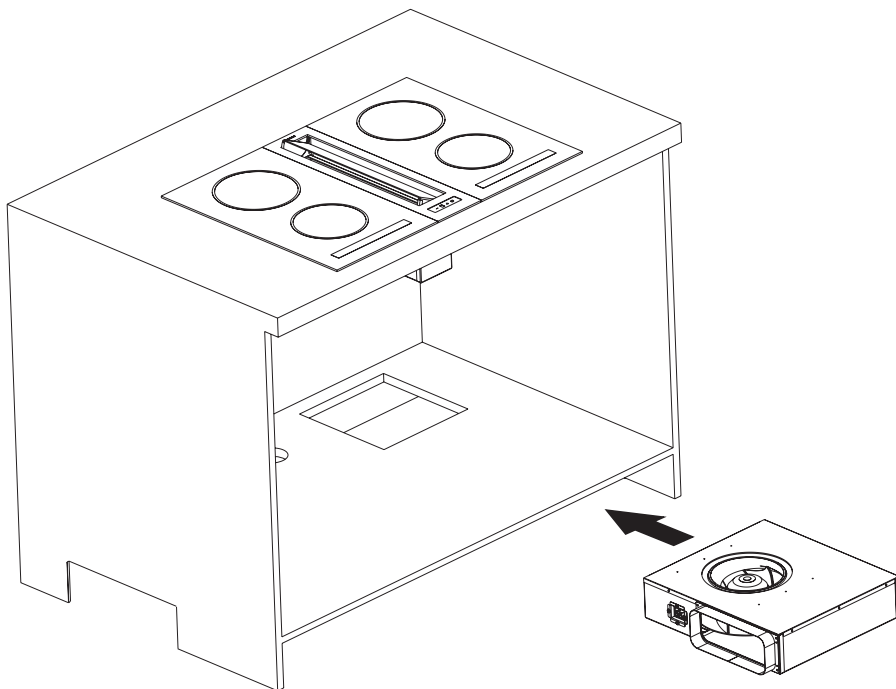
---

**9**



---

**10**

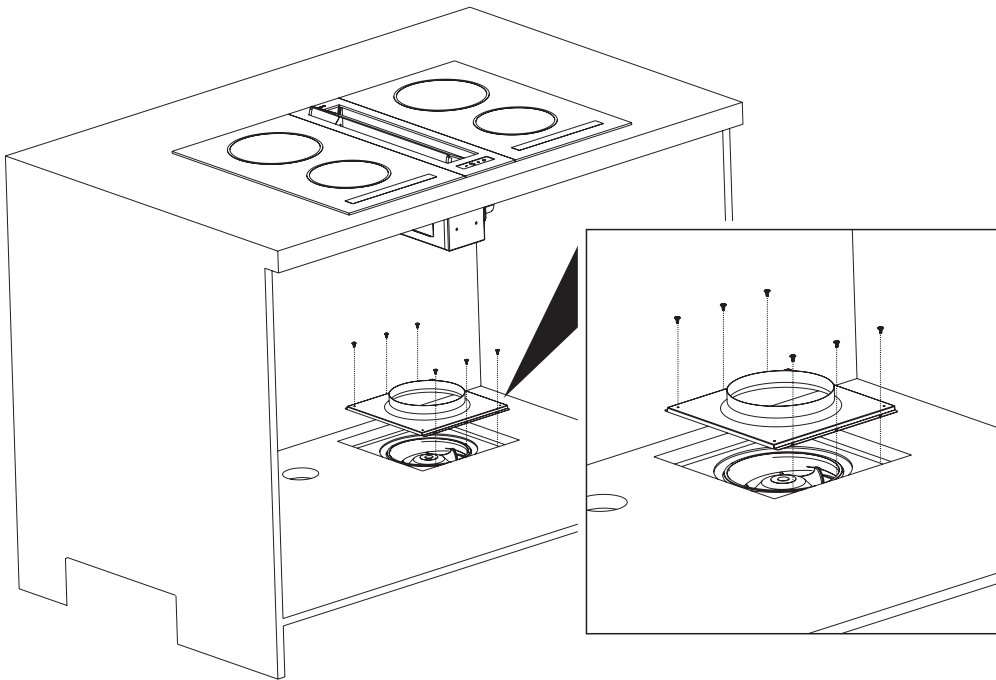


---

*Fig. 19*

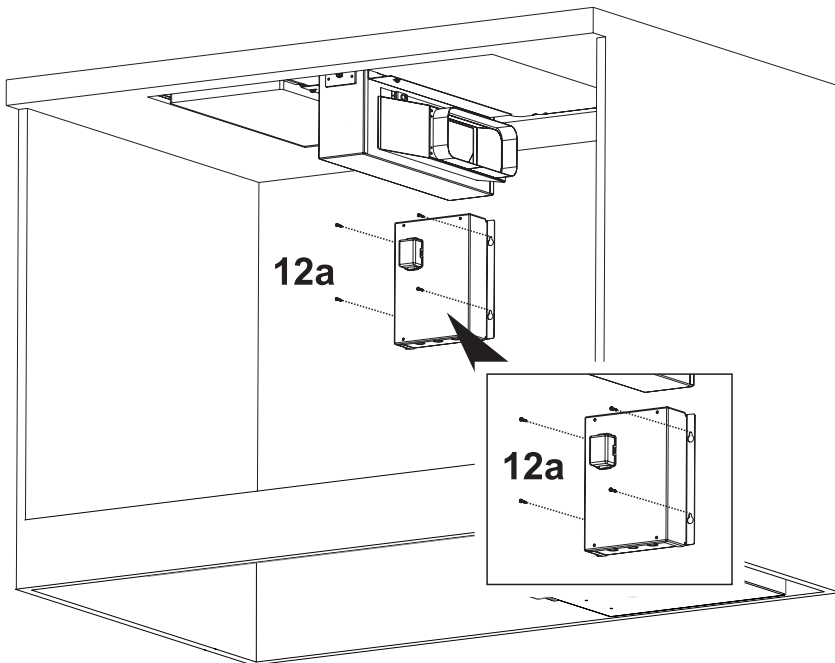
---

**11**



---

**12**



---

*Fig. 20*

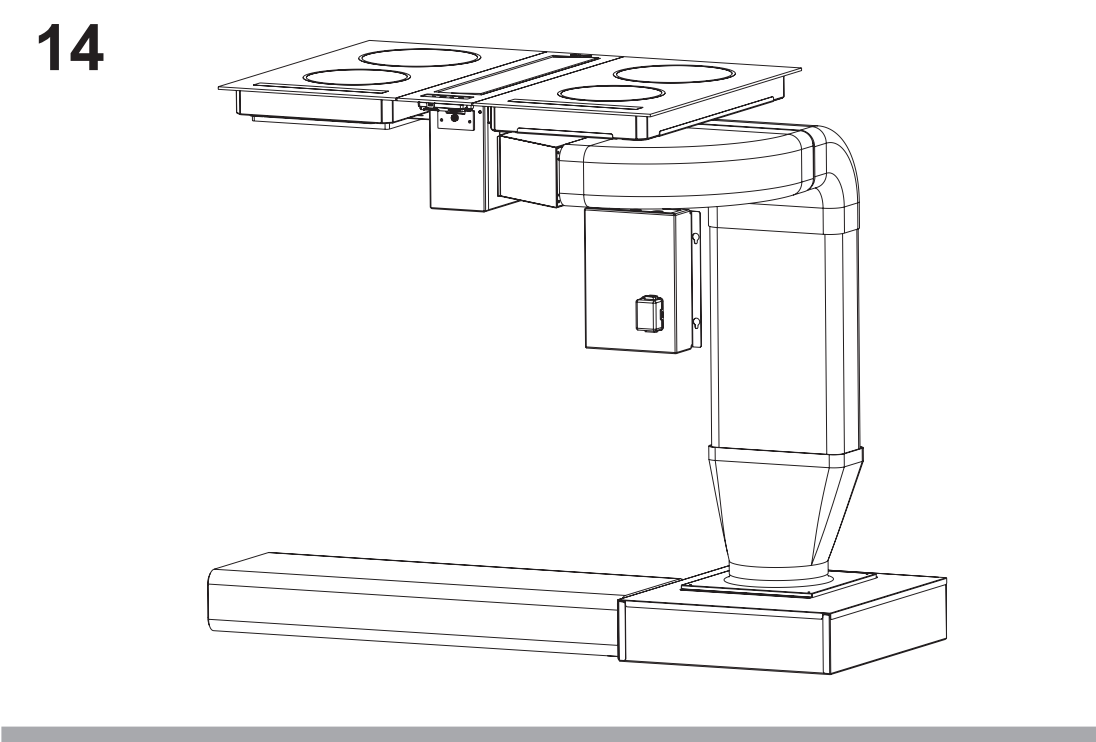
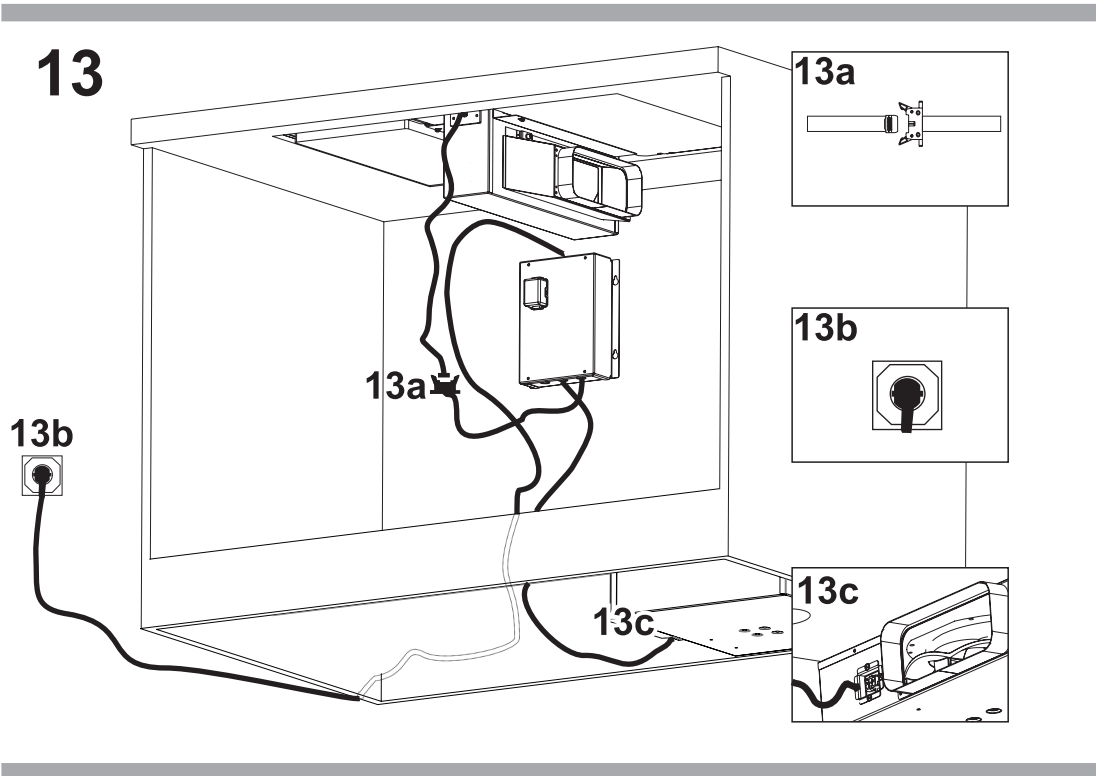


Fig. 21

## 7.2 Clean extractor fan hood



### NOTICE!

#### Material damage due to wrong cleaning!

The remaining sticky residues of the protective foil may lead to spots on the stainless steel surface.

- After mounting, clean the outer surface of the extraction hood ( ) and perform maintenance ( ).

## 7.3 Installation



### DANGER!

Parts inside the appliance may have sharp edges. Use protective gloves.

- Flush mounted furniture should be aligned horizontally and shall have adequate carrying capacity
- Built-in furniture should be resistant to 90°C temperature.
- The durability of the built-in furniture should also be ensured after the cutting operations have been completed.
- Particularly in thin plates the carrying capacity and durability should be provided with suitable support constructions. Consider the weight of the appliance by including additional loads. The reinforcing material used should be heat and moisture resistant.
- Clean the sawdust after cutting. Cover the cut surfaces so that they are heat resistant and waterproof.
- Create a cross section of one or more devices in accordance with the installation plan. The cross-sectional surface angle to the working plate should be 90°.



### NOTICE!

If the hood is to be mounted next to a gas burner, fryer, grill or Teppanyaki, the outlet holes of the flat duct connection are mounted away from the devices

1. ➤ Remove the Appliance from its package.
  - Remove the glass cover on the hood (**Fig. 15 Figure 1a**).
  - Remove the aluminium cartridge filter. (**Fig. 15 Figure 1b**).
  - Remove the main waste container ( **Figure 1c**).
2. ➤ Create the hood operating plate cross section in align with the mounting plan ( **Figure 2**).
3. ➤ Remove the hood from the kitchen counter. ( **Figure 4**).



4. ➤ Remove the cooker from the kitchen counter. ( **Figure 5**).
5. ➤ Attach the hood through (A, B, C, D) points to the cooker with 3.9x22 YSB screws ( **Figure 6**).



*As the hood and cooker are mounted, M4 crinkled spring washer should be used between the connection.*

6. ➤ The hood is designed to have exhaust from the left side and the right side.  
  
Insert the metal cover ( **Figure 7/1**) that is supplied on the side that will not be used for exhaust.  
  
Mount it through the inside of the hood on points A and B with M4x16 allen head screws ( **Figure 7**).
7. ➤ Insert the metal adapter on the hood air exhaust to create an angle.  
  
Disassemble the metal adapter from the A, B points with the M4x16 hex head screw located inside the hood ( **Figure 8**).
8. ➤ Disassemble the metal adapter on the engine box ( **Figure 9**).
9. ➤ Insert the motor box under the kitchen cupboard ( **Figure 10**)
10. ➤ Attach the metal adapter that you have removed on the motor box ( **Figure 11**).
11. ➤ Remove the hood circuit box from the workbench ( **Figure 12 / 12a**).
12. ➤ Connect the electric wiring of the hood in sequence ( **Figure 13**).
  - Connect the hood switch ( **Figure 13a**).
  - Plug the main supply cord from the circuit board to the outlet ( **Figure 13b**).
  - Insert the motor intermediate cord to the motor unit ( **Figure 13c**).
13. ➤ Make the air outlet pipe connection ( **Figure 14**).



*The appliance air exhaust pipe may vary based on working station. The air exhaust pipe connection on this user manual (Figure 14) is prepared based on standard working stations.*

## 8 Operating

### 8.1 Safety when operating



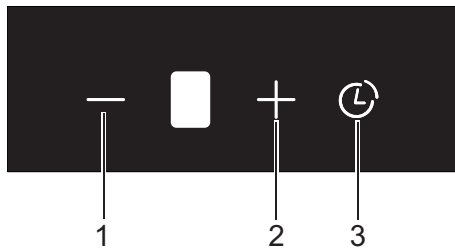
#### **WARNING!**

#### **Danger of injury by improper operation!**

Improper operation may cause injury and the danger of material damage.

- Test this device for every possible use. A defective device cannot be used.
- Do not place any objects on the device as these could fall off.
- Never use the device without metal fat filter. A danger of burning exists.
- Keep the device turned on to prevent corrosion caused by condensation.

## 9 Controller



- <1 Decrease Speed
- <2 Increase Speed
- <3 Timer

Fig. 22: Controller

### 9.1 RPM Decrease / Shut down via Control Unit



When the (—) button is pressed on the control panel the appliance RPM will decrease and following the 1st rotation the product will shut down (Fig. 23).

Fig. 23

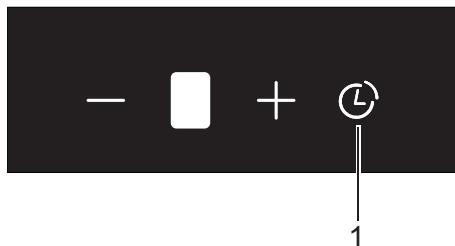
### 9.2 Turn On / RPM Increase via Control Unit



When the unit is turned off, when (+) button is pressed once, the appliance will be initiated in the 1st level. Press this button to turn on or off the lamp. Fig. 24

Fig. 24: 3416

### 9.3 Timer via Control Unit



When you press the switch-off timer button (⌚) while the motor is operating, switch-off timer is set for 15 minutes and number of that cycle starts to flash on the screen. Speed can be decreased or increased during this period. At the end of 15 minutes the motor shuts down. When the shut down timer is active, if this button is pressed once more the shut down timer is cancelled and the blinking stops (Fig. 25).

Fig. 25

### 9.4 Delete fat filter cleaning indication

If "C" lights up on the control panel screen, the metal oil filter must be cleaned.

The filter warning "C" will be visible on the screen for approximately 3 seconds when the motor is on, after the motor is operated for 60 hours. When the motor is turned on or the RPM is changed, following the RPM, "C" will be visible for approximately 2 seconds.

**Removing clean filter warning:** — The filter duration is reset by pressing for 5 seconds button until "E" is displayed and the warning will not be displayed until 60 working hours is passed.

## 10 Error notifications

### 10.1 Behavior when errors arise



#### WARNING!

#### Danger of injury by a defective device.

A defective device can cause injuries.

- Never use a defective device.
- Pull out the power socket or turn the fuse in the fuse cabinet off before troubleshooting.

Basically the following applies:

- Just do the repairs mentioned in this guide.
- Call customer service for other repairs.



*In case of improper repairs, the manufacturer's warranty is terminated.*

### 10.2 Error table

Failures may occur in all technical equipment. Meanwhile, a broken device may not always be the case. Therefore, based on the table below, check whether you can eliminate the errors yourself.

Fault description	Cause	Remedy
Appliance does not operate	The voltage supply is not connected	Connect the voltage supply.
	Blown fuse	Check the fuse in your fuse box.
	Power outage	Check if other devices are working.
Power loss/high operating noise	Contaminated metal oil filter	Clean the metal oil filters
	Contaminated active carbon filter (for air recirculation only)	Wash or replace the activated carbon filter pad.
	Exit air section is too low (less than Ø 150 mm)	Have a specialist check the diameter of air outlet duct
Lighting is not functioning.	The lighting elements are out of order	Change lighting elements.
	The voltage supply is not connected	Connect the voltage supply.
Cooking vapour passes by the hood.	The cooker appliance is standing at the very edge of the cooktop	Use the rear cooktops, because the suction is the strongest for technical reasons.



*If you can not solve the problem with this table, contact customer service.*