

# FLOW IN - INDUCTION HOB & EXTRACTION HOOD COMBINATION

- Cooking odours are suctioned directly downwards from the hob into the extractor hood
- Not only for conventional kitchens, but also island units, where it may not be possible to install a traditional extractor hood.
- Can be flush mounted into your worktop.
- The hood is easy to remove and provides direct access to the stainless steel filter which means easy cleaning.

## FREE FLOW 3416

Inox Extractor + Black Tempered Glass

Touch and slide controls

4 cooking areas on induction hob surface

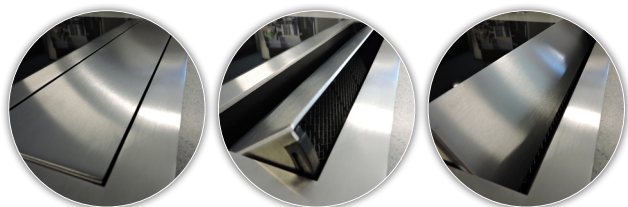
Washable and easily cleanable internal chamber

Aluminium cassette filters (dishwasher safe)

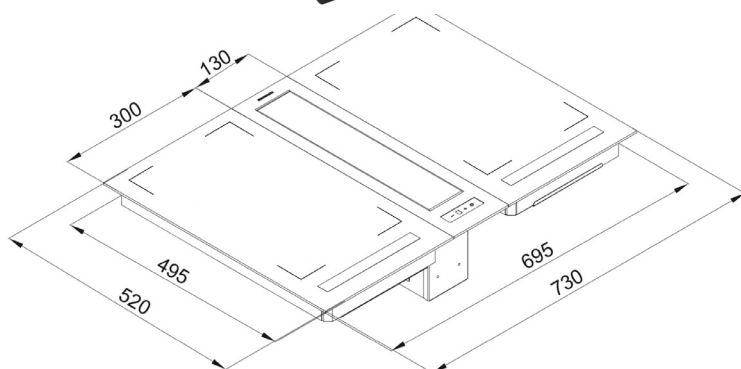
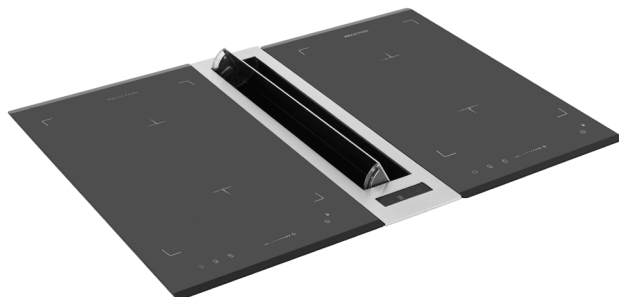
150mm outlet with 120mm converter

Comes complete with remote motor

Elegant and ergonomic design



*BOTH THESE EXTRACTORS CAN ALSO BE ORDERED AS EXTRACTOR AND ONE HOB*



## DOUBLE FLOW 3417

Black & Inox Extractor + Black Tempered Glass

Touch and slide controls

4 cooking areas on induction hob surface

Washable and easily cleanable internal chamber

Aluminium cassette filters (dishwasher safe)

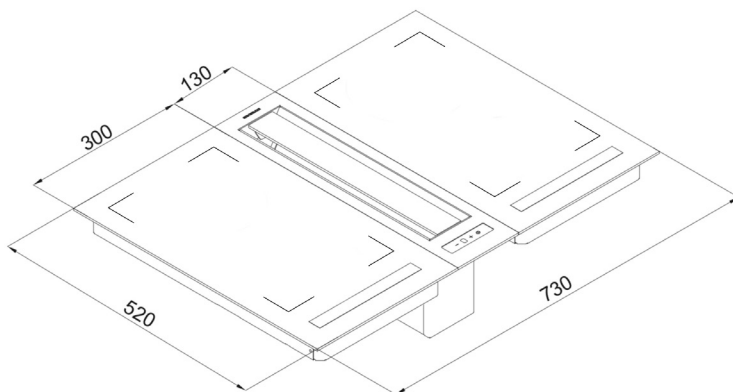
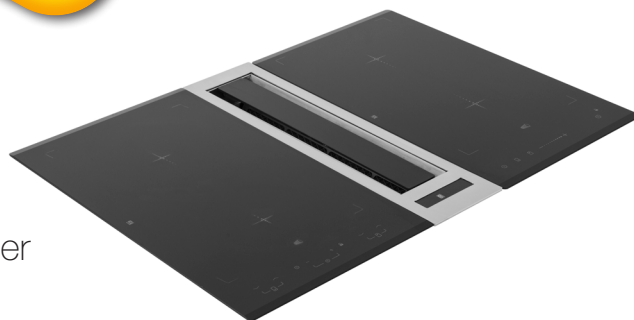
150 mm outlet with 120mm converter

Comes complete with remote motor

Elegant and ergonomic design



**Carbon & recirculation filters (optional) available as accessory**



*We recommend Naber ducting to reduce noise and increase flow*

## 3413, 3416 & 3417 DUCTING OPTIONS

Depending on cabinet and benchtop size, you CAN have cooking appliances or drawers underneath your flow in. Contact your joiner to find out how.

CAN BE DUCTED  
LEFT OR RIGHT



Flawless integration of the induction hob and hood  
Hi-performance extraction system quickly removes the fumes from your cooking surface



# FLOW IN 3413

Inox Extractor + Black Tempered Glass



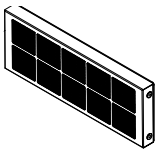
USE THIS ENTIRE SIDE AS ONE LARGE COOKING ZONE OR SEPARATELY FOR MULTIPLE POTS!

CENTRE EXTRACTION PIECE COMES IN EITHER STAINLESS OR BLACK\*

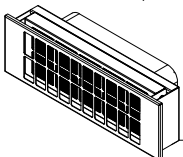
- Four speed
- Four zones
- Surface induction
- Touchscreen
- Timer function for all elements
- Cleaning indicator
- Stainless steel filters
- Can be recirculated\*
- Integrated flow-in extraction
- Can be flush mounted

- Easy-clean induction cooktop
- Horizontal touch control, LED display
- Safety lock
- 9 power levels
- Bridge function for left front and rear zones
- 4 timers simultaneously usable
- Auto adapt (heating area adapts itself to the pot)
- Auto-stop (in case of inadvertent start, long absence, over heating)
- 4 Residual heat indicators (2 super boosters)
- Front left heating zone 210 x 177mm 1400/2000W (booster)
- Rear left heating zone 210 x 177mm 1400W (booster)
- Rear right heating zone 210 x 177mm 2300/3000W (booster)
- Front right heating zone 210 x 177mm 1400W (booster)

## ACCESSORIES AVAILABLE:



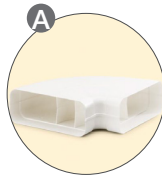
Filter (one)  
YM974.3413.04



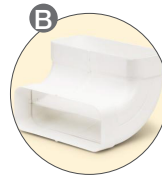
Recirculating vent  
YM974.3413.03

\*Recirculation kit must be ordered separately. Can also purchase recirculating vent YM974.3413.03 (see above). To change rangehood panel to glass from stainless must also be ordered separately.

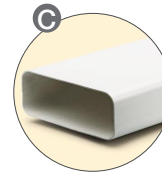
We recommend Naber ducting to reduce noise and increase flow



Code: N404.3.003



Code: N404.3.004



Code: N404.3.001



Code: N404.3.006

DUCTING CAN BE MODIFIED TO GET BETTER USE OF YOUR CABINETS USING NABER PRODUCTS

