

## Installation and User Manual

**Model:  
IK23**

### SINKS



### APPLIANCES



SINKS + BASINS

TAPWARE

WASTE DISPOSALS

COOKING + VENTLIATION

DISHWASHERS + REFRIGERATION

LAUNDRY

## Table of contents

|                                                   |    |
|---------------------------------------------------|----|
| 1. <b>INPUT</b>                                   | 3  |
| 2. <b>TECHNICAL DRAWING</b>                       | 3  |
| 3. <b>WARNING AND SAFETY PRECAUTIONS</b>          | 4  |
| 3.1 Lethal risk, danger & poisoning               | 6  |
| 4. <b>CLEANING &amp; PREVENTATIVE MAINTENANCE</b> | 10 |
| 4.1 Aluminium filter cleaning                     | 11 |
| 5. <b>INSTALLATION &amp; UNPACKING</b>            | 11 |
| 5.1 Recommendations for energy saving             |    |
| 6. <b>CONTENT OF PACKAGE</b>                      | 12 |
| 7. <b>OVERVIEW OF HOOD</b>                        | 12 |
| 8. <b>ASSEMBLY OF PRODUCT</b>                     | 13 |
| 9. <b>USE OF PRODUCT</b>                          | 18 |
| 9.1.1 Safety when operating                       | 18 |
| 9.1.2 Operating the appliance                     | 18 |
| 9.1.3 Choosing the fan power level                | 19 |
| 9.1.4 Switch lighting on/off                      | 19 |
| 9.1.5 Automatic timer                             |    |
| 10. <b>REPLACING THE LAMPS</b>                    | 20 |
| 11. <b>AUTHORIZED SERVICE</b>                     | 20 |
| 12. <b>TECHNICAL TABLE</b>                        | 21 |

# 1 INPUT

This guideline and the safety data includes all necessary information for a safe mounting as well as a safe use without defects.

- Please read all of this guideline and safety data before using the device.
- Keep the guideline in an appropriate place.
- If you pass the device onto others, make sure you also give this guideline and safety data.
- Disregarding this guideline may result in severe injuries and defects in the device.
- Please keep in mind that we won't be responsible for the defects arising from not taking this guideline into account.

The figures in this guideline aim to visually describe the actions. In these figures only one model of the device is illustrated. However, all instructions or figures also represent other models.

## 2 Technical Drawing

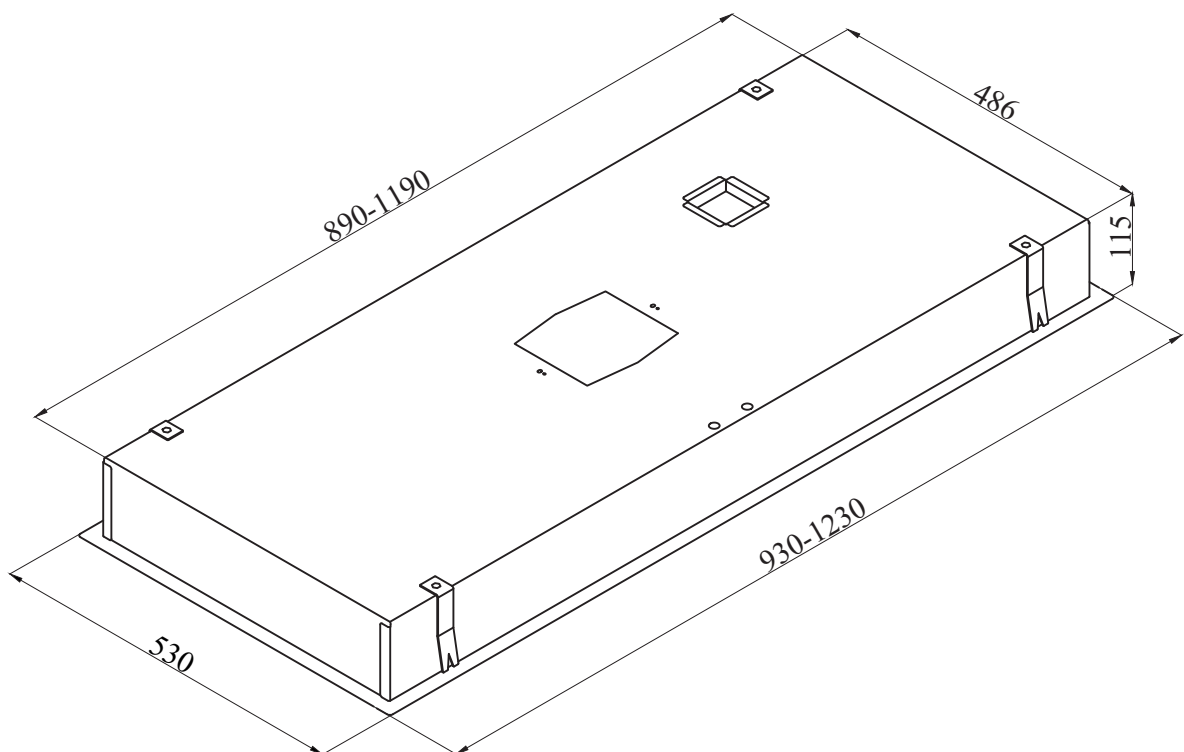


Fig. 1

### 3 WARNING AND SAFETY PRECAUTIONS

#### WARNING AND SAFETY PRECAUTIONS

- This appliance can be used by children of 8 years and older, people with physical, sensory or mental capability deficiency or people with lack of experience or knowledge; as long as they are provided supervision or instructions for the safe use of the appliance and they comprehend the dangers.
- Children should not tamper with the appliance. Cleaning and user maintenance operations must not be performed by children unless supervised.
- This product is designed for home use.
- Usage voltage of your product is 220-240 Volt~50-60 Hz.
- Power cord of your product is fitted with a grounded plug. This cord must be plugged into a grounded outlet.
- The whole electrical wiring must be installed by a qualified electrician.
- Installation by unauthorized persons could lead to poor operation performance, damage to the product, and accidents.
- Feeder cable of the appliance mustn't be exposed to jamming or crashing during assembly. Feeder cable mustn't be placed near the cooker. In such cases, it might melt down and lead to fire.
- Do not plug in the appliance before the installation.
- Make sure that the installation place allows the user to easily unplug the power cable in case of any danger.
- Do not touch your product's lamps when they work for a long time. The lamps may burn your hand as they will be hot.
- Kitchen hoods are manufactured for household use in normal home cooking. There is a risk of malfunction in other types of use, and the product guarantee will be void.
- Comply with the rules and instructions regarding discharge of outgoing air, stipulated by the relevant authorities. (This warning does not apply to uses without flue.)
- Flammable foods must not be cooked under the appliance.
- Start your product after you place pot, pan etc. on the stoves. Otherwise, high temperature may cause some parts of your products to deform.
- Turn off the cooker's burner before taking the saucepan, pan, etc. off the cooker.
- Do not leave boiling oil on the stove. Pots that contain boiling oil may catch fire by itself.
- Since oils could catch fire when you cook fried foods in particular, be careful about your curtains and tablecloths.
- Ensure timely replacement of the filters. Filters not replaced in a timely manner pose risk of fire due to accumulated grease deposits on them.
- Do not use non-fire-resistant filtering materials instead of the filter.
- Do not operate your product without filter, and do not remove the filters when the product is in operation.
- In case of any fire, de-energize the hood and any other cooking devices. (Plug off the appliance or turn off the main switch.)

- If your product's periodic cleaning is not made in a timely manner, it could pose risk of fire.
- De-energize the appliance before any maintenance operations. (Plug off the appliance or turn off the main switch.)
- When electric cooker hood and devices fed with energies other than electricity operate simultaneously, the negative pressure in the room must not exceed 4 Pa ( 4 X 10 bar ).
- Gas or fuel oil burning appliances, such as room heaters, which share the same environment with your product, must be fully insulated from the exhaust of this product or they must be hermetical.
- When you make a flue connection for your product, use pipes with a diameter of 150mm or 120 mm. The length of the duct connection as well as the number of elbows must be as minimum as possible.
- Children must not play with the appliance.
- For your safety, use "MAX 6 A" fuse in the hood system.
- Since the packing materials could be dangerous, keep them away from children.
- If the feeder cable is damaged, it must be replaced by its manufacturer or its authorized technical service or any other personnel qualified at the same level, in order to avoid any dangerous situation.
- In case of any deflagration, de-energize the cooker hood and cooking appliances, and cover the flame. Never use water to extinguish the fire.
- When cooking appliances are in operation, their accessible parts could be hot.
- This appliance is not intended to be used by people with physical, sensory and mental disabilities (including children) or those who have not adequate experience and knowledge regarding its use, unless they are under the supervision of a person responsible for the safety of the appliance.
- After the installation of the hood, the minimum distance must be 65 cm between the product and any electric cooker; and 75 cm between it and any gas ranges or cookers burning other fuels.
- Output of the hood must not be connected to air ducts, where there exist another smokes.
- You must be careful when using the appliance spontaneously with other appliances (e.g. gas, diesel fuels, coal, wood, etc. burning heaters, shower heaters), which use the same air in the same environment. Attention must be paid when using them simultaneously. It is because the hood could adversely affect the combustion, by discharging the ambient air.
- This warning does not apply to uses without flue.
- When electric cooker hood is used simultaneously with devices that use gas or other fuels, there must be sufficient ventilation in the room (might not apply to devices that discharges the air back into the room).

### 3.1 LETHAL RISK, DANGER OF POISONING



**DANGER!**  
**Warning - Choking Hazard**

The packaging materials are dangerous for children. Never allow children to play with packaging materials.



**DANGER!**  
**Warning - Death Hazard**

There are life-threatening danger and poisoning danger due to reabsorbed combustion gases. During the air discharge outlet use, unless sufficient air supply is provided, do not use the appliance simultaneously with devices that discharge toxic gases through flue such as ventilated, gas, oil, wood or coal burning heaters, shower heaters, water heaters, etc. Fig. 2

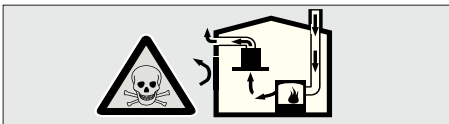


Fig. 2: Poisoning Danger

Ventilated goods (e.g. gas, oil, wood or coal burning heaters, shower heaters, water heaters) take combustion air from the installation location, and discharge the waste gas through a waste gas system (e.g. flue). When the cooker hood is active, it absorbs air from the kitchen and neighbouring rooms. If adequate air entry is not provided, vacuum emerges. In such a case, the toxic gases are absorbed from the flue and waste gas channel, and are taken into to door again. Fig. 2

- Therefore, adequate fresh air ingress must always be ensured. Fig. 3

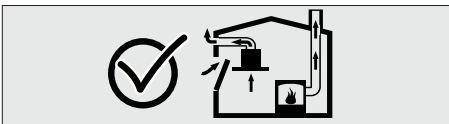


Fig. 3



### **WARNING!**

#### **Fire danger!**

- The oil residue in the oil filter may catch fire. **Clean the oil filter at least once every 3 months.** Never operate the device without the oil filter.
- The oil residue in the oil filter may catch fire. Never work with open flame (ex. flambe) near the device. The apparatus is allowed to be installed near a solid fuel (e.g. wood or coal) heater only if it has a non-removable cover. No sparks should be scattered.
- Hot oils and fats catch fire easily. Hot oils and fats should never be left unattended. Never try to put out the fire with water. Turn off the cooker. Kill the flames carefully using a cover, fire blanket or a similar material.
- Gas operated cookers that do not have a cooking pot on create high heat during operation. A ventilation device placed over the cookers can be damaged or burned for this reason. Operate gas cookers only when there is a cooking pot on them.
- Operating multiple gas cookers simultaneously creates high heat. A ventilation device placed over the cookers can be damaged or burned for this reason. Never operate two gas cookers longer than 15 minutes on high flame setting. A large burner over 5kW (Wok) has the power of two gas burners.



### **WARNING!**

#### **Electrocution hazard!**

- A malfunctioning device may cause electric shock. Never turn on a malfunctioning device. Pull the power plug and switch off the circuit breaker. Call customer service.
- Unsuitable repairs pose hazards. Repairs and replacement of damaged power cords must be performed only by a customer services technician trained by us. If the device is malfunctioning pull the power plug and switch off the circuit breaker. Call customer service.
- Water leaking into the device may cause electric shock. High pressure or steam cleaners must not be used.

**DANGER!****Danger of physical injury!**

- During the installation, there is a danger of physical injury due to the sharp edges. Use protective gloves throughout the installation process of the appliance.
- Due to risk of dropping the appliance, assembly of all safety bolts and covers must be performed as specified in the user manual.
- Objects placed on the appliance may fall over. Do not place any objects on the device.
- LED lights are very bright and may damage eyes (Risk group 1). You must not look directly at running LED lights for longer than 100 seconds.

**WARNING!****Risk of burn, risk of electric shock!**

- Allow the appliance to cool before cleaning or maintenance process. Switch off the fuse or pull out the mains plug from the socket.
- There is risk of damage due to ingress of moisture in the electronics. Do not clean the control components with a wet cloth.
- The surface could be damaged due to a wrong cleaning process. Clean stainless steel surfaces only in their brushing direction. Do not use a stainless steel cleaner for the control elements.
- The surface could be damaged due to aggressive and abrasive cleaning agents. Never use aggressive and abrasive cleaning agents.

**WARNING!****Dangers of fire and physical injury!**

In case of repairing that is not performed according to the rules or as required, turn off the fuse or unplug the feeder cable of your appliance. Repairing must be performed only by the authorized technical service or authorized experts.

**NOTICE!**

If the appliance is faulty or damages, turn off the fuse or unplug the feeder cable of your appliance and call the authorized service.



**NOTICE!**

If the feeder cable is damaged, it must be replaced by its manufacturer or its authorized technical service or any other personnel qualified at the same level, in order to avoid any dangerous situation.

**NOTICE!**

When the bulbs of the device malfunction, switch off the circuit breaker and unplug the device's power plug from the socket. Replace the defective bulbs immediately (leave bulbs to cool down first), in order to protect the remaining bulbs against overloading.

**CAUTION!**

Accessible components might be heated when used with cooking devices.

**DANGER!**

Air outlet pipe of this appliance mustn't be connected in the flue used to discharge the fume generated by devices that use gas or other fuels.

**Damage reasons****CAUTION!**

Damage hazard due to corrosion. Always run the appliance to prevent condensate formation while cooking. Condensates may cause corrosion damage. Replace the malfunctioning lamp right away to prevent overloading of other lamps. Moisture intrusion in electronic parts poses a risk of damage. Never clean the control elements with a wet cloth. The surface could be damaged due to a wrong cleaning process. Clean stainless steel surfaces only in their brushing direction. Do not use a stainless steel cleaner for the control elements. The surface could be damaged due to aggressive and abrasive cleaning agents. Never use aggressive and abrasive cleaning agents. There is a risk of damage due to condensate liquid backflow. Install the air exit canal with a small downward inclination (1° inclination) from the appliance.

## 4 CLEANING AND PREVENTIVE MAINTENANCE



### CAUTION!

Cleaning and user maintenance of the appliance shall not be performed by unattended children.

- The surface could be damaged due to aggressive and abrasive cleaning agents. Never use aggressive and abrasive cleaning agents. Supply your cleaning and protective substances that are appropriate for your appliance from the authorized technical service. Surface of appliance and control units are sensitive to scratching.
- Clean the surfaces with a soft and damp cloth, dish-washing liquid or mild glass cleaning agent. Soften the dry, sticky dirt with a damp cloth. Do not scrape!
- It is not appropriate to use dry cloths, sponges that may scratch, materials that require rubbing, and other aggressive cleaning agents containing sand, soda, acid or chlorine.
- Clean the stainless steel surfaces in their brushing direction only.
- Do not use stainless steel cleaning agents and wet clothes for control units. Cleaning of metal grease filters Used metal grease filters retain the greasy particles in the moisture and vapour generated in the kitchen. Clean the metal grease filters about every three months, under normal use conditions (1 to 2 hours a day).
- Do not use excessively effective, acidic or alkaline cleaning agents.
- For cleaning the metal grease filters, clean the holder parts of the metal grease filters in the appliance, with a damp cloth as well.
- You can clean the metal grease filters in the dishwasher or by hand.
- Do not apply spray cleaning supplies directly to the product.
- Do not keep flammable and/or heavy decorative items on the product.

## 4.1 ALUMINIUM FILTER CLEANING

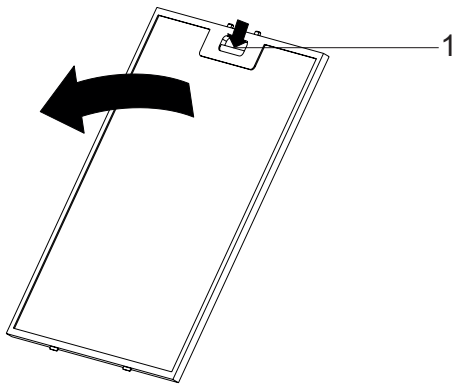


Fig. 4

1 Aluminium Filter Tab



*Clean the aluminium oil filters periodically every 3 months.*

- Press the aluminium filter tab (1) and pull the aluminium filter to the direction of the arrow (Fig. 4).
- As you remove the aluminium filter, hold it with your other hand to prevent it from dropping.
- As you remove the aluminium filter, in order to prevent the accumulated oil to drip, keep the filter surface parallel to the floor.

## 5 Installation and Unpacking of the Appliance

- Check that your appliance is not deformed.
- Report the transport issues immediately to transport operator.
- Any faults encountered shall be reported to the dealer, too.
- Do not allow children to play the with packaging materials!

### 5.1 Recommendations for Energy Saving

- Replace the carbon filters on a regular basis.
- Regularly clean your aluminium filters. Since dirty filters would block the air passage, you might have to use the appliance at a higher speed.
- Use your product according to its normal speeds.
- Use at higher speed would cause an increase in the energy consumption.

## 6 CONTENT OF PACKAGE

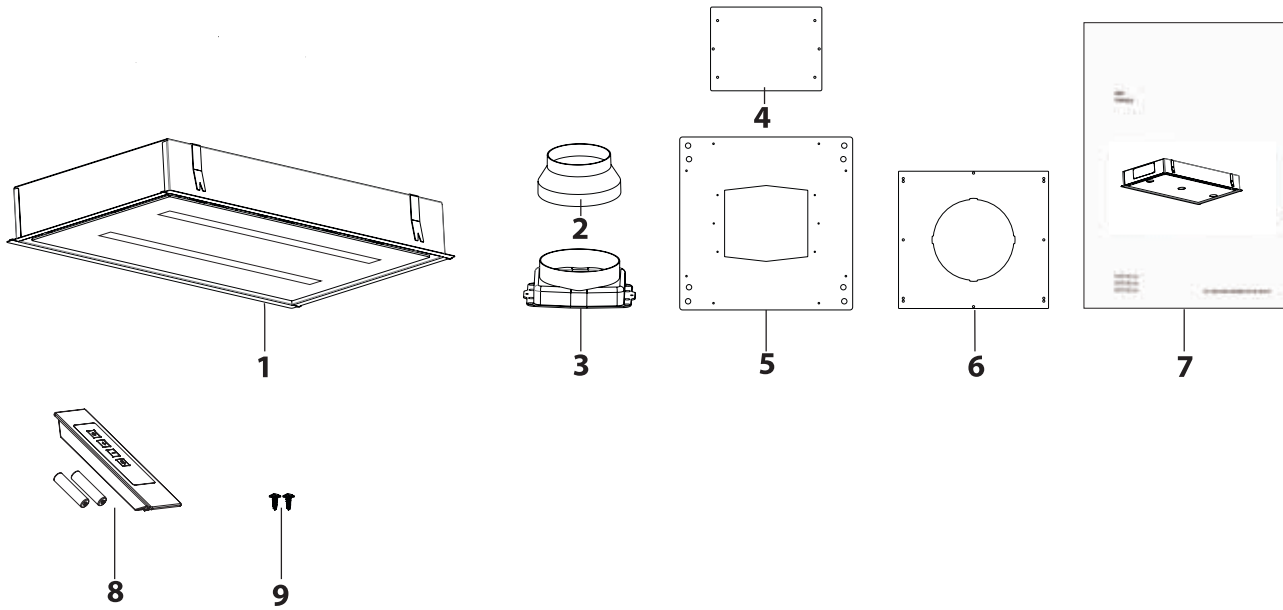


Fig. 5

- |                                    |                                                |
|------------------------------------|------------------------------------------------|
| 1- Product                         | 6- Motor Cabin Air Inlet Flue Connection Plate |
| 2- Ø150/120mm Plastic Flue Adapter | 7- User Manual                                 |
| 3- Ø150mm Plastic Flue             | 8- Remote Control and Battery                  |
| 4- Flue Discharge Cap Plate        | 9- 2x 3,5 x 9.5 Screws                         |
| 5- Space cover plate               |                                                |

## 7 OVERVIEW OF hood

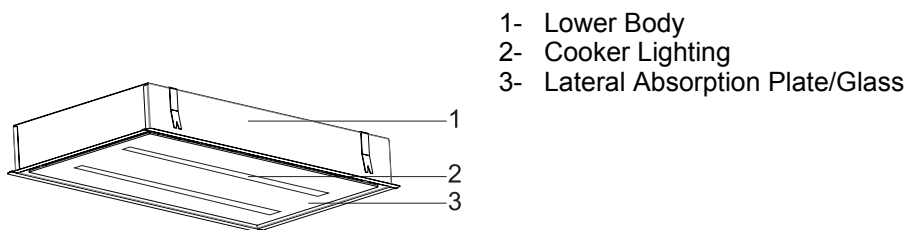


Fig. 6

## 8 ASSEMBLY OF PRODUCT

The required tools and auxiliary equipment for mounting

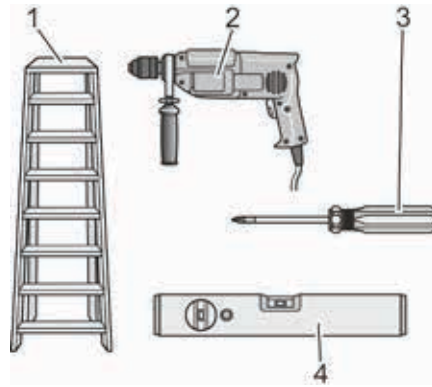


Fig. 7: Tools and auxiliary equipment

Prior to mounting, prepare the tools and auxiliary equipment specified below:

1. A sturdy ladder
2. Drill and bits,  $\varnothing$  10 and 6 mm
3. Phillips screwdriver
4. Water gauge
5. Pencil (not in image)
6. Tape measure, folding rule (not in image)
7. 2 persons (not in image)
8. Wood cutter (not in image)

- Remove all appliance parts from the package.
- Before mounting the appliance, select the most suitable mounting methods specified in this guide and prepare the mounting plan.



### ENVIRONMENT!

#### Danger to the environment due to wrong waste throwing!

It may cause a danger to the environment due to wrong waste throwing.

- Ensure that electric scrap and electronic components are disassembled by authorized specialist agencies.
- If you are in doubt, obtain information from the local municipal authority or the competent authorities for the removal of environment-friendly waste.



Fig. 8

- Parts inside the appliance may have sharp edges. Use protective gloves (Fig. 8).



**CAUTION!**

- The furniture that the appliance will be mounted on should be resistant to 90°C temperature.
- The durability of the furniture that will be mounted on should also be ensured after the cutting operations have been completed.
- Particularly in thin plates the carrying capacity and durability should be provided with suitable support parts. Consider the weight of the appliance by including additional loads. The reinforcing material used should be heat and moisture resistant. The weight of the appliance is specified in the label on the package.
- Clean the sawdust after cutting. Cover the cut surfaces so that they are heat resistant and waterproof.
- The cross-sectional surface angle to the working plate should be 90°.

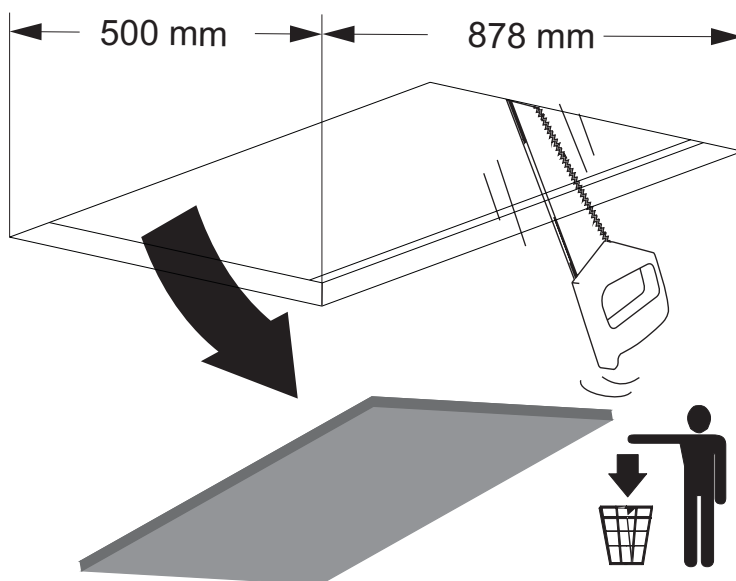


Fig. 9

- ➔ Cut the surface where the appliance will be mounted in align with the specified measurements in the technical illustration (Fig. 9).

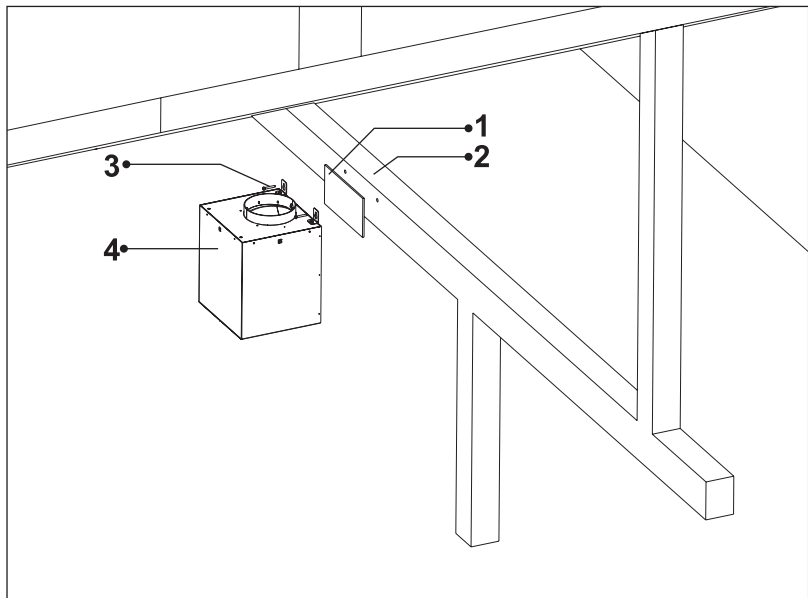


Fig. 10

- 1- Insulation Part
- 2- Ceiling flush mounted Wooden Body
- 3- 5.5x60 Mount Screw
- 4- Motor Box

2. ➔ Attach the motor cabin with 5.5x60 screws to the wooden body flush mounted in the ceiling.



*The motor box shall be maximum 7.5 meters away from the appliance.*



*Place an insulation part that is 10 - 15 mm thick between the body and motor box. Therefore the noise due to vibration from the engine will be dampened.*



**CAUTION!**

Ensure that the body on which the appliance will be mounted is sturdy and able to sustain the appliance.

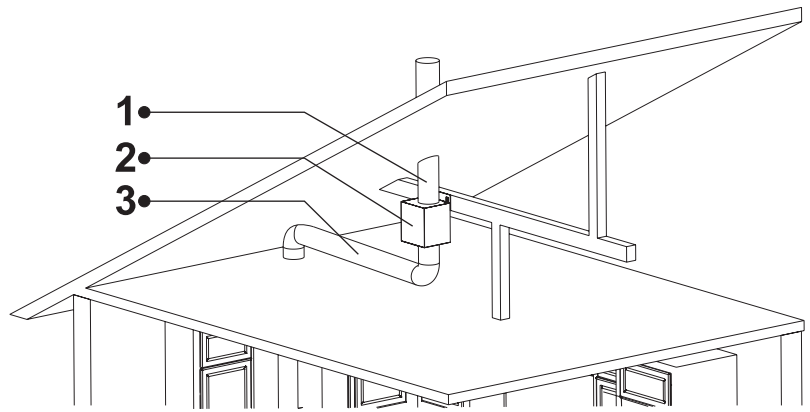


Fig. 11

- 1- Motor Box - Ceiling Air Discharge Pipe
- 2- Motor Box
- 3- Room - Motor Box Air Discharge Box

**3.** ➤ Connect external motor unit pipe connections (Fig. 11).

Attach the 8 metre intermediate cable supplied with the product to the socket on the external motor box. Attach the other end of this cable to the cable socket on the circuit box.

Attach the other cables coming from the circuit box to sockets on the body..



*Ensure the pipe connections do not have much elbow connections or bent pipes.*

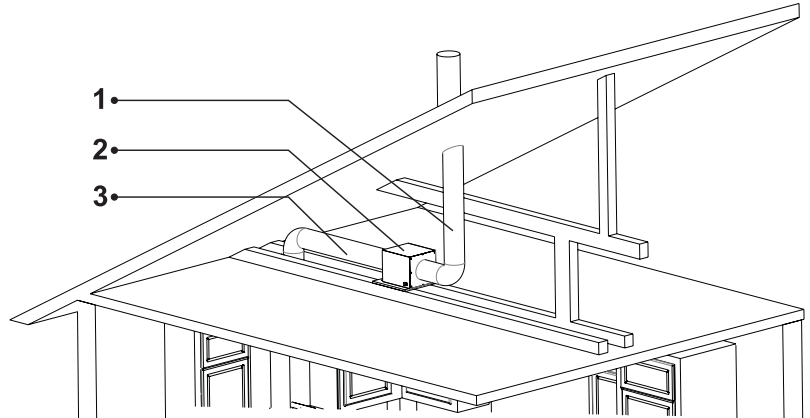


Fig. 12

- 1- Motor Box - Ceiling Air Discharge Pipe
- 2- Motor Box
- 3- Room - Motor Box Air Discharge Box

**4.** ➤ Connect external motor unit pipe connections (Fig. 12).



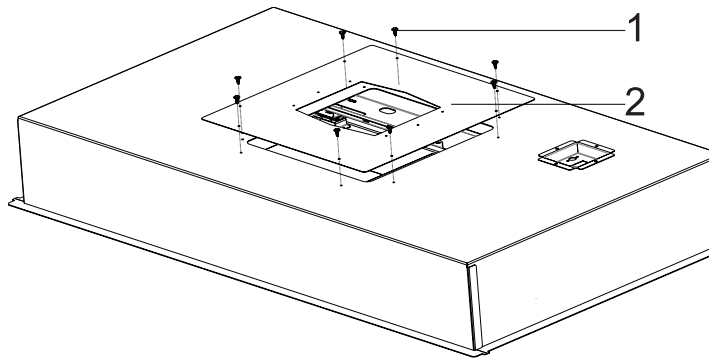


Fig. 13

- 1- 3.5x9.5 Screw
- 2- Space cover plate

5. Attach the supplied body cap plate to the lower body with 3.5 x 9.5 screws (Fig. 13).

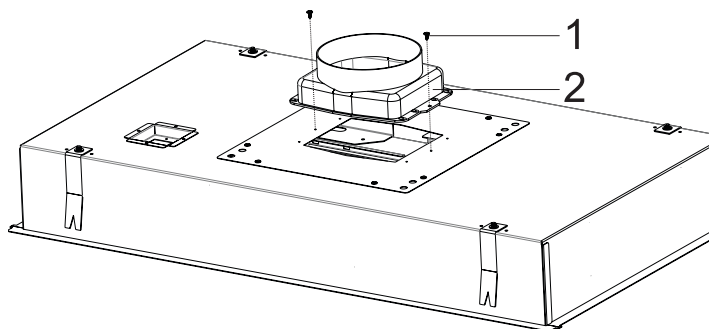


Fig. 14

- 1- 3.5x9.5 Screw
- 2- Flue Discharge Cap Plate

6. Attach the supplied body cap plate to the body cap plate with 3.5 x 9.5 screws (Fig. 14).

## 9 USE OF PRODUCT

### 9.1 USE OF PRODUCT

#### 9.1.1 Safety when operating



#### **WARNING!**

#### **Danger of injury by improper operation!**

Improper operation may cause injury and the danger of material damage.

- Test this device for every possible use. A defective device cannot be used.
- Do not place any objects on the device as these could fall off.
- Never use the device without metal fat filter. A danger of burning exists.
- Keep the device turned on to prevent corrosion caused by condensation.

#### 9.1.2 Operating the appliance



*Choose the power level of the fan when you run the extraction hood. Adjust the power level according to the cooking and frying steams.*

#### **For this;**

- ➔ Press the ( ) button on the ( ) remote controller (Fig. 15).
- ⇒ The fan motor starts running at the 2. power level.

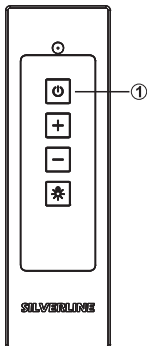


Fig. 15

### 9.1.3 Choosing the fan power level

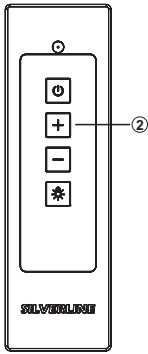


Fig. 16

1. ➔ Press the (+) button on the remote controller to increase the revolution of the device (Fig. 16).

⇒ The revolution of the fan motor has increased.

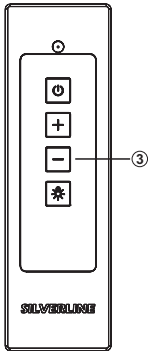


Fig. 17

2. ➔ Press the (-) button on the remote controller to decrease the revolution of the device (Fig. 17).

⇒ The revolution of the fan motor has decreased.



#### **Maximum Operation Time:**

*When no change is performed on the position of the extraction hood for 4 hours, the extraction hood motor and lighting is switched off in case they are on.*

### 9.1.4 Switch lighting on/ off via the remote control

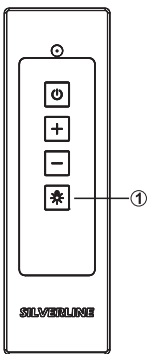


Fig. 18: Switching the light on/off

1. ➔ Press \* (Fig. 18/1) the button.

⇒ The light is on.

#### **Switching the light off**

2. ➔ Press \* (Fig. 18/1) the button once more.

⇒ The light is off.

### 9.1.5 Automatic timer

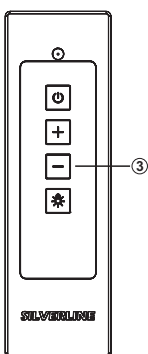


Fig. 19

➔ The timer of 15 minutes will be activated when the (-) button on the remote controller is pressed " - " for 5 seconds while the device is operating on any power level. A flashing power level LED light adjusted when the timer has started shows that the additional operating automate has been activated. After 15 minutes, all functions automatically stop before the timer has been activated.

## 10 REPLACING THE LAMPS

Contact the dealer or customer service when the lamp of the appliance fails ()

## 11 AUTHORIZED SERVICE

**If Lighting is Not Functioning:**

- Make sure that the plug is plugged in, and that the fuses are intact.
- Check the bulbs. Make sure you unplugged the device before performing this check. Tighten the bulbs if they are loose; you can replace the bulbs if they still don't work.

**Possible Faults and Things that You can do Before Calling Technical Service:**

**A) If the device does not run in any way:**

- Check to see if the hood is plugged in or if the plug is fit properly into the socket.
- Check the fuse, to which the appliance is connected, as well as the main fuse of your house.

**If the device performance is not enough and it creates high noise while running:**

- Is the outlet diameter of the appliance's flue adequate? (min. 120 mm).
- Are the metal filters clean? Please check.
- If you use the hood without flue, make sure that the carbon filters are not older than 6 months.
- Be attentive to ventilate your kitchen adequately, in order to provide an airflow. If you are still not satisfied with the performance of the appliance, consult the authorized technical service.

### Troubleshooting

| Fault description                  | Cause                       | Remedy                                                                                                                    |
|------------------------------------|-----------------------------|---------------------------------------------------------------------------------------------------------------------------|
| Product Does Not Work              | Check the power connection. | Mains voltage must be 220-240 V, and product must be plugged into a grounded socket.                                      |
| Illumination lamp does not operate | Check the power connection. | Mains voltage must be 220-240 V, and product must be plugged into a grounded socket.                                      |
| Illumination lamp does not operate | Check the lamp switch.      | Lamp switch must be at "on" position.                                                                                     |
| Illumination lamp does not operate | Check the bulbs.            | Bulbs must be operative.                                                                                                  |
| Product's Air Intake is Weak       | Check The Aluminium Filter. | The aluminium cartridge filter should be washed once a month under normal conditions.                                     |
| Product's Air Intake is Weak       | Check The Air Outlet Flue.  | Air Outlet Flue Must Be Open.                                                                                             |
| Product's Air Intake is Weak       | Check The Carbon Filter.    | In products that work with carbon filters, carbon filter must be replaced once in every 3 months under normal conditions. |

| Fault description                           | Cause                       | Remedy                                                                                                                    |
|---------------------------------------------|-----------------------------|---------------------------------------------------------------------------------------------------------------------------|
| It Does Not Discharge Air (in flueless use) | Check The Aluminium Filter. | The aluminium cartridge filter should be washed once a month under normal conditions.                                     |
| It Does Not Discharge Air (in flueless use) | Check The Carbon Filter.    | In products that work with carbon filters, carbon filter must be replaced once in every 3 months under normal conditions. |

## 12 TECHNICAL TABLE

|                           |                  |
|---------------------------|------------------|
| Supply Voltage            | 220 - 240 V 50Hz |
| Insulation Class of Motor | F                |
| Insulation Class          | CLASS I          |



This product complies with the 2014/30/EC (Regulation on Electromagnetic Compliance) and 2014/35/EC (Regulation on Low Voltage Devices (LVD)) Directives.



This device complies with the Directive on the Control of Waste Electrical and Electronic Equipment.

Specifications of the device and this manual may be modified without prior notification.