

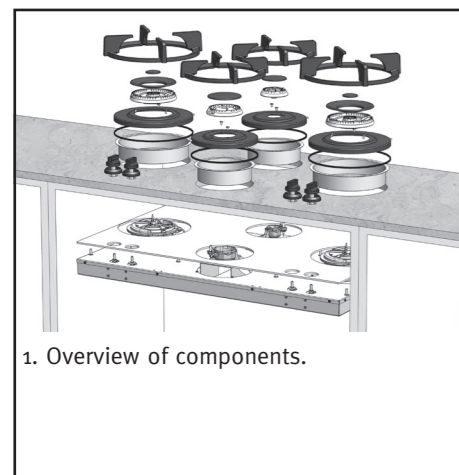
*Made in Holland*

*Installation instructions*

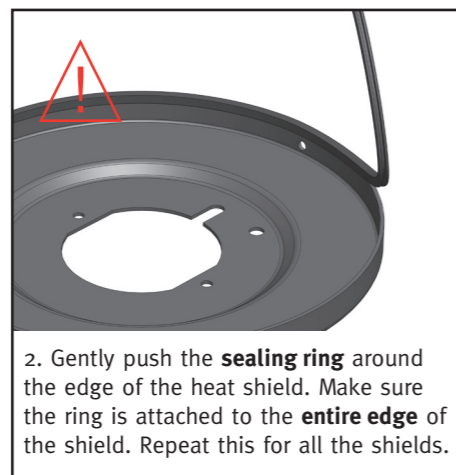
**PITT**  
BY REGINOX



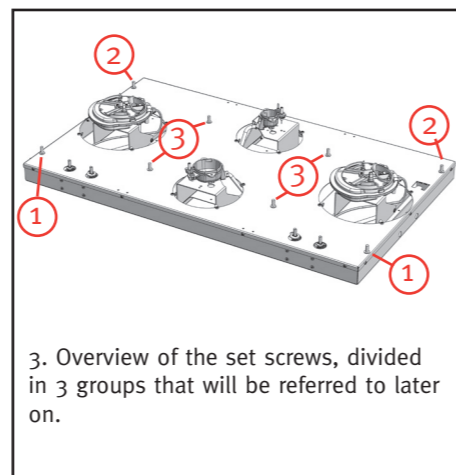
## Installation instructions



1. Overview of components.



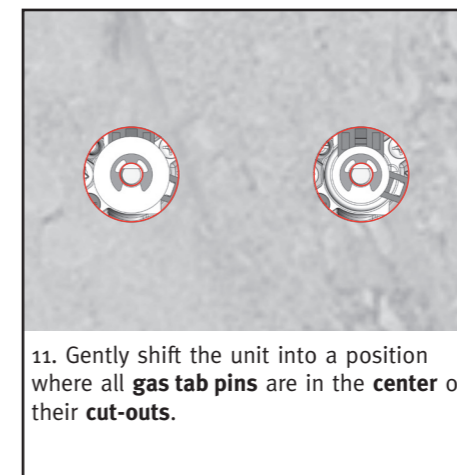
2. Gently push the **sealing ring** around the edge of the heat shield. Make sure the ring is attached to the **entire edge** of the shield. Repeat this for all the shields.



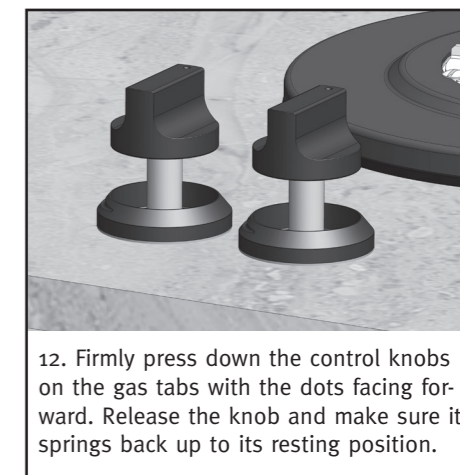
3. Overview of the set screws, divided in 3 groups that will be referred to later on.



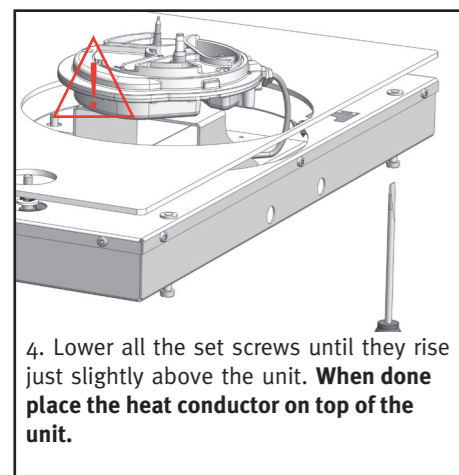
10 Do **not separate** the **protective film** from the adhesive strip for the next steps!



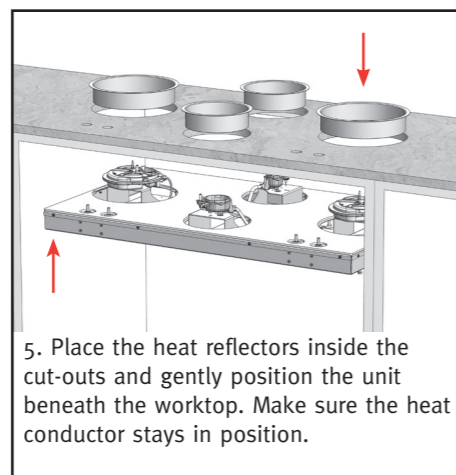
11. Gently shift the unit into a position where all **gas tab pins** are in the **center** of their **cut-outs**.



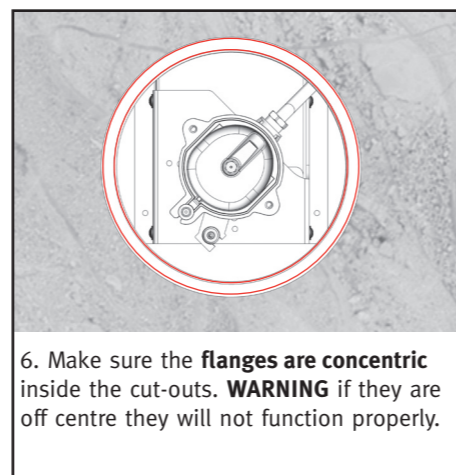
12. Firmly press down the control knobs on the gas tabs with the dots facing forward. Release the knob and make sure it springs back up to its resting position.



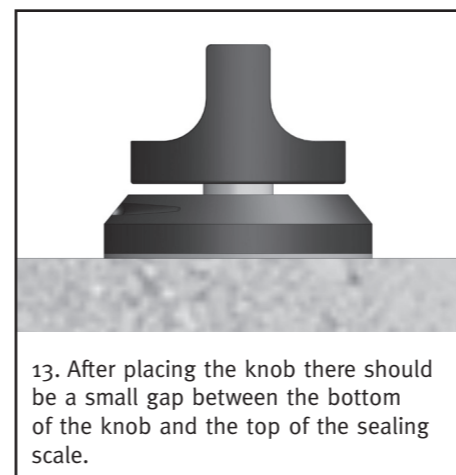
4. Lower all the set screws until they rise just slightly above the unit. **When done place the heat conductor on top of the unit.**



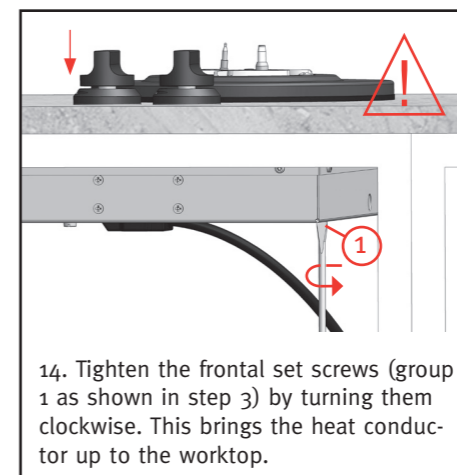
5. Place the heat reflectors inside the cut-outs and gently position the unit beneath the worktop. Make sure the heat conductor stays in position.



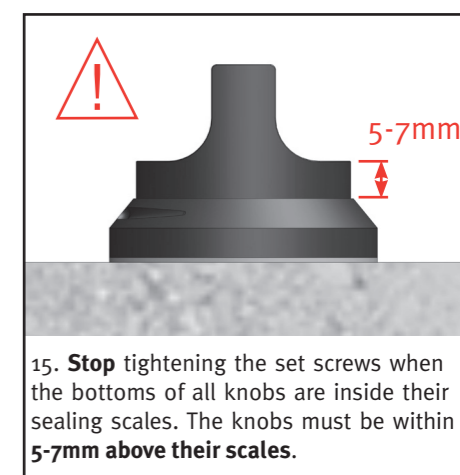
6. Make sure the **flanges are concentric** inside the cut-outs. **WARNING** if they are off centre they will not function properly.



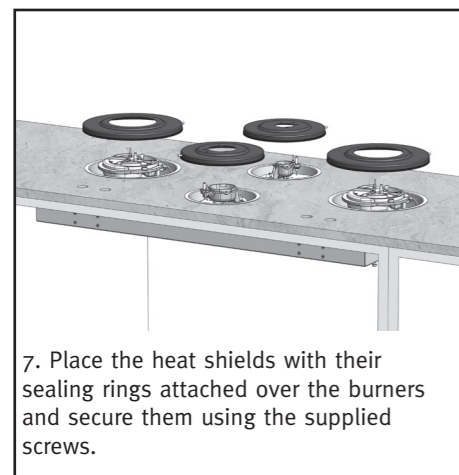
13. After placing the knob there should be a small gap between the bottom of the knob and the top of the sealing scale.



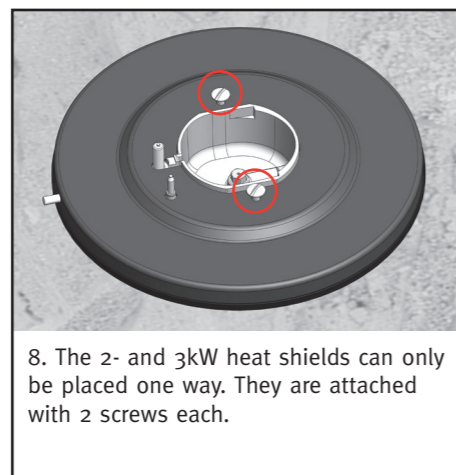
14. Tighten the frontal set screws (group 1 as shown in step 3) by turning them clockwise. This brings the heat conductor up to the worktop.



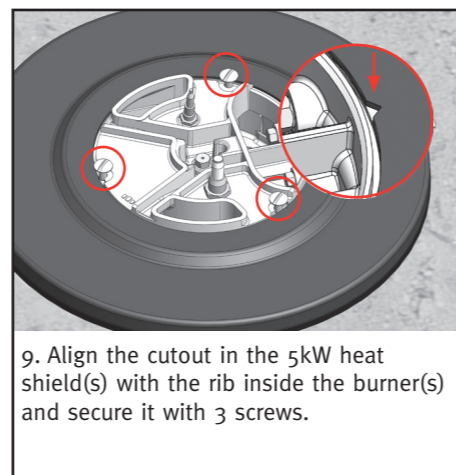
15. **Stop** tightening the set screws when the bottoms of all knobs are inside their sealing scales. The knobs must be within **5-7mm** above their scales.



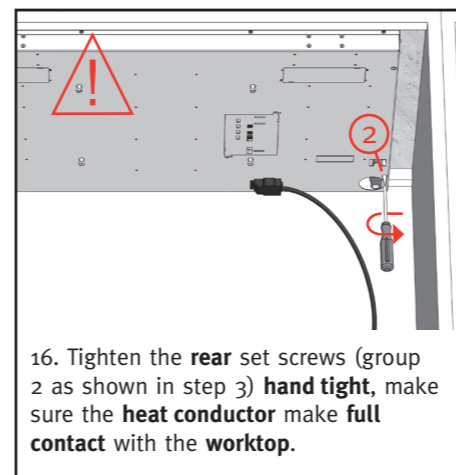
7. Place the heat shields with their sealing rings attached over the burners and secure them using the supplied screws.



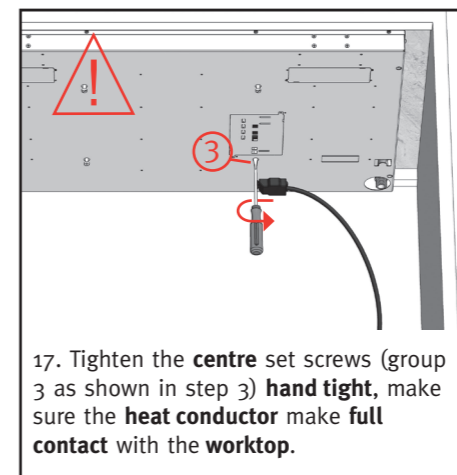
8. The 2- and 3kW heat shields can only be placed one way. They are attached with 2 screws each.



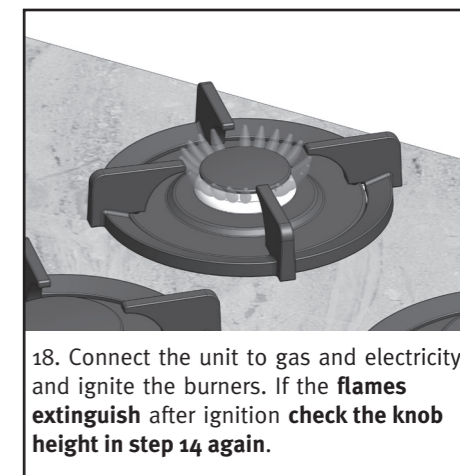
9. Align the cutout in the 5kW heat shield(s) with the rib inside the burner(s) and secure it with 3 screws.



16. Tighten the **rear** set screws (group 2 as shown in step 3) **hand tight**, make sure the **heat conductor** make **full contact** with the **worktop**.



17. Tighten the **centre** set screws (group 3 as shown in step 3) **hand tight**, make sure the **heat conductor** make **full contact** with the **worktop**.



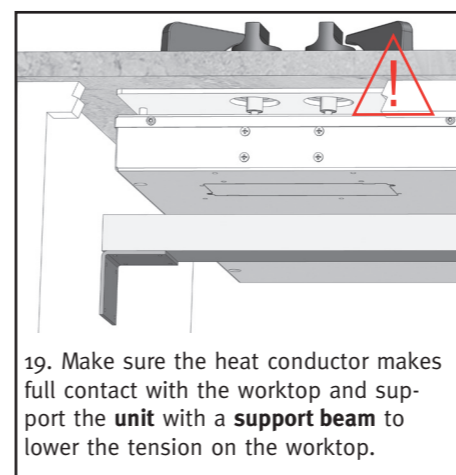
18. Connect the unit to gas and electricity and ignite the burners. If the **flames extinguish** after ignition **check the knob height in step 14** again.



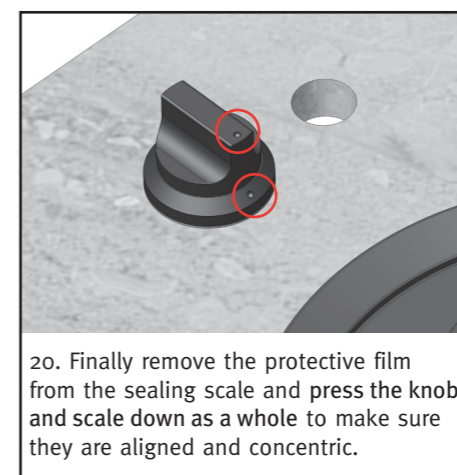
### Important!

When the control knobs are **not** properly adjusted the burners will not ignite or burn evenly.

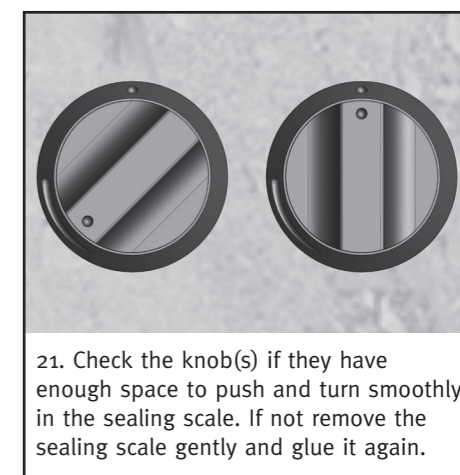
For **warranty** and the **proper functioning** of the cooking unit ensure the mounting is as described in this manual to the letter.



19. Make sure the heat conductor makes full contact with the worktop and support the **unit** with a **support beam** to lower the tension on the worktop.



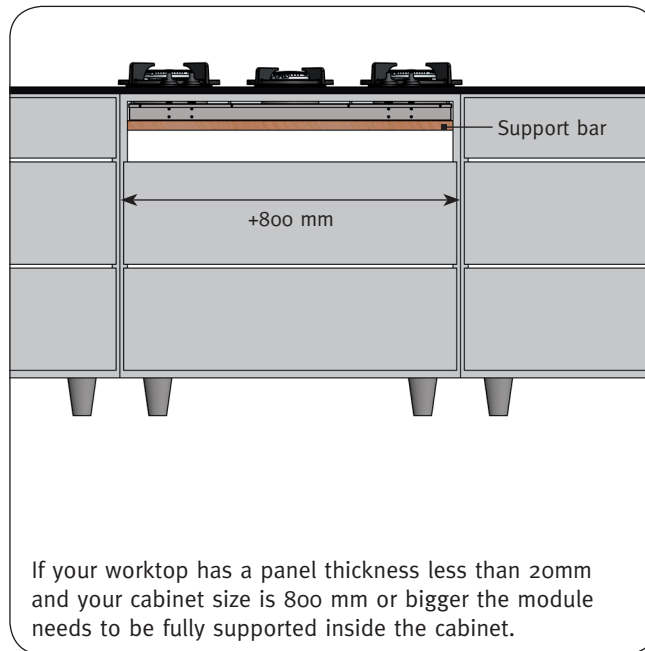
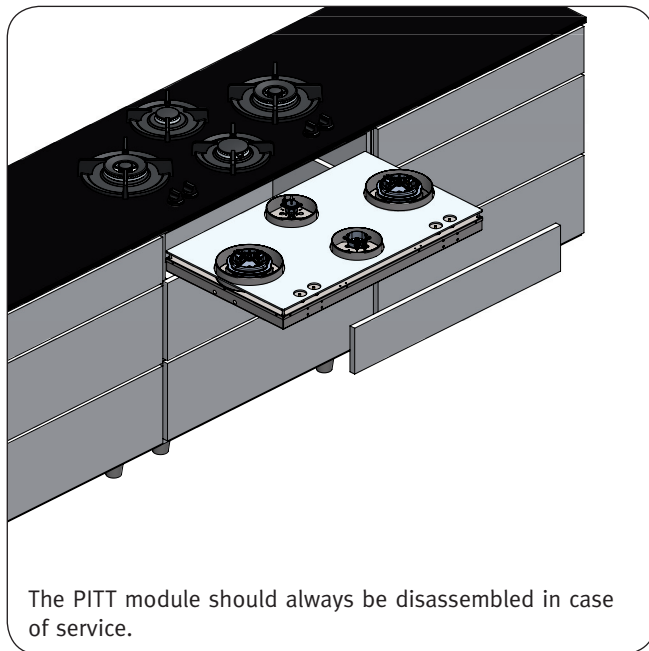
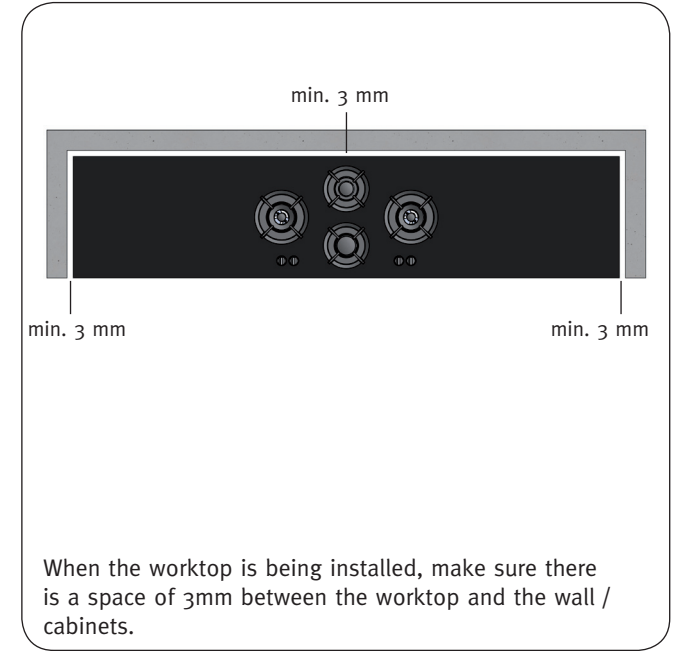
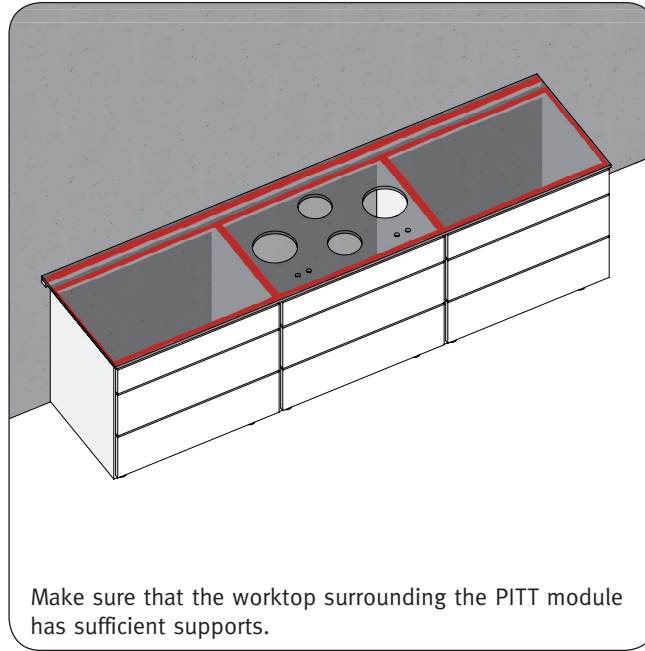
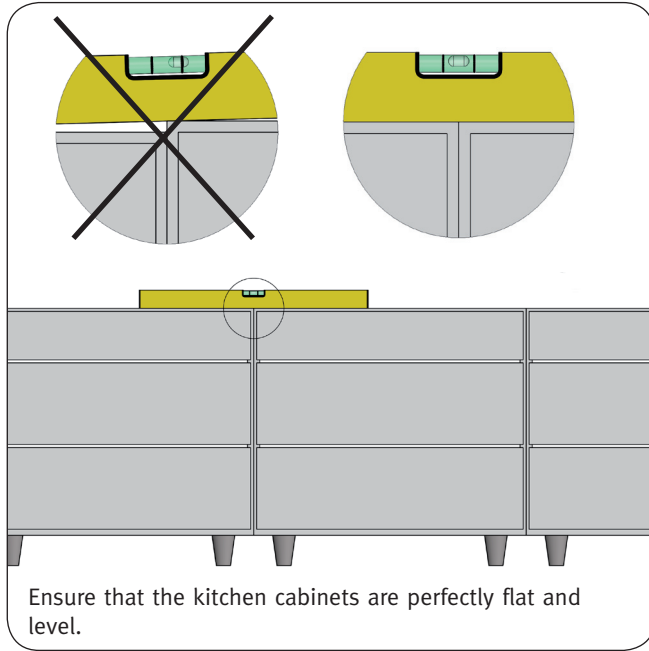
20. Finally remove the protective film from the sealing scale and press the knob and scale down as a whole to make sure they are aligned and concentric.



21. Check the knob(s) if they have enough space to push and turn smoothly in the sealing scale. If not remove the sealing scale gently and glue it again.

## Requirement for installation worktops with PITT:

# PITT



Requirement for making cutouts in countertops serving PITT:

**PITT**

