



Installation and User Manual

Model: IK79



KITCHEN/LAUNDRY SINKS



BATHROOM BASINS



TAPWARE



RANGEHOODS

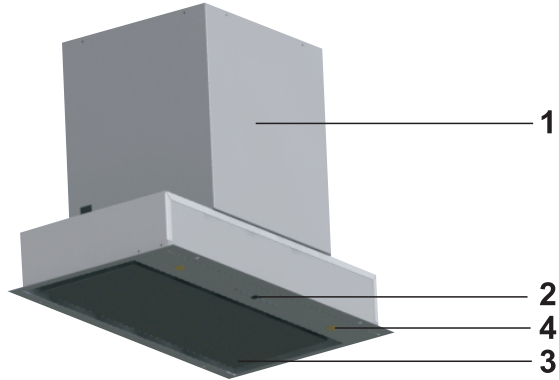


COOKTOPS



WASTE DISPOSALS

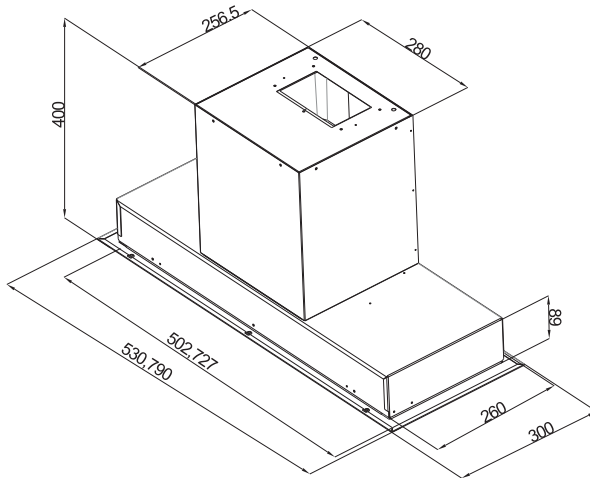
DESCRIPTION OF PRODUCT



- 1) Cooker hood sheet body
- 2) Cooker lighting
- 3) Edge Suction Steel
- 4) Control panel

Picture 1

Sizing of Cooker Hood



1175

Figure 1

WARNINGS AND SAFETY PRECAUTIONS

- * This product has been designed for domestic use.
- * Usage voltage of your product is 220-240 Volt~50 Hz.
- * Power cord of your product is fitted with a grounded plug. This cord must definitely be connected to a grounded socket.
- * The whole electrical wiring must be installed by a qualified electrician.
- * Installation by unauthorized persons could lead to poor operation performance, damage to the product, and accidents.
- * The power supply cable must not be stuck in any place or exposed to crushing during the installation process. The mains cord must not pass close to cookers; otherwise, it could melt and cause a fire.
- * Do not plug in the appliance before the installation.
- * Make sure that the installation place allows the user to easily unplug the power cable in case of any danger.
- * Do not touch your product's lamps when they work for a long time. Since they would be hot, they could burn your hand.
- * The kitchen cooker hoods intended for household use have been produced for normal cooking practices. When used for other purposes, a failure risk arises, and the appliance becomes out of warranty coverage.
- * Comply with the rules and instructions regarding discharge of outgoing air, stipulated by the relevant authorities (This warning does not apply to uses without flue).
- * Flammable foods must not be cooked under the appliance.
- * Switch on the product after placing saucepan, pan, etc. on the cooker. Otherwise, high temperature may cause deformation of some parts of your product.
- * Turn off the cooker's burner before taking the saucepan, pan, etc. off the cooker.
- * Do not leave hot oil on your cooker. Pots that contain hot oil might lead to inflammation.
- * While cooking food such as fried foods, etc. oil might catch fire; watch out your curtains and covers.
- * Ensure timely replacement of the filters. Filters not replaced in a timely manner pose risk of fire due to accumulated grease deposits on them.
- * Do not use non-fire-resistant filtering materials instead of the filter.
- * Do not use your product without a filter, and do not remove filter while your product is in operation.
- * In case of any deflagration, de-energize the cooker hood and cooking appliances. (De-energize the appliance by unplugging it.)
- * If your product's periodic cleaning is not made in a timely manner, it could pose risk of fire.
- * De-energize the appliance before maintenance processes. (De-energize the appliance, by unplugging it.)
- * When electric cooker hood and devices fed with energies other than electricity operate simultaneously, the negative pressure in the room must not exceed 4 Pa (4 X 10 bar).
- * Gas or fuel oil burning appliances, such as room heaters, which share the same environment with your product, must be fully insulated from the exhaust of this product or they must be hermetical.
- * When you make a flue connection for your product, use pipes with a diameter of 150mm or 120 mm. The length of the pipe connection as well as the number of elbows must be as minimum as possible.
- * Make sure your child does not play

with the product. Do not allow little children to use your product.

For your safety, use "MAX 6 A" fuse in the cooker hood system.

-5

* Since the packing materials could be dangerous, keep them away from children.

* If the power supply cable is damaged, it must be replaced by its manufacturer or authorized technical service or any other personnel qualified at the same level, in order to avoid any dangerous situation.

* In case of any deflagration, de-energize the cooker hood and cooking appliances, and cover the flame. Never use water to extinguish the fire.

Warnings Regarding Shipment and Transportation

*All materials used in the package of your product are appropriate for recycling.

*Follow the signs stated on the package during shipment.

*Grab the knobs at the sides of your package to handle the product.

If you need shipment;

*Keep the original package.

*Carry by using the original package; follow the handling signs on the package.

If the original package is missing;

*Do not place any weight on the cooker hood.

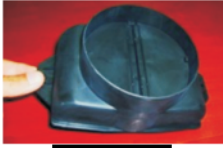
*Protect the external surface against impacts.

*Carry the product by packaging in a manner to prevent damage.

* When cooking appliances are in operation, their accessible parts could be hot.

* This appliance is not intended to be used by people with physical, sensory and mental disabilities (including children) or those who have not adequate experience and knowledge regarding its use, unless they are under the supervision of a person responsible for the safety of the appliance.

Standard Accessories



Picture 2

Plastic Flue

Plastic flue that is mounted to the air vent of cooker hood. (Picture 2)

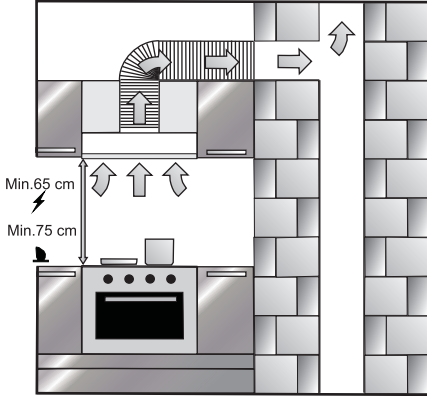


Figure 2

Position of Device:

After the installation of the cooker hood, the minimum distance must be 60 cm between the product and any electric cooker; and 65 cm between it and any gas ranges or cookers burning other fuels.

(Figure 2)

Installation and Unpacking of the Appliance

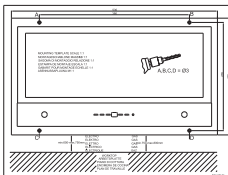
- * Check to see if there is any deformation in your appliance.
- * Transport damages must be immediately reported to the person responsible for the shipment.
- * The faults that may be seen must be reported to the seller.
- * **Do not allow children to play with packaging materials !!!**



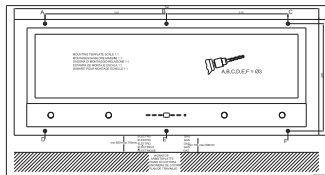
Şekil 3

Screwing the Plastic Flue

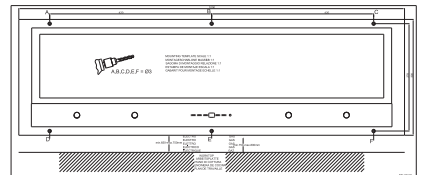
Before placing the cooker hood in the cabinet, screw the plastic flue. (Figure 3)



1175 60 Installation Draft



1175 90 Installation Draft



1175 100 Installation Draft



Picture 3

Mounting of aluminium pipe

Mount one end of the aluminium pipe to the plastic flue you have installed. Mount the other end to the kitchen flue; make sure that both connections are tight enough to avoid removal during operation of the cooker hood at the highest speed. (Picture 3)

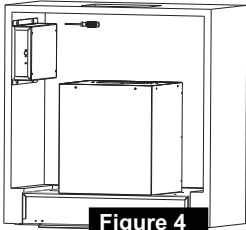


Figure 4

Mount the circuit box of product inside the cabinet (Figure 4).

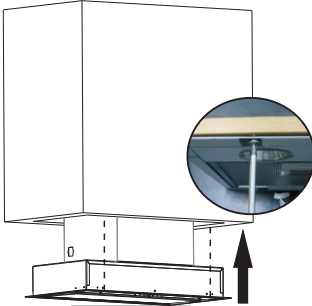


Figure 5

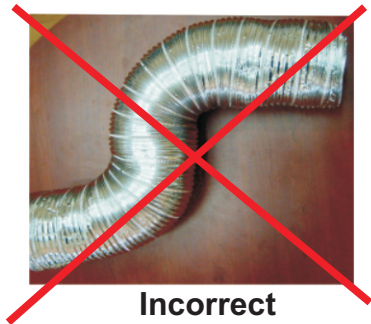
Installation in the Cabinet

Place the cooker hood inside the cabinet. (Figure 5)
Fix the product by aligning the holes drilled according to the mounting draft and holes on the product panel. (Figure 5)

Since twists and bends in the aluminium pipe will lead to reduction in the air suction power, avoid using twists and bends as much as possible. (Picture 4)



Correct



Incorrect

Picture 5

Replacing the Lamps

Disconnect the electrical supply of the cooker hood.

1W LED LAMP

- * Remove the tampered glass.
- * Disconnect the electrical connection of LED lamp.
- * Push on the lamp with your hand, to remove it.
- * Separate the self adhesive tape around the lamps and the body plate from each other.
- * Before placing the new LED lamp, remove the protective folio from the frame, and then stick it on its place on the body of the product. **Figure 6**

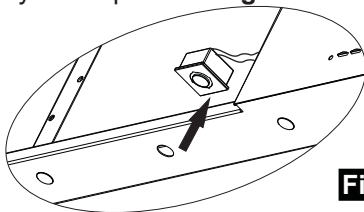


Figure 6

Functions of Device

Cooker hood is used in kitchens with or without flue.

In case of use with flue;

In flue-connected use, cooker hood must be connected to a flue that will discharge the air. Prefer the shortest way for the pipe system that leads to flue, in order to get the maximum efficiency from your cooker hood. Your product leaves the factory in a form appropriate for use with flue.

Warning!!!

Output of the cooker hood must not be connected to air ducts where other smokes exist.



Picture 6

Active Carbon Filter

In environments without flue, active carbon filter must be used for filtering the air and resending it in. Activated carbon filters must be obtained from the authorized technical service or your dealer.

(Picture 5)

Output of the cooker hood must not be connected to air ducts where other smokes exist.

Use of Carbon Filters

The product you are using has a carbon filter use feature. Use of carbon filters is as specified below. De-energize your appliance before replacing the carbon filter.

Since carbon filters are used in kitchens without flue outlet, they must be replaced with new ones every 3-5 months, depending on their use. Carbon filters must never be washed. Grease filters must be installed in the product, regardless of whether or not carbon filters are used. Do not use your product without grease filter.

Replacement of Carbon Filters

2 carbon filters must be used in the product. To mount the carbon filter, align and turn clockwise the channels on the motor cap and channels on the carbon filter. Turn anti-clockwise to remove it (Figure 7).

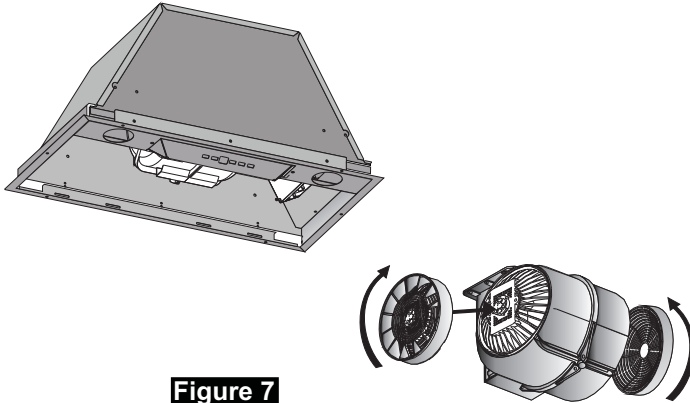


Figure 7

TECHNICAL SPECIFICATIONS

Supply voltage	220-240 V 50Hz
Insulation class of the motor	F
Insulation class	CLASS

Table 1

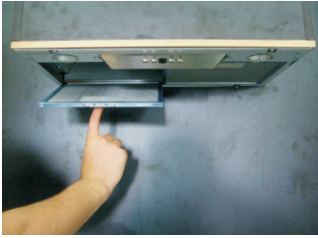
To Use the Cooker Hood Efficiently:

*Use pipes with a diameter of 150/120mm and as few bends as possible while making the flue connection of your cooker hood.

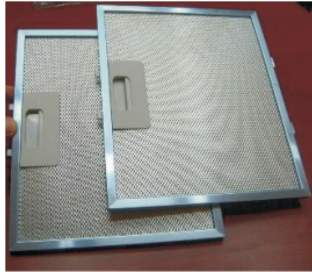
*Pay attention to the cleaning periods of metal filters and replacement times of carbon filters.

*Use the product at medium level when high suction power is not needed.

*In order to allow for ventilation properly, windows that open outwards in the kitchen must be kept closed.



Picture 6



**Washable Aluminium
cassette filter**

Picture 7

Maintenance

* The cooker hood must be unplugged or the switch must be turned off before maintenance and cleaning processes.

* Aluminium cassette filter captures the dust and oil in the air.

* Metal filter must be washed in hot soaped water or in the dishwasher, if possible, once a month. (60 C)

* Remove the aluminium cassette filter by pressing the spring catches on the edge. Do not mount in place before drying (Picture 6-7).

* External surfaces of the cooker hood must be wiped with a cloth dampened with soaped water or alcohol. * Attention must be paid to avoid contact of electronic parts with water or similar materials.

* For Inox products, using commercially available inox cleaner and maintenance products will extend the life of your product.

Warning: Aluminium filters can be washed in dishwashers. Colour of aluminium filters might change after a few washes. This is normal and filters do not need to be replaced.

Efficient Ventilation

In order to allow for ventilation properly, windows that open outwards in the kitchen must be kept closed. In order to create air flow, operate the cooker hood and cooker spontaneously. Suction power will be affected in a positive way. After completion of cooking, leave the device in an operative mood for a while to let it suck the remaining odour and vapour.

IMPORTANT NOTE

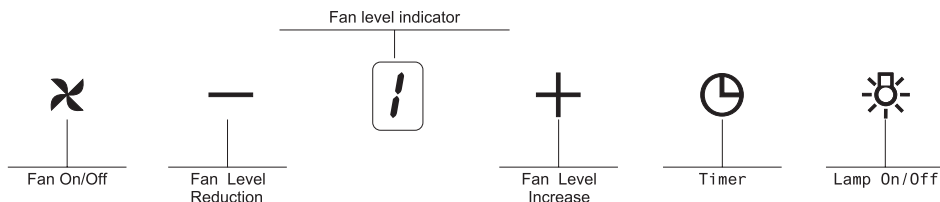
You must be careful when using the appliance spontaneously with other appliances (e.g. gas, diesel fuels, coal, wood, etc. burning heaters, shower heaters), which use the same air in the same environment. Attention must be paid when using them spontaneously. It is because the cooker hood could adversely affect the combustion, by discharging the ambient air.

This warning does not apply to uses without flue.

Operation

This manual applies to several appliance variants. Some specifications described here may not apply to your appliance.

Note: Turn on the hood when you start cooking and turn it off only after a few minutes later than you have finished cooking. The vapor inside the kitchen is removed most effectively in this way.



Turning on the fan: Variant 1

Press the On/Off button.

Increase the fan level with + button or reduce the fan level with - button.

Illumination

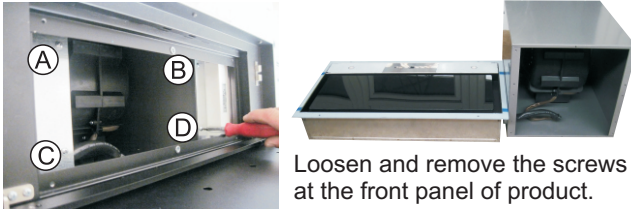
You may turn on or off the illumination irrespective of the fan.

Timer: ⌚ When you press this button for more than 2 seconds, a timer function of 15 minutes shall be activated, display shall signal when the timing function has started and motor shall stop automatically after 15 minutes.

CONVERSION OF PRODUCT TO EXTERNAL MOTOR



Disconnect the power of product, and remove the connection cables shown in the above picture.



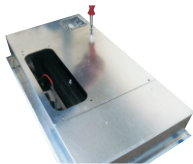
Loosen and remove the screws at A, B, C, D points at the front panel of product.



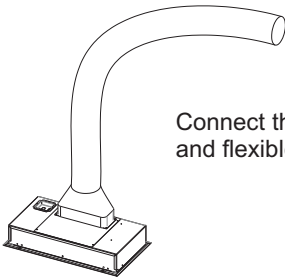
External Motor Conversion Kit



Screw the steel part with circular air discharge found in the accessories to the air vent of motor cabinet and mount the flue adapter.



Screw the steel part with rectangular outlet found in the accessories to the upper part of front panel and mount the rectangular steel adapter.



Connect the flue adapter to air vent and flexible pipe.

	Check electric connection(Voltage of the electric network should be between 220-240V, cooker hood should be connected to grounded)	Check motor switch (Motor switch should be at on position)	Check motor switch (Motor switch should be at on position)	Check aluminum filter(Aluminum Cassette Filter should be washed once a month at normal conditions.)	Check lamps(Lamps should be firm.)	Check outlet (Outlet should be open)	Check Carbon Filter (Carbon filter should be replaced with a new one each 2-3 months at the models with Carbon Filter at normal conditions)
Cooker-hood does not work	✓	✓					
Illumination Lamp does not work	✓		✓		✓		
Cooker-hoods air suction is weak				✓		✓	✓
Cooker-hood does not direct air out (at places without chimney)				✓			✓

Before Contacting Authorized Dealer

Ensure that the appliance is plugged in the outlet and that the fuses are OK.

If the Lighting Does Not Operate:

Ensure that the appliance is plugged in the outlet and that the fuses are OK. Check the bulbs. Always unplug the appliance during this check. Tighten if the bulbs are loosened; you may replace them if they do not turn on although you have tightened them.

Possible Faults and Things To Do Before Contacting the Service:

A) If the appliance does not operate anyway:

- Check the fuse that the appliance is connected and main fuse of your home.- Check whether the hood is plugged and whether the plug is fully seated on the outlet.

B) If the performance of the appliance is not enough or operates loudly:

- Is the outlet diameter of the flue adequate? (min. 120 mm).

- Are metal filters clean? Check it.

- Ensure that the carbon filters are not older than 6 months if you are using the hood flueless.

- Make sure that your kitchen is adequately ventilated to ensure the air flow.

Contact authorized service if the performance of your appliance does not still satisfy you.

