

DOWNDRAFT

Hoods



1, en_US

Table of contents

1	INPUT	4
2	TECHNICAL DRAWING	5
3	WARNING AND SAFETY PRECAUTIONS	9
	3.1 LETHAL RISK, DANGER OF POISONING.....	11
4	CLEANING AND PREVENTIVE MAINTENANCE	15
	4.1 Cleaning the metal oil filters.....	15
5	DESCRIPTION OF THE APPLIANCE	17
	5.1 INSTALLATION AND UNPACKING OF THE APPLIANCE.....	17
	5.2 AIR FILTERING OPTIONS.....	18
6	CONTENT OF PACKAGE	19
7	ASSEMBLY OF PRODUCT	20
8	USE OF PRODUCT	26
9	AUTHORIZED SERVICE	28

1 INPUT

This guideline and the safety data includes all necessary information for a safe mounting as well as a safe use without defects.

- Please read all of this guideline and safety data before using the appliance. Make the most suitable installation plan according to these information
- Keep the guideline in an appropriate place.
- If you pass the appliance onto others, make sure you also give this guideline and safety data.
- Disregarding this guideline may result in severe injuries and defects in the appliance.
- Please keep in mind that we won't be responsible for the defects arising from not taking this guideline into account.

The figures in this guideline aim to visually describe the actions. In these figures only one model of the appliance is illustrated. However, all instructions or figures also represent other models.

2 TECHNICAL DRAWING

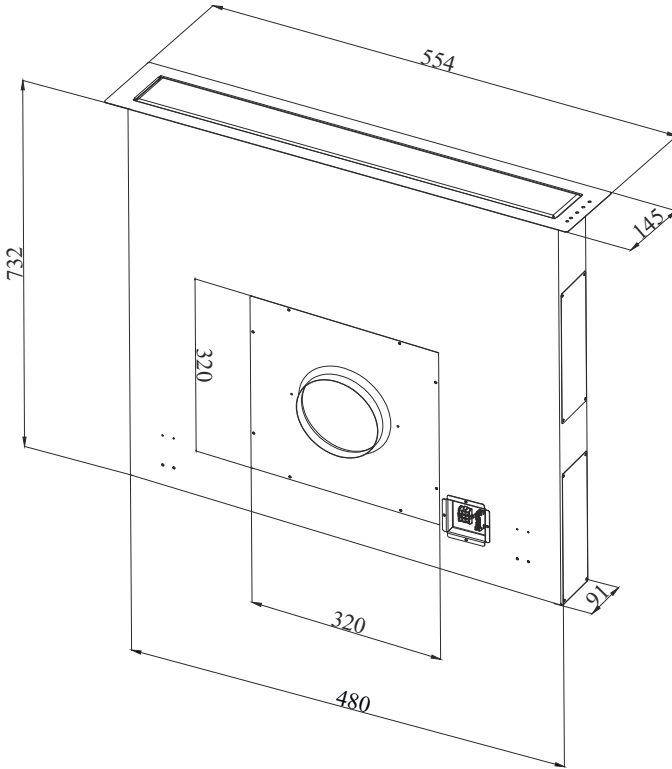


Fig. 1

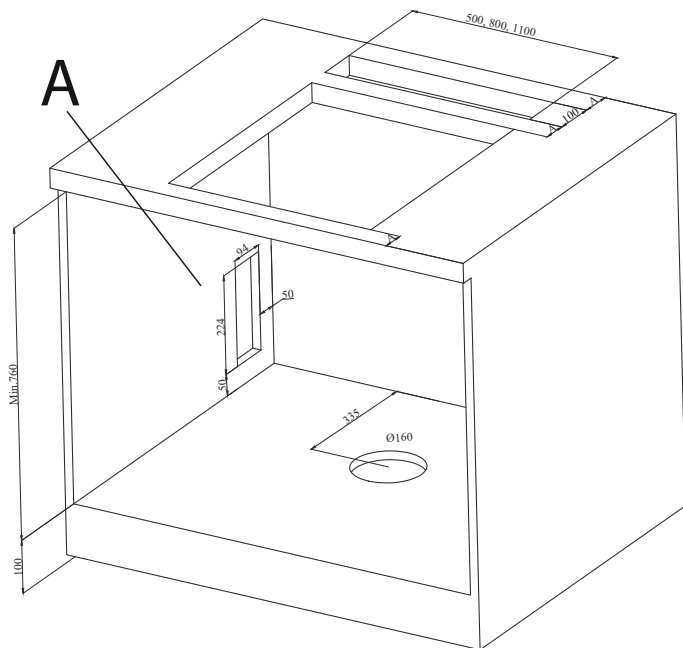


Fig. 2

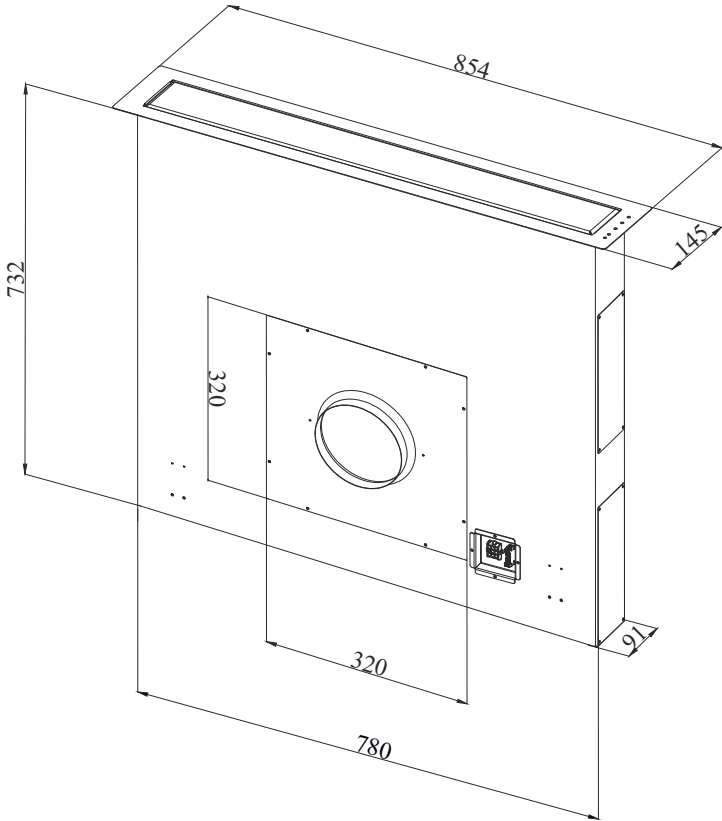


Fig. 3

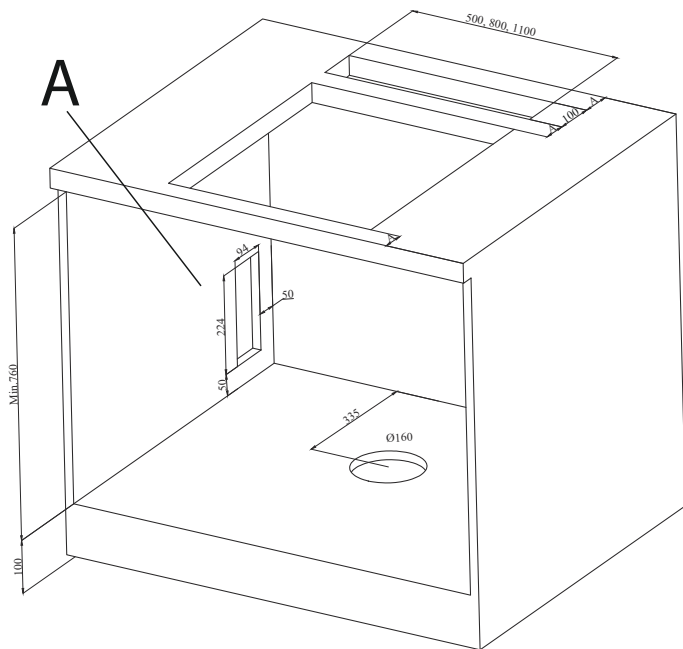


Fig. 4

3 WARNING AND SAFETY PRECAUTIONS

WARNING AND SAFETY PRECAUTIONS

- This appliance can be used by children of 8 years and older, people with physical, sensory or mental capability deficiency or people with lack of experience or knowledge; as long as they are provided supervision or instructions for the safe use of the appliance and they comprehend the dangers.
- Children should not tamper with the appliance. Cleaning and user maintenance operations must not be performed by children unless supervised.
- This product is designed for home use.
- Usage voltage of your product is 220-240 Volt~50 - 60 Hz.
- Power cord of your product is fitted with a grounded plug. This cord must be plugged into a grounded outlet.
- The whole electrical wiring must be installed by a qualified electrician.
- Installation by unauthorized persons could lead to poor operation performance, damage to the product, and accidents.
- Feeder cable of the appliance must not be exposed to jamming or crashing during assembly. Feeder cable mustn't be placed near the cooker. In such cases, it might melt down and lead to fire.
- Do not plug in the appliance before the installation.
- Make sure that the installation place allows the user to easily unplug the power cable in case of any danger.
- Do not touch your product's lamps when they work for a long time. Since they would be hot, they could burn your hand.
- Kitchen hoods are manufactured for household use in normal home cooking. There is a risk of malfunction in other types of use, and the product guarantee will be void.
- Comply with the rules and instructions regarding discharge of outgoing air, stipulated by the relevant authorities. (This warning does not apply to uses without flue.)
- Flammable foods must not be cooked under the appliance.
- Start your product after you place pot, pan etc. on the stoves. Otherwise, high temperature may cause same parts of your products to deform.
- Turn off the cooker's burner before taking the saucepan, pan, etc. off the cooker.
- Do not leave boiling oil on the stove. Pots that contain boiling oil may catch fire by itself.
- Since oils could catch fire when you cook fried foods in particular, be careful about your curtains and tablecloths.
- Ensure timely replacement of the filters. Filters not replaced in a timely manner pose risk of fire due to accumulated grease deposits on them.

WARNING AND SAFETY PRECAUTIONS

- Do not use non-fire-resistant filtering materials instead of the filter.
- Do not operate your product without filter, and do not remove the filters when the product is in operation.
- In case of any fire, de-energize the hood and any other cooking appliances. (Plug off the appliance or turn off the main switch).
- If your product's periodic cleaning is not made in a timely manner, it could pose risk of fire.
- De-energize the appliance before any maintenance operations. (Plug off the appliance or turn off the main switch.)
- When electric cooker hood and appliances fed with energies other than electricity operate simultaneously, the negative pressure in the room must not exceed 4 Pa (4 X 10 bar).
- Gas or fuel oil burning appliances, such as room heaters, which share the same environment with your product, must be fully insulated from the exhaust of this product or they must be hermetical.
- * When you make a flue connection for your product, use pipes with a diameter of 150mm or 120 mm. The length of the pipe connection as well as the number of elbows must be as minimum as possible.
- Children must not play with the appliance.
- For your safety, use "MAX 6 A" fuse in the hood system.
- Since the packing materials could be dangerous, keep them away from children.
- If the feeder cable is damaged, it must be replaced by its manufacturer or its authorized technical service or any other personnel qualified at the same level, in order to avoid any dangerous situation.
- In case of any deflagration, de-energize the cooker hood and cooking appliances, and cover the flame. Never use water to extinguish the fire.
- When cooking appliances are in operation, their accessible parts could be hot.
- This appliance is not intended to be used by people with physical, sensory and mental disabilities (including children) or those who have not adequate experience and knowledge regarding its use, unless they are under the supervision of a person responsible for the safety of the appliance.
- Output of the hood must not be connected to air ducts, where there exist another smokes.
- You must be careful when using the appliance spontaneously with other appliances (e.g. gas, diesel fuels, coal, wood, etc. burning heaters, shower heaters), which use the same air in the same environment Attention must be paid when using them simultaneously. It is because the hood could adversely affect the combustion, by discharging the ambient air. This warning does not apply to uses without flue.

3.1 LETHAL RISK, DANGER OF POISONING

⚠ DANGER

Warning - Choking Hazard
The packaging materials are dangerous for children. Never allow children to play with packaging materials.

⚠ DANGER

Warning - Death Hazard There are life-threatening danger and poisoning danger due to reabsorbed combustion gases. During the air discharge outlet use, unless sufficient air supply is provided, do not use the appliance simultaneously with devices that discharge toxic gases through flue such as ventilated, gas, oil, wood or coal burning heaters, shower heaters, water heaters, etc. Fig. 5



Fig. 5: Poisoning Danger

Ventilated goods (e.g. gas, oil, wood or coal burning heaters, shower heaters, water heaters) take combustion air from the installation location, and discharge the waste gas through a waste gas system (e.g. flue). When the cooker hood is active, it absorbs air from the kitchen and neighbouring rooms. If adequate air entry is not pro-

vided, vacuum emerges. In such a case, the toxic gases are absorbed from the flue and waste gas channel, and are taken into the door again. Fig. 5

- Therefore, adequate fresh air ingress must always be ensured. Fig. 6

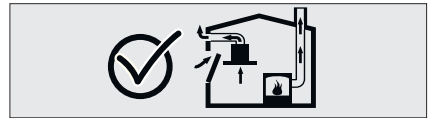


Fig. 6

WARNING AND SAFETY PRECAUTIONS

LETHAL RISK, DANGER OF POISONING

WARNING

Fire danger!

- The oil residue in the grease filter may catch fire. Clean the grease filter at least once every 3 months. Never operate the device without the grease filter .
- The oil residue in the grease filter may catch fire. Never work with open flame (ex. flambe) near the device. The apparatus is allowed to be installed near a solid fuel (e.g. wood or coal) heater only if it has a non-removable cover. No sparks should be scattered.
- Hot oils and fats catch fire easily. Hot oils and fats should never be left unattended. Never try to put out fire with water. Turn off the cooker. Kill the flames carefully using a cover, fire blanket or a similar material.
- Gas operated cookers that do not have a cooking pot on create high heat during operation. A ventilation device placed over the cookers can be damaged or burned for this reason. Operate gas cookers only when there is a cooking pot on them.
- Operating multiple gas cookers simultaneously creates high heat. A ventilation device placed over the cookers can be damaged or burned for this reason. Never operate two gas cookers longer than 15 minutes on high flame setting. A large burner over 5kW (Wok) has the power of two gas burners.

WARNING

Electrocution hazard!

- A malfunctioning device may cause electric shock. Never turn on a malfunctioning device. Pull the power plug and switch off the circuit breaker. Call customer service.
- Unsuitable repairs pose hazards. Repairs and replacement of damaged power cords must be performed only by a customer services technician trained by us. If the device is malfunctioning pull the power plug and switch off the circuit breaker. Call customer service.
- Water leaking into the device may cause electric shock. High pressure or steam cleaners must not be used.

DANGER

Danger of physical injury!

- During the installation, there is a danger of physical injury due to the sharp edges. Use protective gloves throughout the installation process of the appliance.
- Due to risk of dropping the appliance, assembly of all safety bolts and covers must be performed as specified in the user manual.
- Objects placed on the appliance may fall over. Do not place any objects on the device.
- LED lights are very bright and may damage eyes (Risk group 1). You must not look directly at running LED lights for longer than 100 seconds.

⚠ WARNING

Risk of burn, risk of electric shock!

- Allow the appliance to cool before cleaning or maintenance process. Switch off the fuse or pull out the mains plug from the socket.
- There is risk of damage due to ingress of moisture in the electronics. Do not clean the control components with a wet cloth.
- The surface could be damaged due to a wrong cleaning process. Clean stainless steel surfaces only in their brushing direction. Do not use a stainless steel cleaner for the control elements.
- The surface could be damaged due to aggressive and abrasive cleaning agents. Never use aggressive and abrasive cleaning agents.

⚠ WARNING

Dangers of fire and physical injury!
 In case of repairing that is not performed according to the rules or as required, turn off the fuse or unplug the feeder cable of your appliance. Repairing must be performed only by the authorized technical service or authorized experts.

NOTICE

If the appliance is faulty or damaged, turn off the fuse or unplug the feeder cable of your appliance and call the authorized service.

NOTICE

If the feeder cable is damaged, it must be replaced by its manufacturer or its authorized technical service or any other personnel qualified at the same level, in order to avoid any dangerous situation.

NOTICE

When the bulbs of the device malfunction, switch off the circuit breaker and unplug the device's power plug from the socket. Replace the defective bulbs immediately (leave bulbs to cool down first), in order to protect the remaining bulbs against overloading.

⚠ CAUTION

Accessible components might be heated when used with cooking devices.

⚠ DANGER

Air outlet pipe of this appliance mustn't be connected in the flue used to discharge the fume generated by devices that use gas or other fuels.

WARNING AND SAFETY PRECAUTIONS

LETHAL RISK, DANGER OF POISONING

Damage reasons

CAUTION

Damage hazard due to corrosion. Always run the appliance to prevent condensate formation while cooking. Condensates may cause corrosion damage. Replace the malfunctioning lamp right away to prevent overloading of other lamps. Moisture intrusion in electronic parts poses a risk of damage. Never clean the control elements with a wet cloth. The surface could be damaged due to a wrong cleaning process. Clean stainless steel surfaces only in their brushing direction. Do not use a stainless steel cleaner for the control elements. The surface could be damaged due to aggressive and abrasive cleaning agents. Never use aggressive and abrasive cleaning agents. There is a risk of damage due to condensate liquid backflow. Install the air exit canal with a small downward inclination (1° inclination) from the appliance.

4 CLEANING AND PREVENTIVE MAINTENANCE

⚠ CAUTION

Cleaning and user maintenance of the appliance shall not be performed by unattended children.

- The surface could be damaged due to aggressive and abrasive cleaning agents. Never use aggressive and abrasive cleaning agents. Procure your cleaning and protective substances that are appropriate for your appliance from the authorized technical service. Surface of appliance and control units are sensitive to scratching.
- Clean the surfaces with a soft and damp cloth, dish-washing liquid or mild glass cleaning agent. Soften the dry, sticky dirt with a damp cloth. Do not scrape!
- It is not appropriate to use dry cloths, sponges that may scratch, materials that require rubbing, and other aggressive cleaning agents containing sand, soda, acid or chlorine.
- Clean the stainless steel surfaces in their brushing direction only.
- Do not use stainless steel cleaning agents and wet clothes for control units. Cleaning of metal grease filters Used metal grease filters retain the greasy particles in the moisture and vapour generated in the kitchen. Clean the metal grease filters about every three months, under normal use conditions (1 to 2 hours a day).

- Do not use excessively effective, acidic or alkaline cleaning agents.
- For cleaning the metal grease filters, clean the holder parts of the metal grease filters in the appliance, with a damp cloth as well.
- You can clean the metal grease filters in the dishwasher or by hand.
- Do not apply spray cleaning supplies directly to the product.
- Do not keep flammable and/or heavy decorative items on the product.

4.1 Cleaning the metal oil filters

⚠ WARNING

Risk of due to oilsediments in metal oil filter!

- **Clean the metal oil filter at least every 2 weeks or when the oil filter cleaning warning is displayed.**
- **Never operate the hood without a metal oil filter.**

Risk of due to oilsediments in metal oil filter.

NOTICE

Material damage due to falling of the metal oil filter.

Cleaning the metal oil filters

Removing the metal oil filters

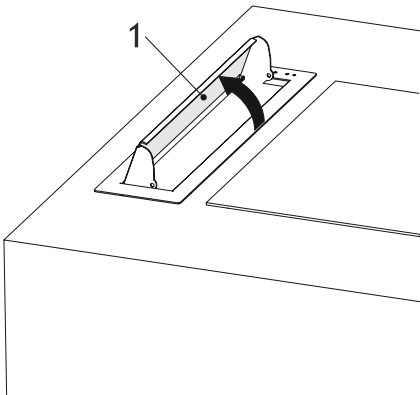


Fig. 7

1- Lateral Absorption Plate/Glass

1. ➔ ■ Open side suction glass on the direction of the arrow (Fig. 7).

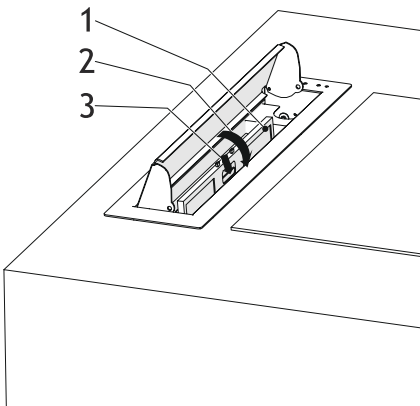


Fig. 8

1- Aluminium Filter

2. ➔ Press the aluminium filter tab (Fig. 8/2) and pull the aluminium filter to the direction of the (Fig. 8/ 3).

Hand-cleaning

3. ➔ **NOTICE! Material damage due to wrong detergent!**

Soften the metal oil filter in hot water and clean it with a soft brush.

4. ➔ Rinse the metal oil filter or the main waste bin with hot water.

Washing n a dishwasher

5. ➔ Place the active carbon filter in the dishwasher loosely and steeply and without any other dishes.
6. ➔ Start a program with a maximum temperature of 55° C.

i *Colour changes may occur due to cleaning in the dishwasher. This will not adversely affect the oil filter or main waste bin functions.*

After cleaning

7. ➔ Allow the metal oil filter to dry on an absorbent coaster.
8. ➔ **Inserting the metal oil filter or main waste bin**

Insert the main waste bin and metal filter by following the instructions above in reverse.

5 DESCRIPTION OF THE APPLIANCE

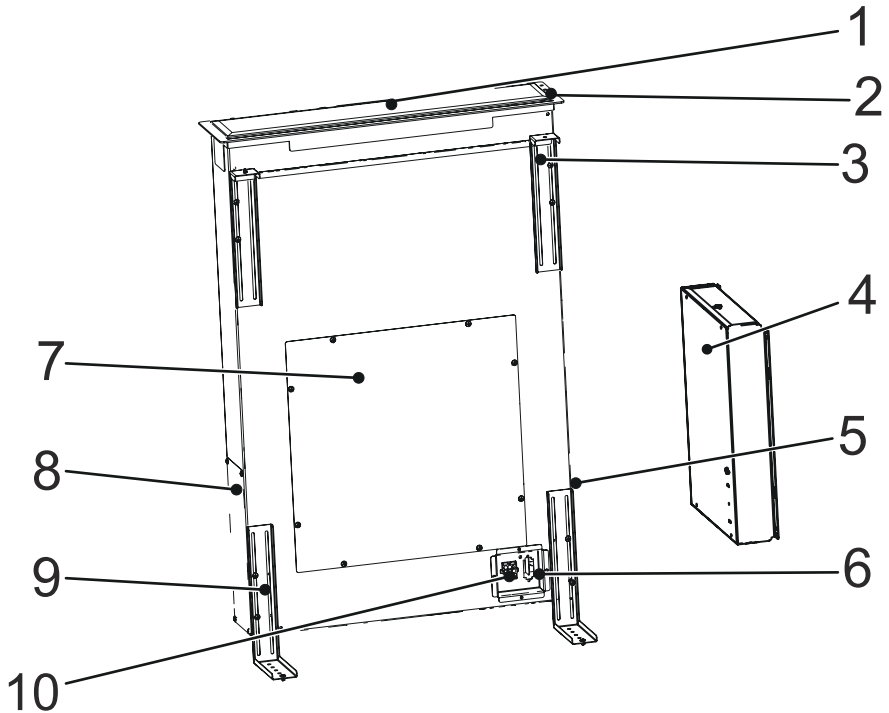


Fig. 9

- | | |
|--|------------------------------------|
| 1- Glass | 7- Product Air Outlet |
| 2- Control Panel | 8- Product Air Outlet |
| 3- 2x Short Bracket | 9- 2X Long Bracket |
| 4- Electronic Circuit Box | 10- Housing Main Connection Socket |
| 5- Product Air Outlet | |
| 6- Switch Patch Cord Connection Socket | |

5.1 INSTALLATION AND UNPACKING OF THE APPLIANCE

- Check that your appliance is not deformed.
- Report any transport issues immediately to transport operator.
- Any faults encountered shall be reported to the dealer, too.
- Do not allow children to play with the packaging materials!

5.2 AIR FILTERING OPTIONS

- Replace the carbon filters on a regular basis.
- Regularly clean your aluminium filters. Since dirty filters would block the air passage, you might have to use the appliance at a higher speed.
- Use your product according to its normal speeds.
- Use at higher speed would cause an increase in the energy consumption.

6 CONTENT OF PACKAGE

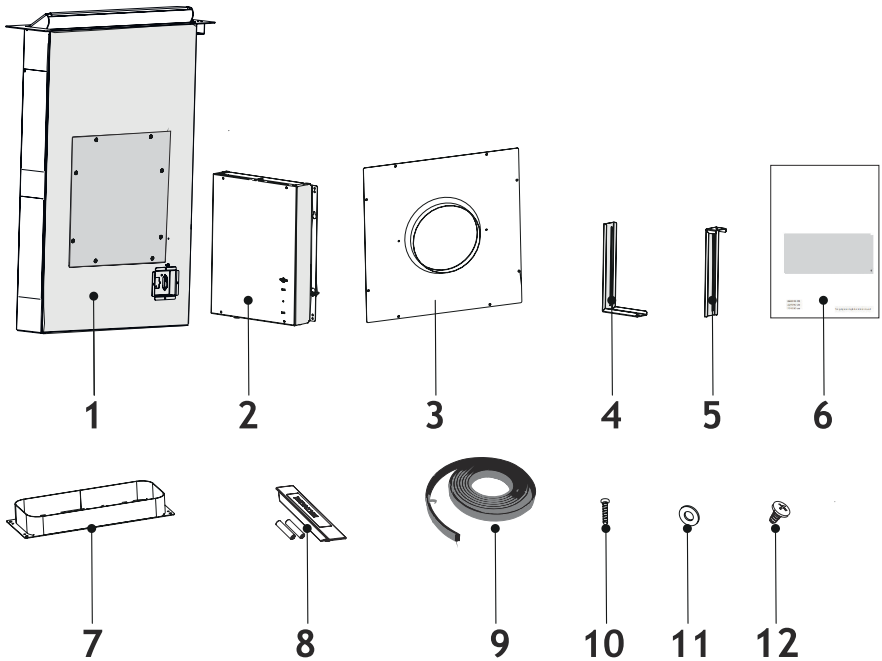


Fig. 10

- | | |
|------------------------------|-------------------------------|
| 1- Product | 7- Air Exhaust Adaptor |
| 2- Electronic Circuit Box | 8- Remote Control and Battery |
| 3- Housing Air Exhaust Plate | 9- Sealing Gasket |
| 4- 2X Long Bracket | 10- 4x 3.9x22 Screw |
| 5- 2x Short Bracket | 11- 4x M4 Washer |
| 6- User Manual | 12- 2x 3,5 x 6.5 Screws |

7 ASSEMBLY OF PRODUCT

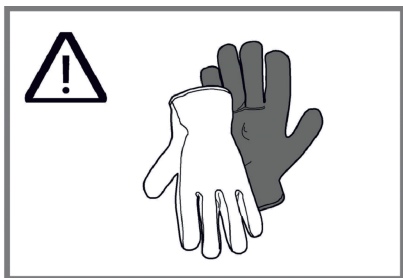


Fig. 11

- Parts inside the appliance may have sharp edges. Use protective gloves (Fig. 11).

⚠ CAUTION

- **The furniture that the appliance will be mounted on should be resistant to 90°C temperature.**
- **The durability of the furniture that will be mounted on should also be ensured after the cutting operations have been completed.**
- **Particularly in thin plates the carrying capacity and durability should be provided with suitable support parts. Consider the weight of the appliance by including additional loads. The reinforcing material used should be heat and moisture resistant. The weight of the appliance is specified in the label on the package.**
- **Clean the sawdust after cutting. Cover the cut surfaces so that they are heat resistant and waterproof.**
- **The cross-sectional surface angle to the working plate should be 90°.**

- Prepare the kitchen counter where the product will be mounted by taking the scaled illustration into consideration ().

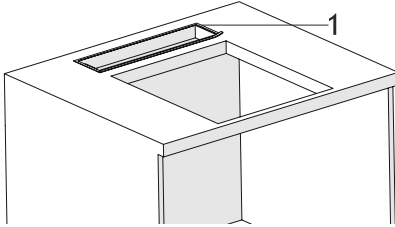


Fig. 12

1- Sealing Gasket

1. ➤ Attach the supplied sealing gasket around the discharge (Fig. 12).
2. ➤ Unpack the appliance.

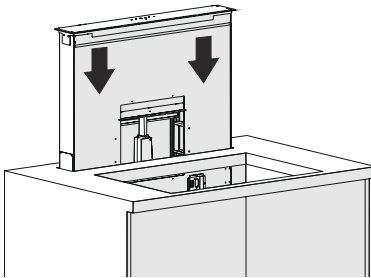


Fig. 13

3. ➤ ■ Place the hob carefully inside the discharge that you have prepared on the kitchen counter (Fig. 13).

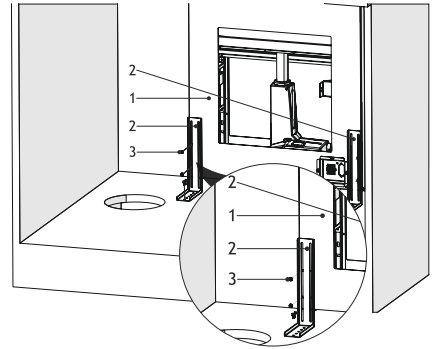


Fig. 14

- 1- Body
- 2- 2x Long Bracket
- 3- 16X 3.5x9.5 Screw

4. ➤ ■ Install the housing from the lower side using 2 long brackets supplied in installation accessories (Fig. 14)

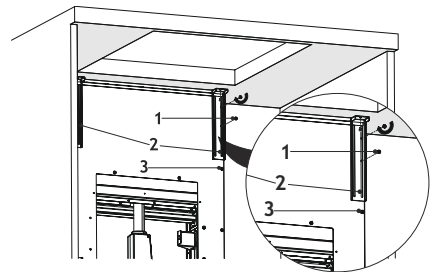


Fig. 15

- 1- 16X 3.5x9.5 Screw
- 2- 2x Short Bracket
- 3- Body

5. ➔ Install the housing from the upper side using 2 short brackets supplied in installation accessories (Fig. 15)

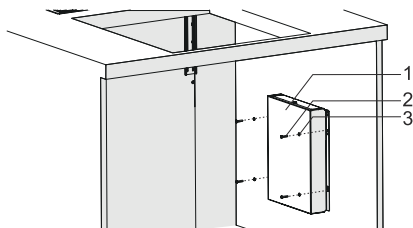


Fig. 16

- 1- Electronic Circuit Box
2- Electronic Circuit Box Connection Screw
3- Rove

6. ➔ Place the hood circuit box at a suitable location in the cabinet. Insert roves to four 3.9x22 screws and mount inside the cabinet (Fig. 16).

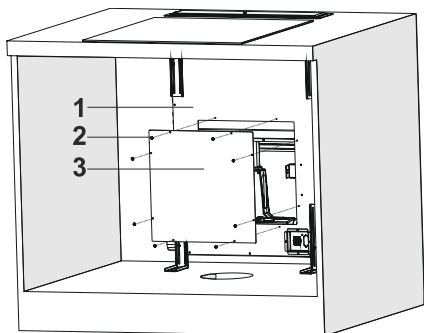


Fig. 17

- 1- Body
2- 8x 3.5 x 6.5 Installation Screw
3- Housing Air Exhaust Cover Plate

7. ➔ ■ Front and rear air exhaust sections are located on the housing. Remove housing air exhaust cover plate according to installation plan (Fig. 17).

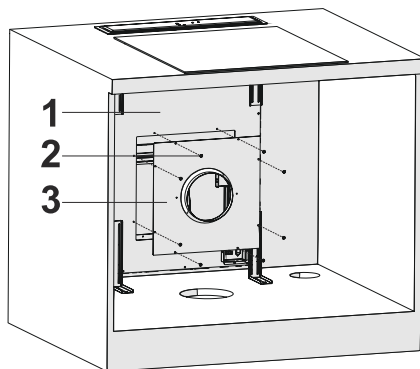


Fig. 18: I

- 1- Body
2- 8x 3.5 x 6.5 Installation Screw
3- Housing Air Exhaust Plate

8. ➔ Install air exhaust plate supplied together using 8x 3.5 x 6.5 screws (Fig. 18).

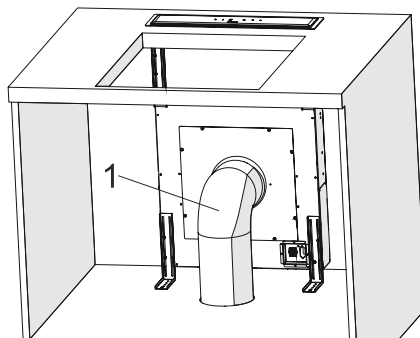


Fig. 19

- 1- Ø150 mm Flexible Pipe

9. ➔ Make the air outlet pipe connection (Fig. 19).

i Air exhaust pipe should have minimum bends and turns. Too many bends and turns will lower the performance of the appliance.

Right and Left Side Air Exhaust Installation

10. ➔ **⚠ CAUTION!** If air exhaust of the appliance will be from the right or left side, prepare the air exhaust section with dimensions stated on Section A of the technical drawing ().

Right and left side air exhaust sections are located on the appliance. These sections are delivered closed. Determine air exhaust direction according to your installation plan.

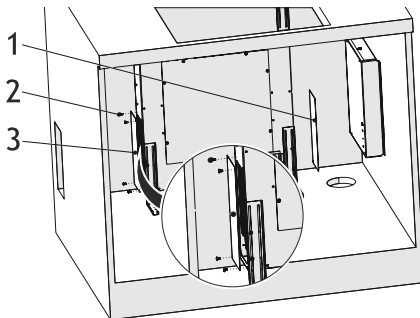


Fig. 20

- 1- Right Air Exhaust Cover Plate
- 2- 4x 3.5x6.5 Screw
- 3- Left Air Exhaust Cover Plate

11. ➔ Remove air exhaust cover plate (Fig. 20).

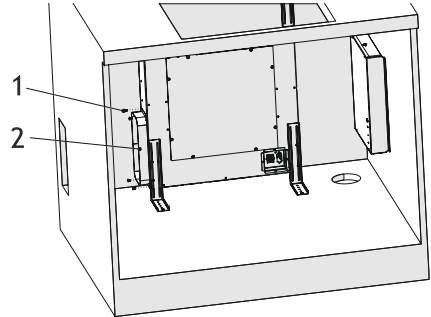


Fig. 21

- 1- 4x 3.5x6.5 Screw
- 2- Air Exhaust Adaptor

12. ➔ Install air exhaust adaptor on the housing using 4x 3.5x6.5 screws (Fig. 21).

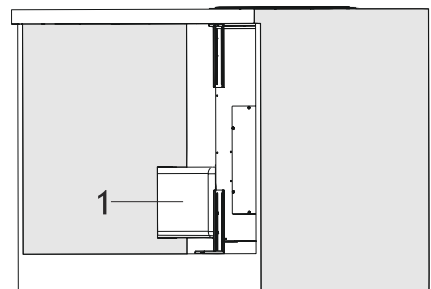


Fig. 22

- 1- Rectangular Pipe

13. ➔ Make air exhaust pipe connection using a suitable dimensioned rectangular pipe (Fig. 22).

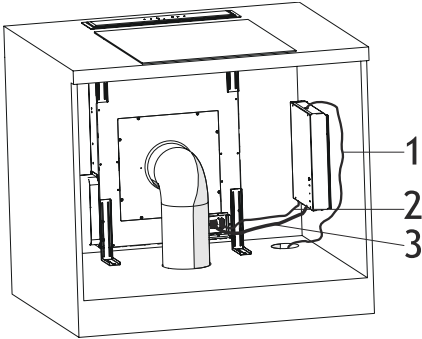


Fig. 23

- 1- Feeding Cable
- 2- Electronic circuit Box - Motor Box Extension Cord
- 3- Electronic circuit Box - Motor Box Extension Cord

14. ➔ Connect the appliance cables (Fig. 23).

Potential-free relay Your hood is equipped with a potential-free relay that can be connected to an external device (eg decentralized / recyclable). The relay can be found inside the hood or on top of the hood next to the trigger, depending on the model. To make the connection, the following should be followed:

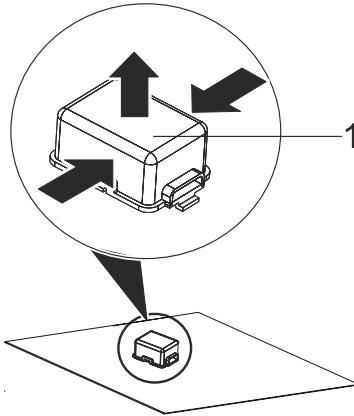


Fig. 24

- 1- Plastic lid

Press the lid in the direction of the arrows and pull up (Fig. 24).

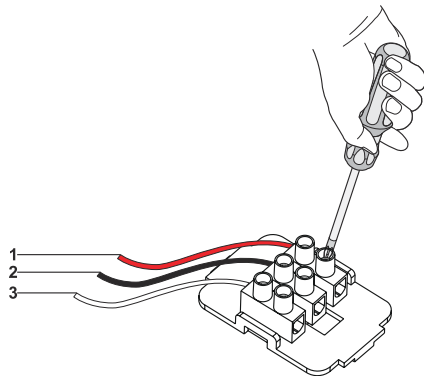


Fig. 25

- 1- Red-NC
- 2- Black-COM
- 3- White-NO

1. **Red-NC** Normally Closed - Normally Closed
2. **Black-COM:** Common - Common connection
3. **White-NO:** Normally Open - Normally Open

Connection Methods:

1. **NC / COM:** When these two connections are used and the hood is switched off, then will the hood give the connected device a constant signal. (Fig. 25).
2. **NO / COM:** When these 2 connections are used and the hood is switched on, then will the hood give the connected device a constant signal. (Fig. 25).

8 USE OF PRODUCT

⚠ CAUTION

This appliance can only be used with a remote control.

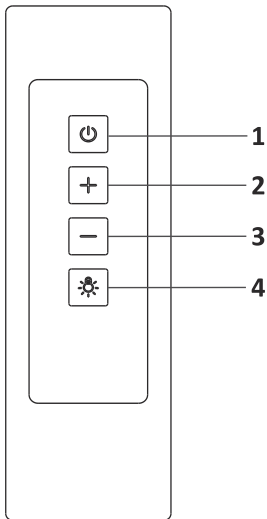


Fig. 26: REMOTE CONTROL

- 1- Motor On/Off
- 2- Increase Speed
- 3- Decrease Speed
- 4- Lighting On/Off

i

Remote control is sold optionally with the product. The product that you bought may have no remote control option.

⚠ CAUTION

- Use only 1.5 V AA and AAA batteries for remote control.
- The battery supplied with the remote control is not chargeable. Do not try to charge it.
- Different type of batteries or used batteries must not be used.
- The batteries must be inserted in the remote control aligned to correct polarity.
- Depleted batteries must be removed from the remote control and must be safely disposed of.
- If you are not going to use the remote control for a long time, remove the batteries inside.
- The remote control must not come in contact with water or moisture. Otherwise the remote control may short circuit and may be rendered unusable.

Replacing the Battery;

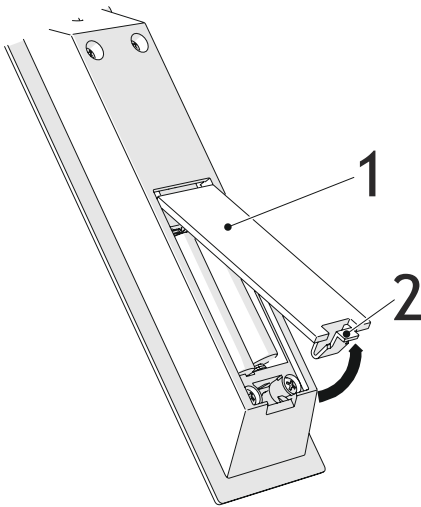


Fig. 27

- 1- Battery Slot Cover
- 2- Battery Slot Cover Lock

Remove the battery slot cover towards arrow direction by pressing on the tab (Fig. 27).

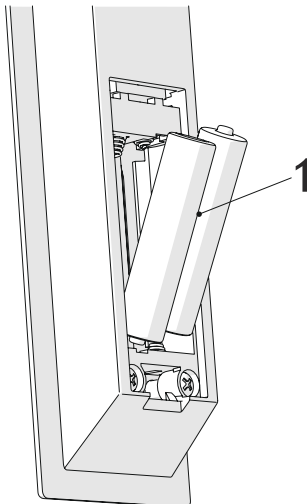


Fig. 28

There are two batteries in your remote control. Pull the batteries by pressing + poles and remove from the battery slot (Fig. 28).

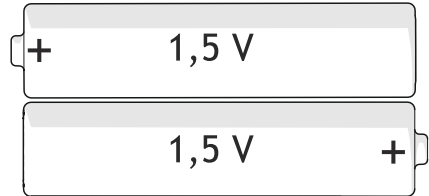


Fig. 29: **REMOTE CONTROL BATTERY PLACEMENT**

When the product is switched to maximum speed while it is operated, a (b) symbol shall be displayed on the screen. *b*' symbol indicates that boost (boost ventilation) mode is active on the model. Product shall operate for 7 minutes in this mode and 'b' symbol shall flash on the screen during this period. After 7 minutes, product shall automatically switch down one speed level and shall resume operation in the lower speed level.



It is not possible to use timer feature in the boost mode.

9 AUTHORIZED SERVICE

If Lighting is Not Functioning:

- Make sure that the plug is plugged in, and that the fuses are intact.
- Check the bulbs. Make sure you unplugged the device before performing this check. Tighten the bulbs if they are loose; you can replace the bulbs if they still don't work.

Possible Faults and Things that You can do Before Calling Technical Service:

A) If the device does not run in any way:

- Check to see if the hood is plugged in or if the plug fits properly into the socket.
- Check the fuse, to which the appliance is connected, as well as the main fuse of your house.

If the device performance is not enough and it creates high noise while running:

- Is the outlet diameter of the appliance's flue adequate? (min.120 mm).
- Are the metal filters clean? Please check.
- If you use the hood without flue, make sure that the carbon filters are not older than 6 months.
- Be attentive to ventilate your kitchen adequately, in order to provide an airflow. If you are still not satisfied with the performance of the appliance, consult the authorized technical service.

Troubleshooting

Fault description	Cause	Remedy
Product Does Not Work	Check the power connection.	Mains voltage must be 220-240 V, and product must be plugged into a grounded socket.
Illumination lamp does not operate	Check the power connection.	Mains voltage must be 220-240 V, and product must be plugged into a grounded socket.
Illumination lamp does not operate	Check the lamp switch.	Lamp switch must be at "on" position.
Illumination lamp does not operate	Check the bulbs.	Bulbs must be operative.
Product's Air Intake is Weak	Check The Aluminium Filter.	The aluminium cartridge filter should be washed once a month under normal conditions.
Product's Air Intake is Weak	Check The Air Outlet Flue.	Air Outlet Flue Must Be Open.
Product's Air Intake is Weak	Check The Carbon Filter.	In products that work with carbon filters, carbon filter must be replaced once in every 3 months under normal conditions.
It Does Not Discharge Air (in flueless use)	Check The Aluminium Filter.	The aluminium cartridge filter should be washed once a month under normal conditions.
It Does Not Discharge Air (in flueless use)	Check The Carbon Filter.	In products that work with carbon filters, carbon filter must be replaced once in every 3 months under normal conditions.